



## PTI40 SERIES

- Adjustable pressure ranges 1 psig to 300 psig
- All ranges are user adjustable from vacuum to full scale with standard on board display
- 4 mA to 20 mA HART® pressure transmitter
- Accuracy  $\pm 0.075\%$  of adjusted span
- 100:1 turn down
- All Stainless Steel construction with 316 Stainless Steel wetted parts
- CE compliant to suppress RFI, EMI and ESD

### APPLICATIONS

- General industrial
- Pulp & paper
- Water & wastewater
- Power generation
- Food & beverage

### SPECIFICATIONS

Output signals	4 mA to 20 mA 2-wire with HART®
Pressure ranges	0.15 psig to 300 psig
Accuracy	$\pm 0.075\%$ of adjusted span (Turn down up to 100:1)
Stability	<0.1%/year
Adjustment	By 1 push button joystick on display or HART® protocol
Response time	<200 ms
Service life	>10 years
Temperature ranges	Media -4 °F to 176 °F (-20 °C to 80 °C) Ambient -4 °F to 158 °F (-20 °C to 70 °C)
Power requirement*	12 Vdc to 36 Vdc
Measuring element	316 Stainless Steel (Hastelloy C or Gold plated optional)
Connection	316 Stainless Steel
Housing material	304 Stainless Steel (316 Stainless Steel optional)
Environmental rating	IP66 (IP68 optional)
Electromagnetic rating	CE compliant to EMC-Directive 2014/30/EU RFI, EMI and ESD protection
Weight	Approximately 6.9 lb.

\* Unregulated



This product can expose you to chemicals including Nickel, which is known to the State of California to cause cancer and birth defects or other reproductive harm. For more information go to [www.P65Warnings.ca.gov](http://www.P65Warnings.ca.gov)

ORDERING INFORMATION		
SERIES	PTI40	
ADJUSTABLE PRESSURE RANGES	1psig Min span 0.15 psi, max span 1 psi	30psig Min span 0.3 psi, max span 30 psi
	6psig Min span 0.15 psi, max span 6 psi <small>psig = gauge pressure All ranges can be user scaled in vacuum or compound.</small>	300psig Min span 3 psi, max span 300 psi
ACCURACY	1 ±0.075% of adjusted span (100:1 turndown)	
OUTPUT SIGNALS	43 4 mA to 20 mA, 2-wire with HART®	
PROCESS CONNECTIONS	81 1/4" NPT female, IEC 61518 flange with bleed valves	
ELECTRICAL CONNECTION	28 1/2" NPT female	
OPTIONS	CC Certified Calibration TC Transparent Cover (for display)	

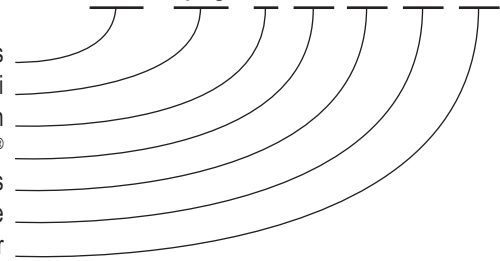
Please consult your local NOSHOK Distributor or NOSHOK, Inc. for availability and delivery information.

NOTE: Manifold and mounting options available, see NOSHOK Valve Product Solutions catalog

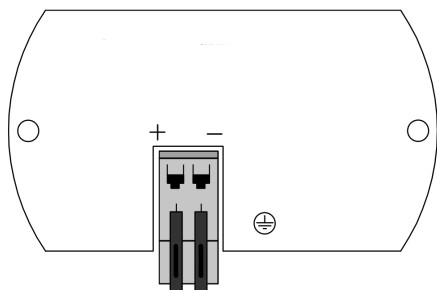
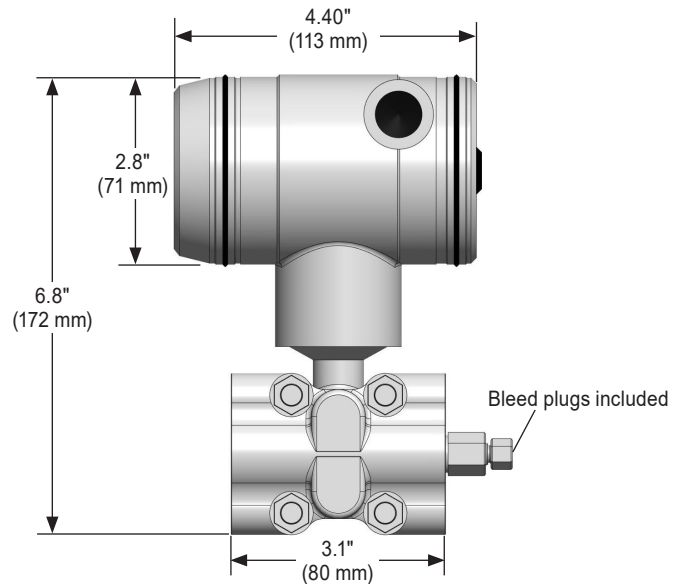
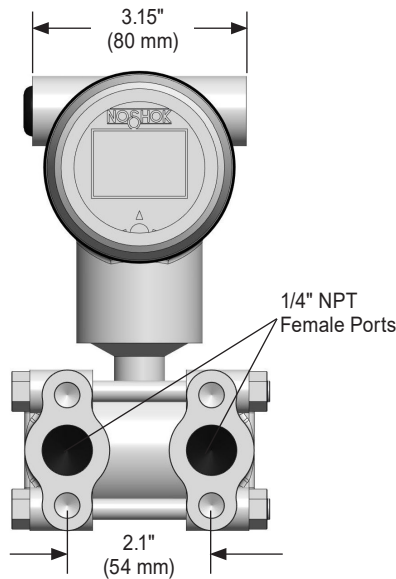
### EXAMPLE

Series ..... PTI40 Series  
 Adjustable pressure range ..... Min span 0.15 psi, max span 6 psi  
 Accuracy ..... ±0.075% of adjusted span  
 Output signal ..... 4 mA to 20 mA, 2-wire with HART®  
 Process connection ..... 1/4" NPT female, IEC 61518 flange with bleed valves  
 Electrical connection ..... 1/2" NPT female  
 Option ..... Transparent Cover

PTI40 - 6psig - 1 - 43 - 81 - 28 - TC



## PTI40



### TERMINAL CONNECTION

1	Voltage supply/Output signal (4 mA to 20 mA)
2	Internal Ground