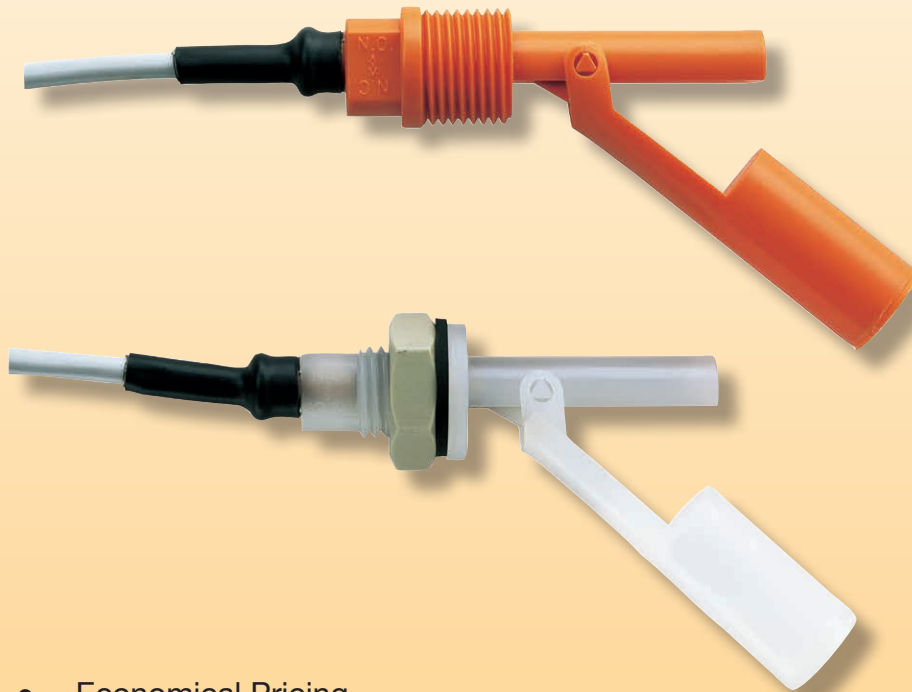


Level Switch



measuring
•
monitoring
•
analyzing

NKP



- Economical Pricing
- Excellent Chemical Resistance
- Compact
- Easy to Install
- Hermetically Sealed Reed Switch
- NEMA 6 Protection
- Ideal for Tanks with Inaccessible Tops or Bottoms



KOBOLD companies worldwide:

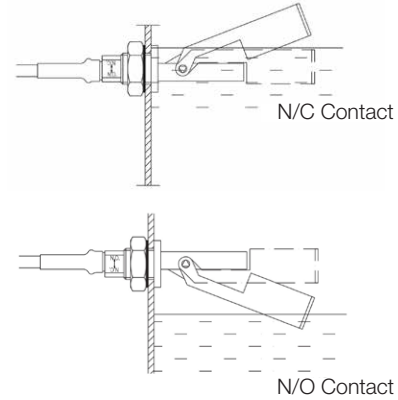
ARGENTINA, AUSTRALIA, AUSTRIA, BELGIUM, BULGARIA, CANADA, CHILE, CHINA, COLOMBIA, CZECH REPUBLIC, EGYPT, FRANCE, GERMANY, HUNGARY, INDIA, INDONESIA, ITALY, MALAYSIA, MEXICO, NETHERLANDS, PERU, POLAND, REPUBLIC OF KOREA, ROMANIA, SINGAPORE, SPAIN, SWITZERLAND, TAIWAN, THAILAND, TUNISIA, TURKEY, UNITED KINGDOM, USA, VIETNAM

KOBOLD Instruments, Inc.
1801 Parkway View Drive
Pittsburgh, PA 15205
☎ Main Office:
1.800.998.1020
1.412.788.4890
✉ info@koboldusa.com
www.koboldusa.com

Description

The KOBOLD NKP is an economical level switch available in polypropylene or PVDF wetted materials allowing for wide compatibility with many aggressive liquids. It is distinguished by its repeatable response, compact size, and high capacity reed switch and is designed for installation into the sidewalls of tanks. The plastic float, containing a magnet, moves as the liquid level rises above or falls below the switchpoint. When the magnet moves close to the reed contact, the switch closes, completing the circuit. The switch function may be changed from normally open to normally closed by merely rotating it 180°. A simple and functional design makes the NKP virtually maintenance free.

Switch Function



Specifications

Materials

- Float:** Polypropylene or PVDF
- Housing:** Polypropylene or PVDF
- Seal (Bulkhead Only)**
- PP:** NBR
- PVDF:** FKM

Connection Fitting: 1/2" NPT, G 1/2 or M16 Bulkhead

Orientation: Horizontal ± 30°

Max. Temperature

- Polypropylene:** 176 °F
- PVDF:** 212 °F

Max. Pressure: 145 PSIG

Min. Liquid Density

- Polypropylene:** 0.6 S.G
- PVDF:** 0.95 S.G.

Reed Switch

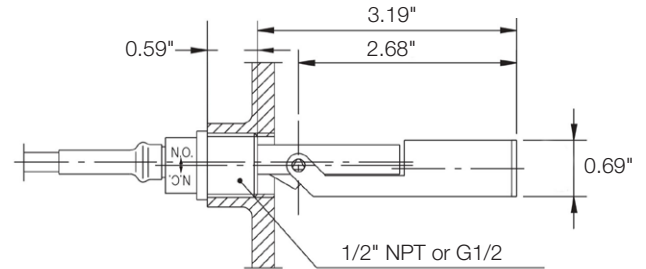
- Max. Voltage:** 230 VAC/VDC
- Max. Current:** 2 A
- Max. Power:** 40 VA

Cable: PVC-clad, AWG 20/2

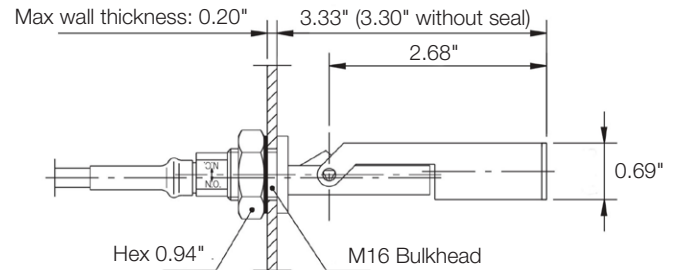
Protection: NEMA 6 / IP68

Dimensions

NPT Fitting



Bulkhead Fitting



Order Details (Example: NKP-25011)

Model	Connection	Housing Material	Cable Length	Option
NKP-	1.. = G 1/2	..401.. = Polypropylene ..501.. = PVDF	..1.. = 1 m	C = cCSAus
	2.. = 1/2" NPT		..1.6.. = 1.6 m	
	6.. = M16 Bulkhead		..3.. = 3 m	
			..6.. = 6 m	
			..10.. = 10 m	
	..Y ¹⁾ .. = Special Length			

¹⁾ Please specify length in clear text (Only for cable lengths > 10 m)