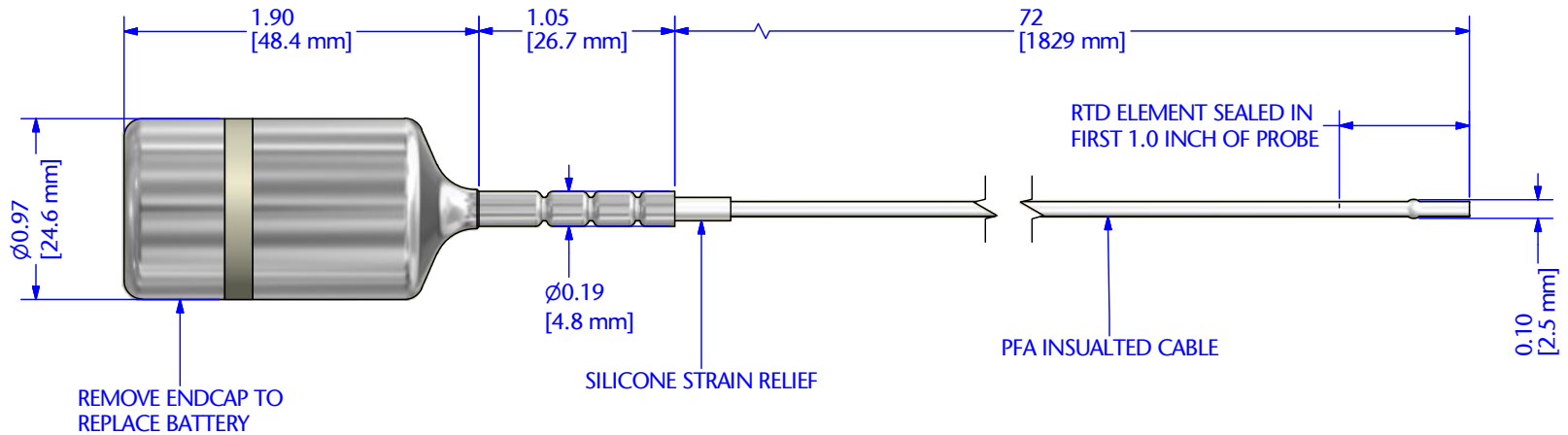


HiTemp140-FP

High Temperature Data Logger Dimension Drawing



Product:

HiTemp140-FP

Scale:

1:1

Materials:

AISI 316 SS
PEEK
PFA

Notes: