

# MX75 – 3” DIGITAL FLOW METERS

SUITABLE FOR FLOW RANGE 5-194 GPM

MX-SERIES FLOW METERS



**MX75F-1SE**  
Aluminium body with LCD register

Output variations:



- B - Ex approved (Ex ia)**  
Intrinsically Safe - NPN
- N - Ex approved (Ex ia)**  
Intrinsically Safe - NAMUR
- T - High Temp. Pulse**  
Max temp- 150°C



- F - ER**  
LCD Display (17mm)
- G- ERA**  
LCD Display (17mm)
- H- ERB**  
LCD Display (17mm)  
Batch controller



- D - PR**  
LCD Display (12mm)
- E - PRA**  
LCD Display (12mm)  
with outputs



- A - Standard Pulse**  
Reel/Hall Effect
- I - Standard Pulse**  
Reel/Reed Effect
- J - Standard Pulse**  
Hall/Hall Effect
- K - High Resolution**  
Hall NPN

The MX75 3" Digital Flow Meters are suitable for flows between 5-194 GPM. The 3" Digital Flow Meters have an accuracy of +/- 0.5% and provides exceptional levels of reliability and durability.

## SPECIFICATIONS

	MX75F		MX75S	
<b>Materials of Construction</b> Meter Body	Cast Aluminium (6061)		Cast Aluminium (6061)	
	Rotor Aluminium (6061)		Aluminium (6061)	
	Seals Fluorocarbon (FKM)		PTFE encapsulated (FEP)	
<b>Design Specifications</b> Process Connections	<b>Threaded</b> 3" G 3" NPT	<b>Flange</b> ANSI CLASS 150 DIN PN16 JIS 10k	<b>Threaded</b> 3" G 3" NPT	<b>Flange</b> ANSI CLASS 150 DIN PN16 JIS 10k
	<b>Technical Specifications</b> Flow rate	<b>&lt;5cP</b> 60-600L/min 17-170USG/min	<b>&gt;5cP</b> 20-733L/min 5-194USG/min	<b>&lt;5cP</b> 60-600L/min 17-170USG/min
Operating Temperature Range*	-40 - 120°C -40 - 248°F		-40 - 120°C -40 - 248°F	
Max. Operating Pressure**	175 psi 12 bar		175 psi 12 bar	
Accuracy	+/- 0.5%		+/- 0.5%	
Repeatability	+/- 0.03%		+/- 0.03%	
Nominal K-Factor	9.76 Pulses/Gallon		9.76 Pulses/Gallon	

\*Temperature based on standard pulse output - subject to change dependant on rotor and output type, contact Macnaught technical support for further investigations

\*\* Pressure rating subject to change as per flange rating

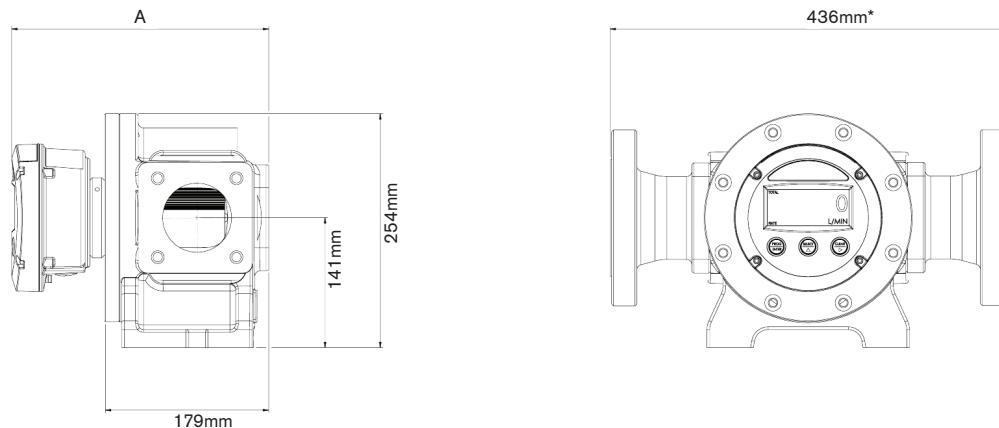
## OUTPUT TYPES

	DESCRIPTION	SWITCH TYPE	OUTPUT TYPE	MX75F	MX75S
X	No Output	-	No Output	●	●
A	Standard Pulse	Reed /Hall (NPN)	Pulse (1m flying lead)	●	●
B	Ex approved (Ex ia)	Hall (NPN)	Pulse (2m DIN cable)	—	●
D	PR (LCD 12mm display)	-	Display 12mm	●	●
E	PRA (LCD 12mm display)	-	Display 12mm, 4-20mA output, Pulse	●	●
F	ER (LCD 17mm display)	-	Display 17mm	●	●
G	ERA (LCD 17mm display)	-	Display 17mm, 4-20mA output, Pulse	●	●
H	ERB (LCD 17mm display)	-	Display 17mm + Batch Control	●	●
N	Ex Approved (Ex ia NAMUR)	NAMUR	Pulse (2m DIN cable)	—	●
T	High Temp. Pulse/erture	Hall (NPN)	Pulse	✗	●
I	Reed/Reed	Reed/Reed	Pulse (1m flying lead)	—	—
J	Hall/Hall	Hall/Hall	Pulse (1m flying lead)	—	—
K	High Resolution (omnipolar)	Hall (NPN)	Pulse (1m flying lead)	—	—

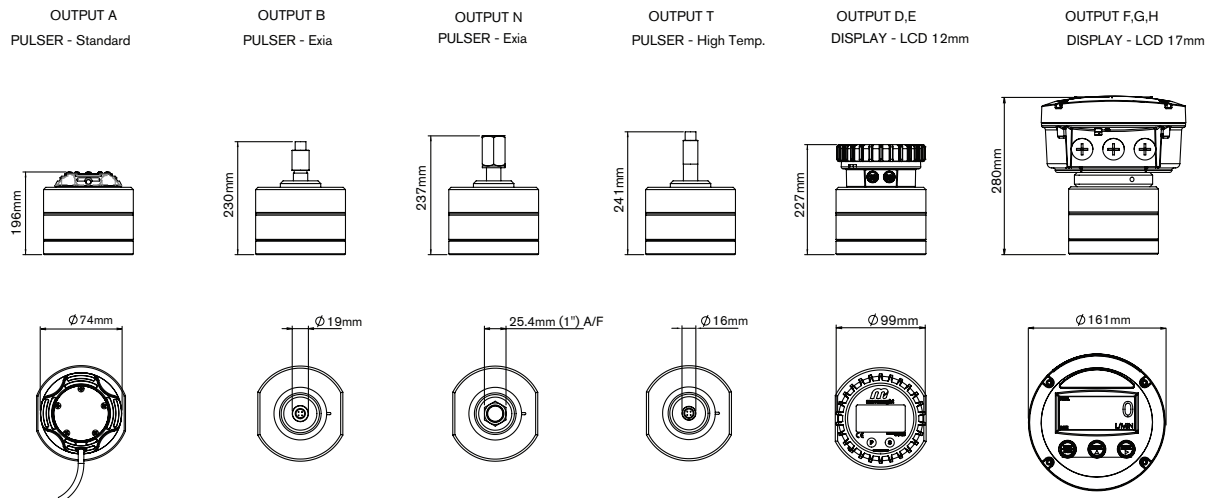
● Available    ✗ Not Available    S Only with stainless steel rotors    — Consult Macnaught Technical regarding availability

MX-SERIES FLOW METERS

## DIMENSIONS



PULSER AND DISPLAY HEIGHT - A



\*Length subject to change refer to appendix B (pg. 74 ) for full dimension variations