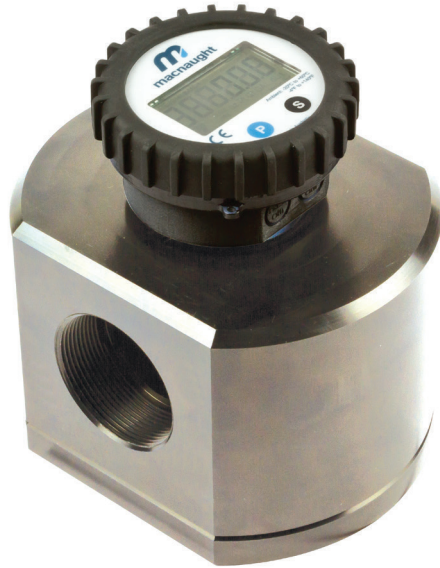


MX50 – 2” DIGITAL FLOW METERS

SUITABLE FOR FLOW RANGE 4-130 GPM

MX-SERIES FLOW METERS



MX50P-1SE
Stainless steel body with LCD register

Output variations:



B - Ex approved (Ex ia)
Intrinsically Safe - NPN
N - Ex approved (Ex ia)
Intrinsically Safe - NAMUR
T - High Temp. Pulse
Max temp- 150°C



F - ER
LCD Display (17mm)
G- ERA
LCD Display (17mm)
H- ERB
LCD Display (17mm)
Batch controller



D - PR
LCD Display (12mm)
E - PRA
LCD Display (12mm)
with outputs



A - Standard Pulse
Reel/Hall Effect
I - Standard Pulse
Reel/Reed Effect
J - Standard Pulse
Hall/Hall Effect
K - High Resolution
Hall NPN

The MX50 2” Digital Flow Meters are suitable for flows between 4-130 GPM. The 2” Digital Flow Meters have an accuracy of +/- 0.5% and provides exceptional levels of reliability and durability.

SPECIFICATIONS

	MX50F		MX50S		MX50P	
Materials of Construction Meter Body	Aluminium (6061)		Aluminium (6061)		Stainless Steel (316)	
	Rotor		Aluminium (6061)		PPS Stainless Steel (316)	
	Seals		PTFE encapsulated (FEP)		PTFE encapsulated (FEP)	
Design Specifications Process Connections	Threaded	Flange	Threaded	Flange	Threaded	Flange
	2” G 2” NPT	ANSI CLASS 150 DIN PN16 JIS 10k	2” G 2” NPT	ANSI CLASS 150 DIN PN16 JIS 10k	2” G 2” NPT	ANSI CLASS 150 DIN PN16 JIS 10k
Technical Specifications Flow rate	<5cP	>5cP	<5cP	>5cP	<5cP	>5cP
	15-500L/min 4-130 USG/min	15-500L/min 4-130 USG/min	15-500L/min 4-130 USG/min	15-500L/min 4-130 USG/min	15-500L/min 4-130 USG/min	15-500L/min 4-130 USG/min
Operating Temperature Range*	-40 - 80°C -40 - 176°F		-40 - 120°C -40 - 248°F		-40 - 80°C (150°C with high temp. rotors) -40 - 176°F (302°F with high temp. rotors)	
Max. Operating Pressure**	1200 psi 82 Bar		1200 psi 82 Bar		1200 psi 82 Bar	
Accuracy	+/- 0.5%		+/- 0.5%		+/- 0.5%	
Repeatability	+/- 0.03%		+/- 0.03%		+/- 0.03%	
Nominal K-Factor	25.29 Pulses/Gallon		25.29 Pulses/Gallon		25.29 Pulses/Gallon	

*Temperature based on standard pulse output - subject to change dependant on rotor and output type, contact Macnaught technical support for further investigations

** Pressure rating subject to change as per flange rating

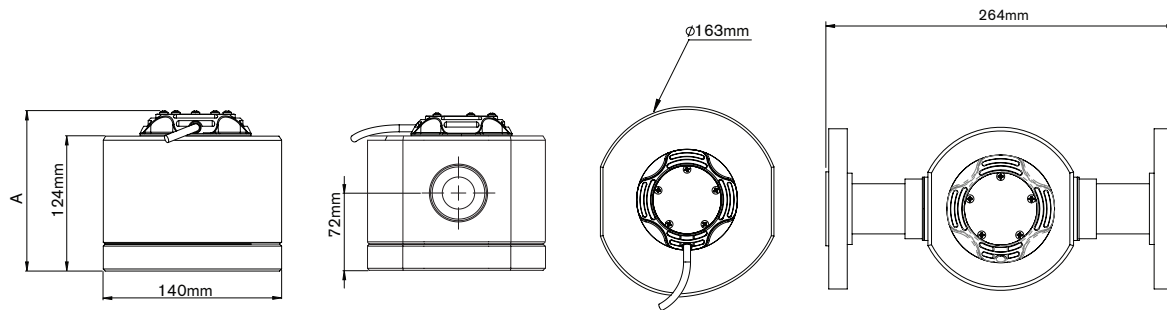
OUTPUT TYPES

	DESCRIPTION	SWITCH TYPE	OUTPUT TYPE	MX50F	MX50S	MX50P
X	No Output	-	No Output	●	●	●
A	Standard Pulse	Reed /Hall (NPN)	Pulse (1m flying lead)	●	●	●
B	Ex approved (Ex ia)	Hall (NPN)	Pulse (2m DIN cable)	—	●	●
D	PR (LCD 12mm display)	-	Display 12mm	●	●	●
E	PRA (LCD 12mm display)	-	Display 12mm, 4-20mA output, Pulse	●	●	●
F	ER (LCD 17mm display)	-	Display 17mm	●	●	●
G	ERA (LCD 17mm display)	-	Display 17mm, 4-20mA output, Pulse	●	●	●
H	ERB (LCD 17mm display)	-	Display 17mm + Batch Control	●	●	●
N	Ex Approved (Ex ia NAMUR)	NAMUR	Pulse (2m DIN cable)	—	●	●
T	High Temp. Pulse/erture	Hall (NPN)	Pulse	✗	S	S
I	Reed/Reed	Reed/Reed	Pulse (1m flying lead)	—	—	—
J	Hall/Hall	Hall/Hall	Pulse (1m flying lead)	—	—	—
K	High Resolution (omnipolar)	Hall (NPN)	Pulse (1m flying lead)	—	—	—

● Available ✗ Not Available S Only with stainless steel rotors — Consult Macnaught Technical regarding availability

MX-SERIES FLOW METERS

DIMENSIONS



PULSER AND DISPLAY HEIGHT - A

