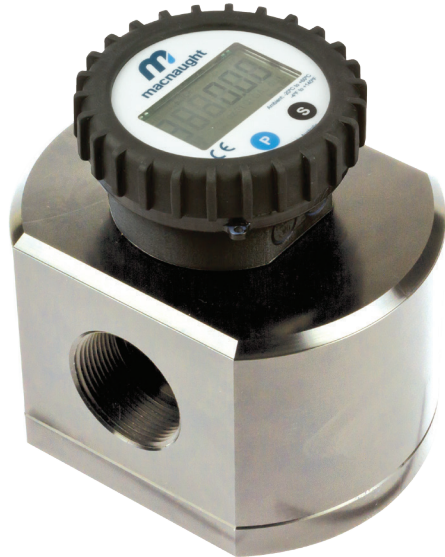


MX40 – 1 1/2" DIGITAL FLOW METERS

SUITABLE FOR FLOW RANGE 2.6-66 GPM

MX-SERIES FLOW METERS



MX40P-1SE
Stainless steel body with LCD register

Output variations:



- B - Ex approved (Ex ia)**
Intrinsically Safe - NPN
- N - Ex approved (Ex ia)**
Intrinsically Safe - NAMUR
- T - High Temp. Pulse**
Max temp- 150°C



- F - ER**
LCD Display (17mm)
- G- ERA**
LCD Display (17mm)
- H- ERB**
LCD Display (17mm)
Batch controller



- D - PR**
LCD Display (12mm)
- E - PRA**
LCD Display (12mm)
with outputs



- A - Standard Pulse**
Reel/Hall Effect
- I - Standard Pulse**
Reel/Reed Effect
- J - Standard Pulse**
Hall/Hall Effect
- K - High Resolution**
Hall NPN

The MX40 1 1/2" Digital Flow Meters are suitable for flows between 2.6-66 GPM. The 1 1/2" Digital Flow Meters have an accuracy of +/- 0.5% and provides exceptional levels of reliability and durability.

SPECIFICATIONS

	MX40F		MX40S		MX40P	
Materials of Construction Meter Body	Aluminium (6061)		Aluminium (6061)		Stainless Steel (316)	
	PPS		Aluminium (6061)		PPS Stainless Steel (316)	
	Fluorocarbon (FKM)		PTFE encapsulated (FEP)		PTFE encapsulated (FEP)	
Design Specifications Process Connections	Threaded 1 1/2" G 1 1/2" NPT	Flange ANSI CLASS 150 DIN PN16 JIS 10k	Threaded 1 1/2" G 1 1/2" NPT	Flange ANSI CLASS 150 DIN PN16 JIS 10k	Threaded 1 1/2" G 1 1/2" NPT	Flange ANSI CLASS 150 DIN PN16 JIS 10k
	Technical Specifications Flow rate	<5cP 15-235L/min 4-62USG/min	>5cP 10-250L/min 2.6-66USG/min	<5cP 15-235L/min 4-62USG/min	>5cP 10-250L/min 2.6-66USG/min	<5cP 15-235L/min 4-62USG/min
Operating Temperature Range*	-40 - 80°C -40 - 176°F		-40 - 120°C -40 - 248°F		-40 - 80°C (150°C with high temp. rotors) -40 - 176°F (302°F with high temp. rotors)	
Max. Operating Pressure**	1500 psi 103 Bar		1500 psi 103 Bar		1500 psi 103 Bar	
Accuracy	+/- 0.5%		+/- 0.5%		+/- 0.5%	
Repeatability	+/- 0.03%		+/- 0.03%		+/- 0.03%	
Nominal K-Factor	54.89 Pulses/Gallon		54.89 Pulses/Gallon		54.89 Pulses/Gallon	

*Temperature based on standard pulse output - subject to change dependant on rotor and output type, contact Macnaught technical support for further investigations

** Pressure rating subject to change as per flange rating

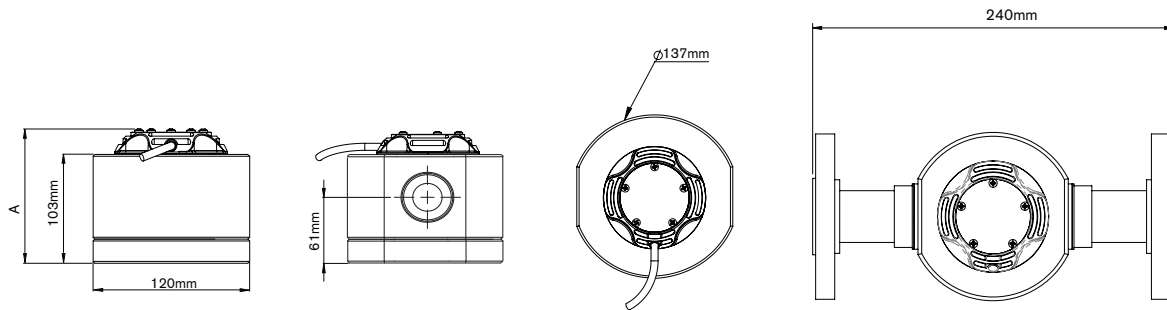
OUTPUT TYPES

	DESCRIPTION	SWITCH TYPE	OUTPUT TYPE	MX40F	MX40S	MX40P
X	No Output	-	No Output	●	●	●
A	Standard Pulse	Reed /Hall (NPN)	Pulse (1m flying lead)	●	●	●
B	Ex approved (Ex ia)	Hall (NPN)	Pulse (2m DIN cable)	—	●	●
D	PR (LCD 12mm display)	-	Display 12mm	●	●	●
E	PRA (LCD 12mm display)	-	Display 12mm, 4-20mA output, Pulse	●	●	●
F	ER (LCD 17mm display)	-	Display 17mm	●	●	●
G	ERA (LCD 17mm display)	-	Display 17mm, 4-20mA output, Pulse	●	●	●
H	ERB (LCD 17mm display)	-	Display 17mm + Batch Control	●	●	●
N	Ex Approved (Ex ia NAMUR)	NAMUR	Pulse (2m DIN cable)	—	●	●
T	High Temp. Pulse/erture	Hall (NPN)	Pulse	✘	S	S
I	Reed/Reed	Reed/Reed	Pulse (1m flying lead)	—	—	—
J	Hall/Hall	Hall/Hall	Pulse (1m flying lead)	—	—	—
K	High Resolution (omnipolar)	Hall (NPN)	Pulse (1m flying lead)	—	—	—

● Available ✘ Not Available S Only with stainless steel rotors — Consult Macnaught Technical regarding availability

MX-SERIES FLOW METERS

DIMENSIONS



PULSER AND DISPLAY HEIGHT - A

OUTPUT A OUTPUT B OUTPUT N OUTPUT T OUTPUT D,E OUTPUT F,G,H
PULSER - Standard PULSER - Exia PULSER - Exia PULSER - High Temp. DISPLAY - LCD 12mm DISPLAY - LCD 17mm

