

MX100 – 4” DIGITAL FLOW METERS

SUITABLE FOR FLOW RANGE 31.7-317 GPM



MX100F-1SE
Aluminium steel body with LCD register

Output variations:



- B - Ex approved (Ex ia)**
Intrinsically Safe - NPN
- N - Ex approved (Ex ia)**
Intrinsically Safe - NAMUR
- T - High Temp. Pulse**
Max temp- 150°C



- F - ER**
LCD Display (17mm)
- G- ERA**
LCD Display (17mm)
- H- ERB**
LCD Display (17mm)
Batch controller



- D - PR**
LCD Display (12mm)
- E - PRA**
LCD Display (12mm)
with outputs



- A - Standard Pulse**
Reel/Hall Effect
- I - Standard Pulse**
Reel/Reed Effect
- J - Standard Pulse**
Hall/Hall Effect
- K - High Resolution**
Hall NPN

The MX100 4” Digital Flow Meter are suitable for flows between 31.7-317 GPM. The 4” Digital Flow Meters have an accuracy of +/- 0.5% and provides exceptional levels of reliability and durability.

SPECIFICATIONS

	MX100F		MX100S	
Materials of Construction Meter Body Rotor Seals	Cast Aluminium (6061)		Cast Aluminium (6061)	
	Aluminium (6061)		Aluminium (6061)	
	Fluorocarbon (FKM)		PTFE encapsulated (FEP)	
Design Specifications Process Connections	Threaded 3" G 3" NPT	Flange ANSI CLASS 150 DIN PN16 JIS 10k	Threaded 3" G 3" NPT	Flange ANSI CLASS 150 DIN PN16 JIS 10k
Technical Specifications Flow rate Operating Temperature Range* Max. Operating Pressure** Accuracy Repeatability Nominal K-Factor	<5cP 220-1000L/min 60-250USG/min	>5cP 120-1200L/min 31.7-317USG/min	<5cP 220-1000L/min 60-250USG/min	>5cP 120-1200L/min 31.7-317USG/min
	-40 - 120°C -40 - 248°F		-40 - 120°C -40 - 248°F	
	175 psi 12 bar		175 psi 12 bar	
	+/- 0.5%		+/- 0.5%	
	+/- 0.03%		+/- 0.03%	
	8.71 Pulses/Gallon		8.71 Pulses/Gallon	

*Temperature based on standard pulse output - subject to change dependant on rotor and output type, contact Macnaught technical support for further investigations

** Pressure rating subject to change as per flange rating

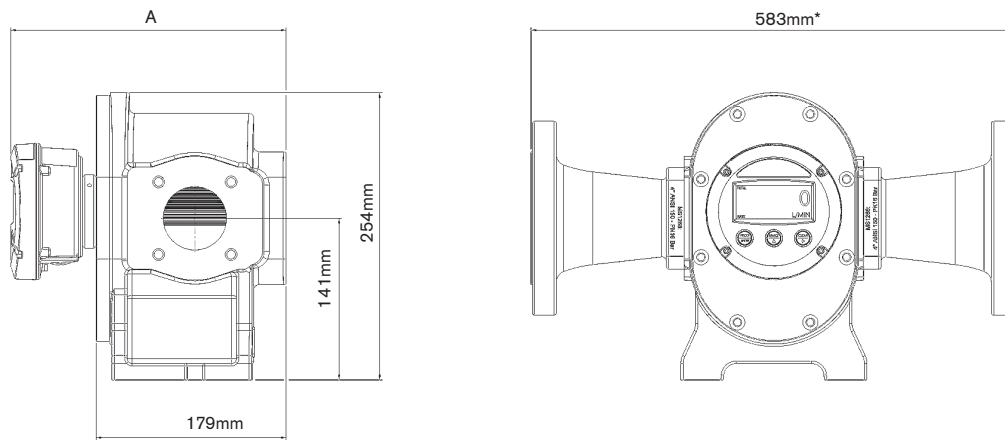
OUTPUT TYPES

	DESCRIPTION	SWITCH TYPE	OUTPUT TYPE	MX100F	MX100S
X	No Output	-	No Output	●	●
A	Standard Pulse	Reed /Hall (NPN)	Pulse (1m flying lead)	●	●
B	Ex approved (Ex ia)	Hall (NPN)	Pulse (2m DIN cable)	—	●
D	PR (LCD 12mm display)	-	Display 12mm	●	●
E	PRA (LCD 12mm display)	-	Display 12mm, 4-20mA output, Pulse	●	●
F	ER (LCD 17mm display)	-	Display 17mm	●	●
G	ERA (LCD 17mm display)	-	Display 17mm, 4-20mA output, Pulse	●	●
H	ERB (LCD 17mm display)	-	Display 17mm + Batch Control	●	●
N	Ex Approved (Ex ia NAMUR)	NAMUR	Pulse (2m DIN cable)	—	●
T	High Temp. Pulse/erture	Hall (NPN)	Pulse	✗	●
I	Reed/Reed	Reed/Reed	Pulse (1m flying lead)	—	—
J	Hall/Hall	Hall/Hall	Pulse (1m flying lead)	—	—
K	High Resolution (omnipolar)	Hall (NPN)	Pulse (1m flying lead)	—	—

● Available ✗ Not Available S Only with stainless steel rotors — Consult Macnaught Technical regarding availability

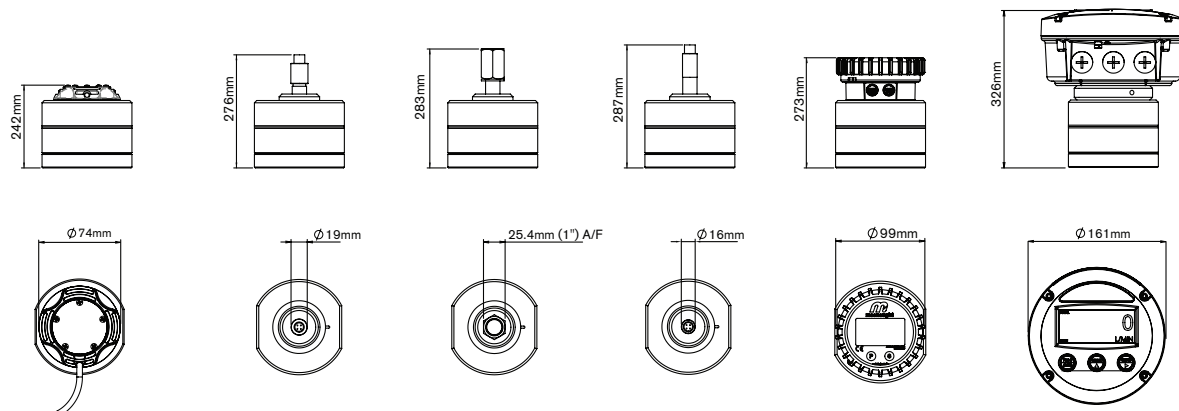
MX-SERIES FLOW METERS

DIMENSIONS



PULSER AND DISPLAY HEIGHT - A

OUTPUT A OUTPUT B OUTPUT N OUTPUT T OUTPUT D,E OUTPUT F,G,H
PULSER - Standard PULSER - Exia PULSER - Exia PULSER - High Temp. DISPLAY - LCD 12mm DISPLAY - LCD 17mm



*Length subject to change refer to appendix B (pg. 74) for full dimension variations