

| |
|-----------|
| IM217P-MC |
| 0312 |
| 0002 |

POSITIVE DISPLACEMENT FLOWMETER - IM019P (PULSE)

INSTRUCTION MANUAL



To the Owner

PLEASE READ THIS INFORMATION CAREFULLY BEFORE USE.

Read and retain this instruction manual to assist you in the operation and maintenance of this product.

If you have any problems with the meter, refer to the maintenance and trouble shooting sections of this manual.

This manual contains connection and operating instructions for meters with Pulse outputs.

If you need further assistance, please contact your local representative or distributor for advice.

This Flow Meter has incorporated the oval rotor principal into its design. This has proven to be a reliable and highly accurate method of measuring flow.

Exceptional repeatability and high accuracy over a wide range of fluid viscosities and flow rates are features of the oval rotor design. With a low pressure drop and high pressure rating oval rotor flow meters are suitable for both gravity and pump (in line) applications.

Important Information



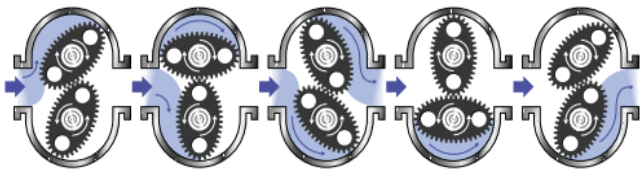
WARNING

Before use, confirm the fluid to be used is compatible with the meter. Refer to Industry fluid compatibility charts or consult your local representative for advice.

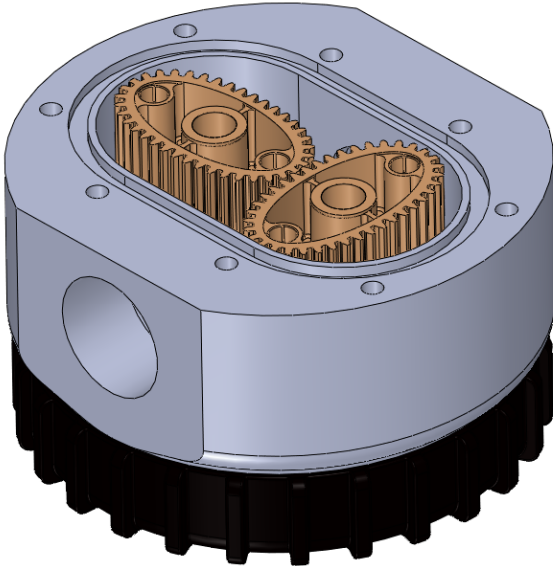
Operating Principle

When fluid passes through the meter the rotors turn, as shown below. The magnets which are located in the rotors will pass across the PCB sensors.

A signal is generated which is then sent by the PCB to the relevant LCD, or receiving instrument as a Pulse Output.



Maintenance Procedures.



Disassembly

Ensure that the fluid supply to the meter is disconnected, and the line pressure is released before disassembly, with the exception for repair or maintenance to the PCB where it is not necessary to isolate the meter from flow. Refer to the exploded parts diagram on subsequent pages for item numbers.

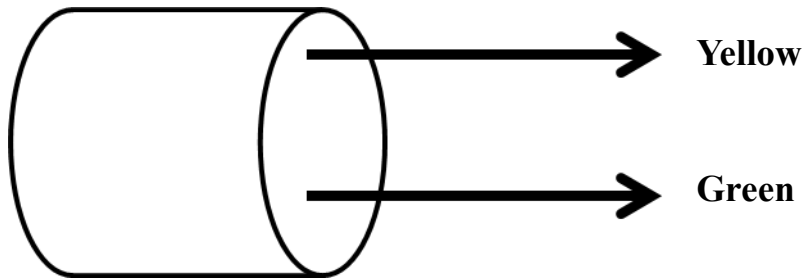
1. Unscrew the four retaining screws (item 1) and remove the Electronic Module (item 2)
2. Check for evidence of moisture into the electronic housing. If there is evidence of this check the condition of the O-Ring (item 3)
3. To access the Rotor assembly, remove the 8 Meter Cap screws (item 8)
4. Remove the rotors (item 5) and inspect the condition of each.
Also investigate if there is the presence of any foreign material in the meter body, that may inhibit the rotors performance

Reassembly

1. Please note, the design of the rotor and shaft assembly ensures that the rotors can only be re-installed with the correct orientation. (i.e. with the magnets being in close proximity to the Electronic module).
When replacing the rotors the top face of the rotors should be flush with the sealing face of the meter body. If the sit higher than the sealing face remove, turn over and replace.
2. Replace the rotors (Item 5) onto the shafts at 90 degrees to each other (as per diagram on the left) and check their operation by turning either of the rotors.
If the rotors are not 'in mesh' correctly or do not move freely, remove one of the rotors and replace
3. Check the Rotors (item 5) rotate freely.
4. Replace the O-Ring (item 6) into the groove of the Meter Cap (item 7).
5. Replace the Meter Cap onto Meter Body (item 4) Tighten Meter Cap screws (item 8) in a diagonal sequence
E.g. 1, 5, 3, 7, 4, 8, 6, 2
6. Replace the O-Ring (item 3) into the Electronic Module (item 2) and mount the Electronic module onto to the Meter Body
7. Replace and tighten the Retaining Screws (item 1) in diagonal sequence.
8. Before returning to service test the meter by turning the Rotors with your finger. Or applying a very low air pressure (no more than a good breath) to the meter

Reed Switch

Please Note: Not dependant on Polarity



Product Specifications

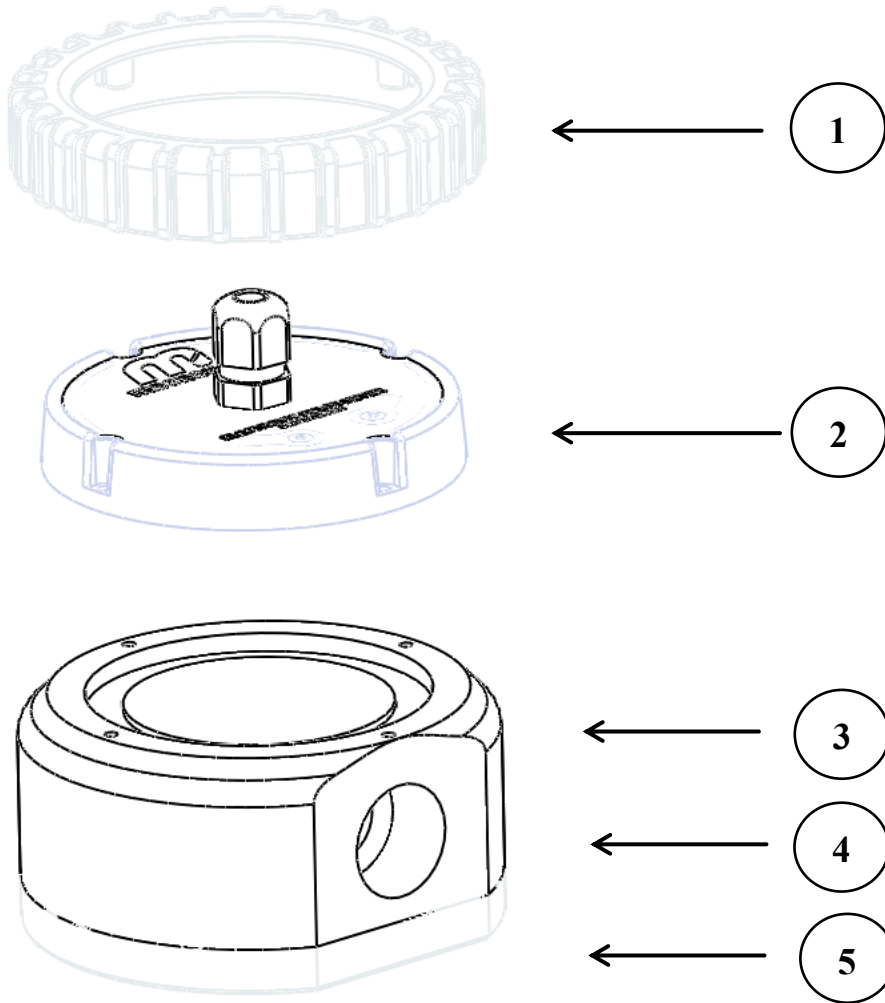
| | |
|---------------------------|----------------------------------|
| *Accuracy | +/- 0.5% of reading |
| Type | Oval Gear |
| Flow rate | 3 – 80 L/m 0.8– 21.1 US Gal/m |
| Maximum Pressure | 10342 kPa 1500 PSI 103 Bar |
| Re-settable 'Batch' Total | 99999.9 |
| Non- Re-settable 'Total' | 999999 |
| Maximum Viscosity | 1000 Cp (Centipoise) |
| Maximum Temperature | 80 Deg C / 131 Deg F |
| Minimum Temp | -14 Deg C / 6.8 Deg F |
| 'K' Factor | 54.6 / Litre (206.6835 US Gal) |

* When tested with lubrication oil 100 @ 25°C. Allowances should be made for changes to these parameters.

Troubleshooting Guide

| Problem | Cause | Remedy |
|-----------------------------------|--|--|
| Fluid will not flow through meter | a) Foreign matter blocking rotors b) Damaged rotors c) Meter connections over tightened d) Fluid is too viscous | a) Dismantle meter, clean rotors b) Replacement rotor assembly required. c) Re-adjust connections d) See specifications for maximum viscosity |
| Reduced flow through meter | a) Partially blocked b) Fluid is too viscous | a) Check and clean meter. b) See specifications for maximum viscosity |
| Meter reading inaccurate | a) Fluid flow rate is too high or too low b) Air in fluid. c) Excess wear. | a) See specifications for minimum and maximum flow rates b) Bleed air from system c) Check meter body and rotors. (see instructions) |
| Meter not giving a pulse signal | a) Faulty reed switch b) Magnets failed | a) Replace PCB Board b) Replacement rotor assembly required |
| | | |

Exploded Diagram



Parts Identification

| Item No. | Part Description | Wetted Parts |
|-----------------|--------------------------------|--------------------------------|
| 1 | Protective boot | - |
| 2 | Electronic Module—Pulse output | - |
| 3 | Meter Body (assembly) | 6061 T6 Aluminium |
| 4 | O-Ring | Nitrile Butadiene Rubber (NBR) |
| 5 | Rotor set | Ultem 1000 |

Spare Part Codes

| | Component | Description |
|--|--------------------|--------------------------|
| <i>To order a replacement Electronic Module please contact your Macnaught representative</i> | Electronic Modules | Module with Pulse output |
| | | Module Reed Switch |
| | | |

Meter Dimensions (mm)





Macnaught Pty Limited

ABN 66 000 075 785

41-49 Henderson Street
Turrella NSW 2205 Sydney Australia
Postal Address PO Box 90
Amcliffe NSW 2205 Sydney Australia

T: +61 2 9567 0401

F: +61 2 9597 7773

W: www.macnaught.com.au