

MTL 9492-PS-PLUS

intrinsically safe power supply



This page left intentionally blank

CONTENTS

- 1 FEATURES 1**
- 2 DESCRIPTION 1/2**
- 3 DIN-RAIL INSTALLATION METHOD 3**
 - 3.1 Protection of equipment3**
 - 3.2 DIN rail mounting3**
 - 3.2.1 Mounting power supplies on DIN rail4
 - 3.2.2 Wiring up power supplies.....4
 - 3.2.3 Ambient temperature considerations5
 - 3.3 Power bus - Installation and use5**
 - 3.4 Earth rail and tagging accessories6**
 - 3.4.1 Parts list6
 - 3.5 Assembly8**
 - 3.5.1 Fitting earth rails8
 - 3.5.2 Fitting tagging strips8
 - 3.5.3 Completed assemblies9
- 4 BACKPLANE MOUNTING VARIANT 10**
 - 4.1 Accessories10**
 - 4.2 Protection of equipment10**
 - 4.3 Backplane mounting10**
 - 4.3.1 Surface mounting – with kit SMS0112
 - 4.3.2 T- or G-section DIN-rail mounting –with kit DMK0112
 - 4.4 Backplanes – identification and tagging12**
 - 4.4.1 Backplane identification labels.....12
 - 4.4.2 Tagging strip mounting kit (TSK08)12
 - 4.5 Backplanes - earth rails14**
 - 4.5.1 Earth rail kit (ERK08)14
 - 4.6 Backplanes – power supply connections14**
 - 4.6.1 Single backplane14
 - 4.6.2 Interconnection of power supplies for multiple backplanes.....14
 - 4.7 Fitting MTL 9492-PS-PLUS modules to backplane14**
 - 4.7.1 Installation- Figure 4.15.....14
 - 4.7.2 Module removal- Figure 4.1614
- 5 ENVIRONMENTAL 16**
- 6 WASTE REMOVAL INFORMATION 16**
- 7 APPROVALS 16**
- 8 ATEX & IECEX CERTIFICATION INFORMATION 17/18**
- 9 APPENDIX A - DECLARATION OF CONFORMITY 19/20**

GENERAL SAFETY INFORMATION

Safety instructions for installation and operating personnel

The operating instructions provided here contain **essential safety instructions** for installation personnel and those engaged in the operation, maintenance and servicing of the equipment.



WARNING !

A 'WARNING' marked in this way is provided for operator and plant safety and **MUST** be followed.

CAUTION !

A Caution is provided to prevent damage to the instrument.

NOTE

These are used to guide the user in the operation of the instrument.

Before commencing installation or commissioning:

- Read and understand the contents of this manual
- Ensure installation and operating personnel have received adequate training for this task
- Ensure that any operating instructions are fully understood by the personnel responsible.
- Observe national and local installation and mounting regulations (e.g. IEC 60079-14).



WARNING !

These assemblies may not be used in explosion-hazard area applications if they have been used previously in general electrical installations.



WARNING !

The responsibility for planning, installation, commissioning, operation and maintenance, particularly with respect to applications in explosion-hazard areas, lies with the plant operator.

During operation:

- Make the relevant instructions available at all times to the operating personnel.
- Observe safety instructions.
- Observe national safety and accident prevention regulations.
- Operate the equipment within its published specification.
- Servicing, maintenance work or repairs not described in this manual must not be performed without prior agreement with the manufacturer.
- Any damage to this equipment may render its explosion protection null and void.
- No changes to any of the components that might impair their explosion protection are permitted.

If any information provided here is not clear:

Contact **Eaton** or an authorised MTL distributor or sales office.

NOTE

Improper installation and operation of the enclosure can result in the invalidation of the guarantee.

MTL 9492-PS-PLUS IS Power Supply



1 FEATURES

- Isolated power supply
- Zone 2 mountable
- DIN-rail or backplane mounting
- ATEX / IECEx approvals
- 480mA @ 10.0V DC- Ex ia IIB output
- 550mA @ 11.9V DC- Ex ib IIB output
- Power over Ethernet option (PoEx)*
- Multiple outputs achieved by ganging MTL 9492-PS-PLUS modules using 24V DC power distribution backplane

**Note – PoEx is a simple adaptation of the IEEE 802.3af Power over Ethernet (PoE) standard to bring the benefits to the 9400 Range of Hazardous Area devices. This allows two spare pairs in the existing Cat5e cable to distribute the power supplied to a 9466 Ethernet Switch (Power Sourcing Equipment – PSE) to each of the devices connected to its five ports (PD – Powered Device). This adaptation is necessary due to restrictions for Hazardous Area use. It is not implied that the device conforms to the 802.3af (PoE) standard.*

2 DESCRIPTION

The MTL 9492-PS-PLUS Power Supply is the recommended method for supplying the MTL 9460-ET series of intrinsically safe Ethernet modules and is based on an isolating power supply. It takes a 24V DC safe area / Zone 2 supply and produces an intrinsically safe, 12V DC nominal output capable of powering any one of the MTL 94xx Series Ethernet modules mounted in a Zone 1 hazardous area. The MTL 9492-PS-PLUS may be mounted in a safe area, Zone 2 hazardous area.

The output can be from either the Ex ia IIB or Ex ib IIB output connectors depending upon application. The 'ib' IIB output providing a higher useable output power where the Gas Group and Zone allows. See Figures 2.1 and 2.2 for connection details.

Figure 2.1
Zone 0
Ex ia IIB
application

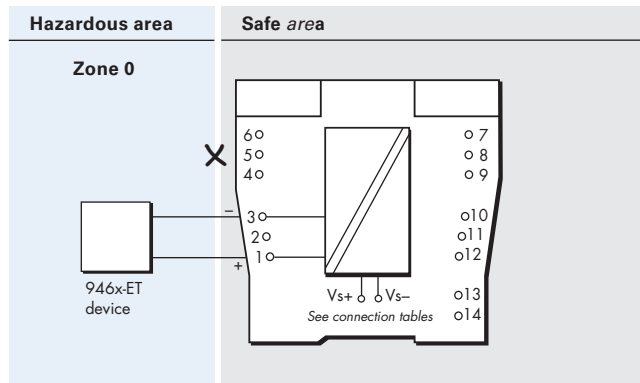


Figure 2.2
Zone 1
Ex ib IIB
application

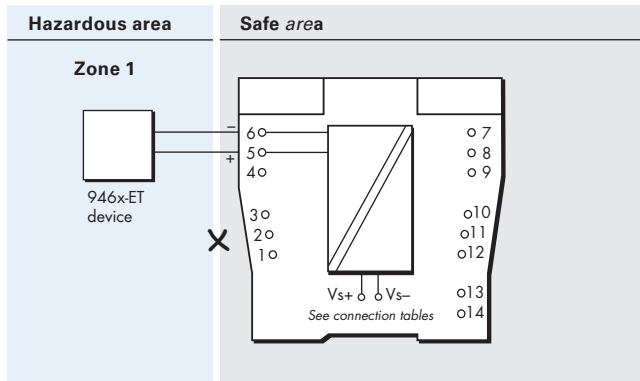


Table 2.1
DIN-rail
mounting
connections

Terminal	Function
1	Ex ia IIB output +ve
2	n.c.
3	Ex ia IIB output -ve
4	n.c.
5	Ex ib IIB Output +ve
6	Ex ib IIB Output -ve
13	Supply -ve (Vs-)
14	Supply +ve (Vs+)

Table 2.2
Backplane
mounting
connections

Terminal	Function
1	Ex ia IIB output +ve
2	n.c.
3	Ex ia IIB output -ve
4	n.c.
5	Ex ib IIB Output +ve
6	Ex ib IIB Output -ve
7, 8 & 9	Supply -ve (Vs-)
10, 11 & 12	Supply +ve (Vs+)

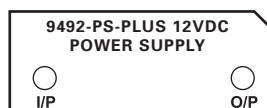
Each MTL 9492-PS-PLUS can power a single MTL 946x-ET Ethernet module.

It is not permitted to connect to both ia and ib outputs on the same MTL 9492-PS-PLUS module.

If multiple outputs are required for several Ethernet modules, there is a power distribution backplane available to simplify the 24VDC input connection to the modules, or alternatively a number of them can be DIN-rail mounted with a convenient "Powerbus" input.


The MTL 9492-PS-PLUS module has LED power indication for both input and output (see Figure 2.3) along with internal current limiting and electronic auto-reset circuit breaker action to protect the module in the event of its output being short circuited or overloaded. This also minimises the power dissipation during the fault to a negligible level, thus improving reliability.

Figure 2.3
MTL 9492-PS-PLUS
top label and
LED indicators



3 DIN-RAIL INSTALLATION METHOD


This section deals with mounting the individual MTL 9492-PS-PLUS power supplies on DIN rail, for backplane mounting see **Section 4**.

	<p>WARNING !</p> <p>If this module is to be connected to intrinsically safe apparatus, it must be installed, operated and maintained only by trained competent personnel and in accordance with all appropriate international, national and local standard codes of practice and site regulation and in accordance with the instructions contained here.</p>
---	---

See also Sections 7, 8 and 9 for approvals and important conditions of safe use.

3.1 Protection of equipment

When the power supply is mounted in a safe area ensure that the local environment is clean and free of dirt and dust and note the ambient temperature considerations given in Section 5.

	<p>WARNING !</p> <p>When mounted in a Zone 2 hazardous area the module <i>must</i> be protected by a suitably certified enclosure.</p>
---	---

3.2 DIN rail mounting

Mount the MTL 9492-PS-PLUS power supplies on low-profile (7mm) or high-profile (15mm) type T35 (top-hat) DIN-rail to EN50022, BS5584, DIN46277; this is available from MTL, in 1 metre lengths (THR2 DIN rail). It is recommended that, in normal practice, the DIN rail is earthed to ensure personnel safety in the event of mains being put accidentally on the rail.

See Figure 3.1 for power supply dimensions.

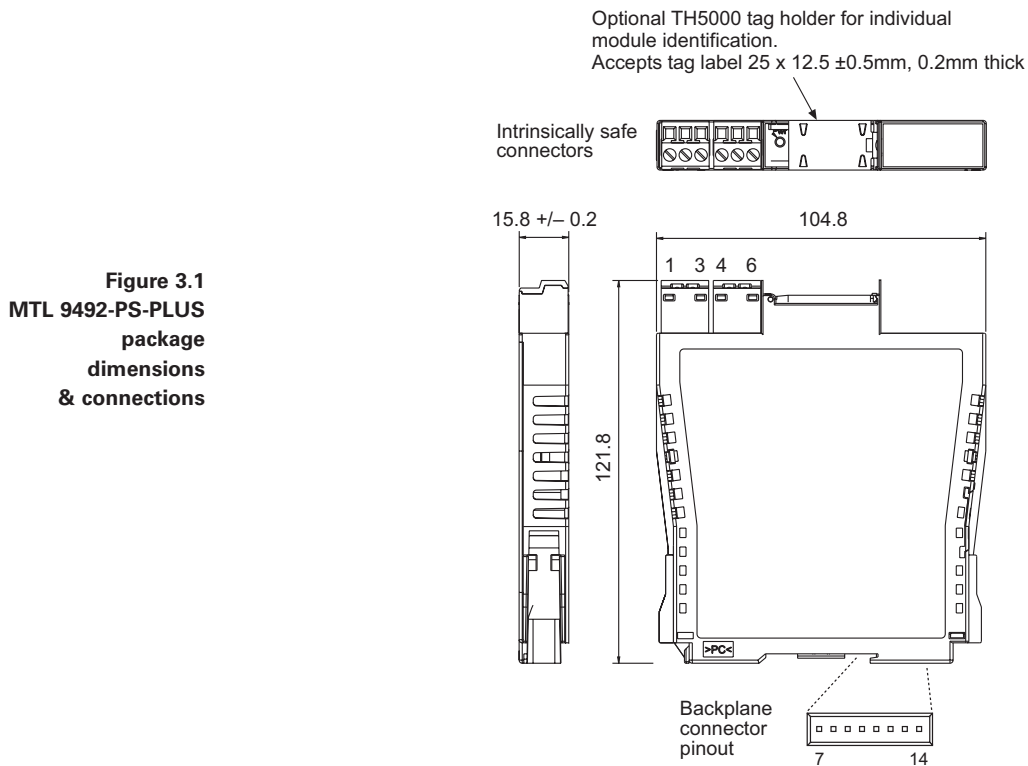
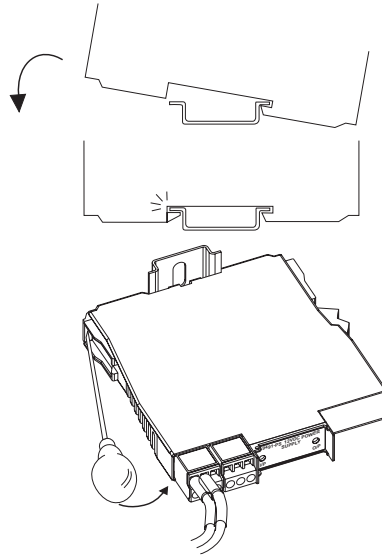


Figure 3.1
MTL 9492-PS-PLUS
package
dimensions
& connections

3.2.1 Mounting power supplies on DIN rail

Clip power supplies onto type T35 DIN rail as shown in Figure 3.2, with the blue signal plugs facing towards the hazardous-area wiring. To remove an power supply from the rail, insert a screwdriver blade into the clip as shown and lever the clip gently outwards; pivot the power supply off the rail. Allow a maximum mounting pitch of 16.2mm for each unit.

Figure 3.2
DIN rail mounting
and removal
of module



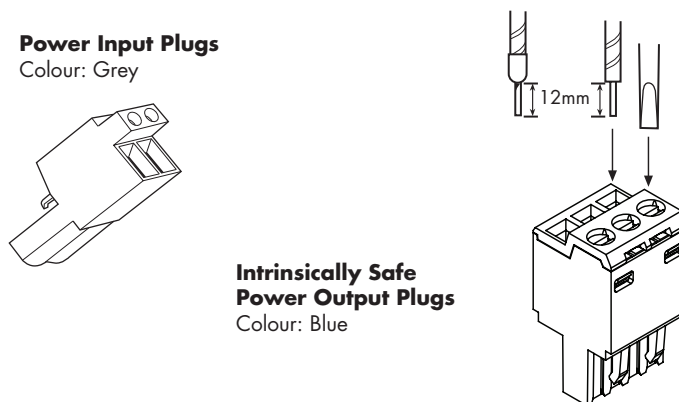
3.2.2 Wiring up power supplies

Depending on the installation, it may be easier to wire up power supplies with power plugs either in place or removed. Either way, allow sufficient free cable to permit plugs to be removed easily for future maintenance and/or replacement purposes.

Power conductors

The removable power plugs are fitted with screw clamp terminals. Note that the conductors should be between 14 and 24 AWG (1.6 and 0.5mm dia) in size. Plugs, located on top of the modules, are mechanically keyed to fit in only one position. The input power plug slots into the socket at terminals 13 and 14 on the safe-area side of each module.

Figure 3.2
Removable
power plugs



Making connections

- Trim back the insulation of conductors by 12mm.
- Check the terminal assignments shown in section 6 or on the side label of the unit.
- Insert conductors according to the terminal assignments and tighten screws.

If the wires are to be fitted with crimp ferrules, 10–12mm is the recommended length of the metal tube. If longer ones are used, they must be trimmed to 12mm before fitting.

Finishing

Wire up individual power supplies in accordance with wiring schedules. Daisy-chain power supply connections between individual power plugs or use the power bus (see section 4.1).

Segregate hazardous- and safe-area wiring into separate trunking or looms wherever possible to avoid errors and maintain a tidy installation.

3.2.3 Ambient temperature considerations

Ambient temperature limits for unenclosed power supplies are from -40°C to +70°C with units close-packed.

3.3 Power bus - Installation and use

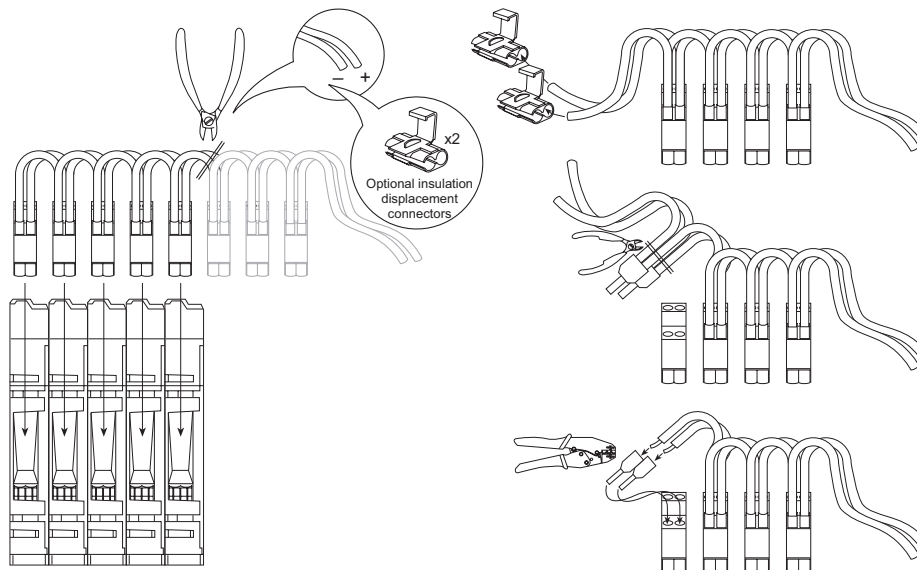
A PB-8T power bus kit enables power supply terminals (13 and 14) of up to 8 installed MTL 9492-PS-PLUS power supplies to be linked to a standard 24V power supply. The bus consists of a chain of power plugs and different lengths are available to suit various numbers of modules as follows.

1. Check to make sure the bus length is correct for the number of modules involved.
2. If the number of modules is less than the maximum number the chain will support, cut off the surplus power plugs at the tail end of the chain - leaving sufficient cable to attach further power plugs if it becomes necessary later.
3. Insert power plugs into the power terminals on the safe- area side of each module in sequence.
4. Connect the power supply source to the tail end of the chain (using the insulation displacement connectors [Scotchlocks] provided if required).

Notes:

1. *To avoid excessive voltage drop or over-current, DO NOT connect power buses in series.*
2. *Surplus sections can be used (and, if required) connected together provided the cut ends are safely terminated and/or connected together. Use single ferrules with a crimp tool or insulation displacement connectors (Scotchlocks). Suitable ferrules and connectors are provided with the kits.*

Figure 3.3
Power bus
wiring, joining
and terminating



3.4 Earth rail and tagging accessories

This section explains how to specify and assemble earth rail and tagging strip accessories for the MTL 9492-PS-PLUS power supplies. The accessories consist of mounting brackets, earth rails, tagging strips and associated parts. They provide facilities for earthing, terminating cable screens and tagging (identifying) the positions of individual units.

3.4.1 Parts list

IMB57 Insulating mounting block (Figures 3.4, 3.5 & 3.6)

One required at each end of a tagging strip/earth rail. Suitable for low-profile (7.5mm) and high-profile (15mm) symmetrical DIN rail.

ERB57S Earth-rail bracket, straight (figure 3.10)

Nickel-plated bus bar; supplied with two push fasteners, one earth-rail clamp (14mm, 35mm²) and one earth cable clamp (10mm, 16mm²).

Note: ERB57S is the preferred choice of earth-rail bracket. It is usually fitted in the upper slot on insulating mounting block IMB57.

Where the earth rail is required to be positioned at a lower height and to allow access to the IMB57 mounting screws, the straight earth-rail bracket ERB57S can be inserted in the lower slot, but only after insulating mounting blocks IMB57 are clamped to the DIN rail. This may not be possible if, for example, trunking is fitted. In this case, fit offset earth-rail bracket ERB570 (see figure 3.4 & 3.10) in the upper slot: the mounting blocks can then be fitted in a restricted space with this bracket already fitted.

ERB570 Earth-rail bracket, offset (figure 3.10)

Nickel-plated bus bar; supplied with two push fasteners, one earth-rail clamp (14mm, 35mm²) and one earth cable clamp (10mm, 16mm²).

ERL7 Earth rail, 1m length (figure 3.10)

Nickel-plated bus bar; may be cut to length.

TAG57 Tagging strip, 1m length (figure 3.10)

Cut to size. Supplied with tagging strip label.

TGL57 Tagging strip labels, set of 10 x 0.5m

Spares replacement, for use with TAG57 tagging strip.

MS010 DIN rail module spacer, 10mm, pack of 5 (figure 3.8)

Grey spacer; one required between each MTL 9492-PS-PLUS and any adjacent module on a DIN rail, to provide 10mm air-circulation space between modules.

ETM7 Earth terminal, bag of 50 (figure 3.9)

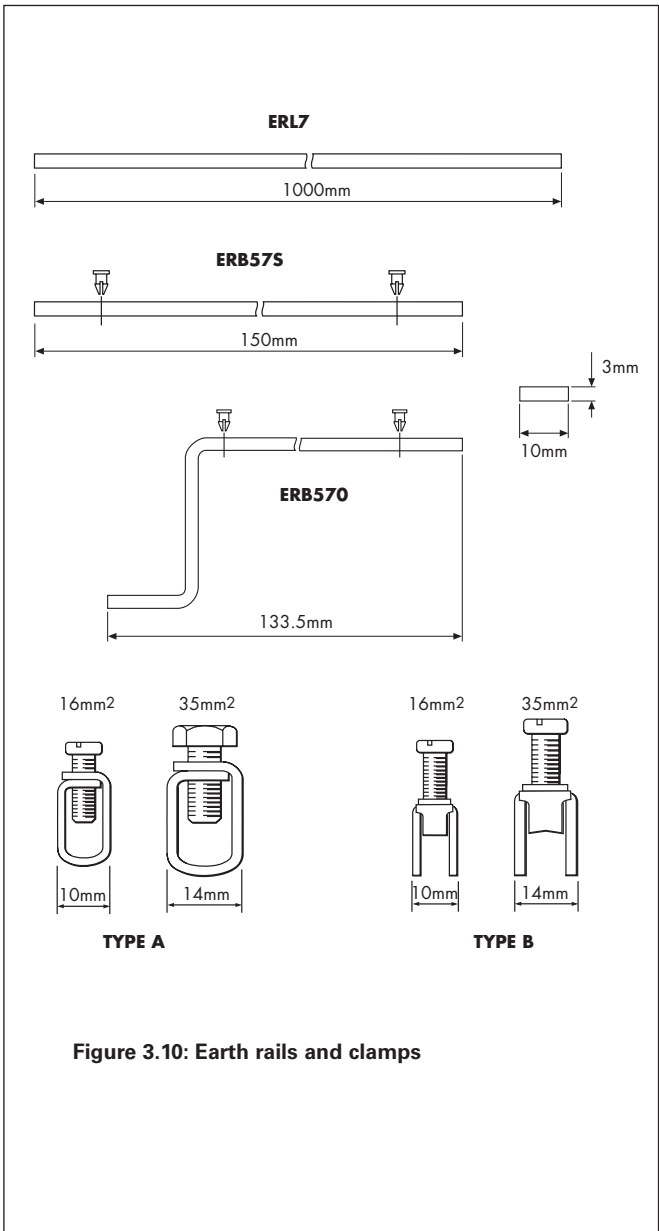
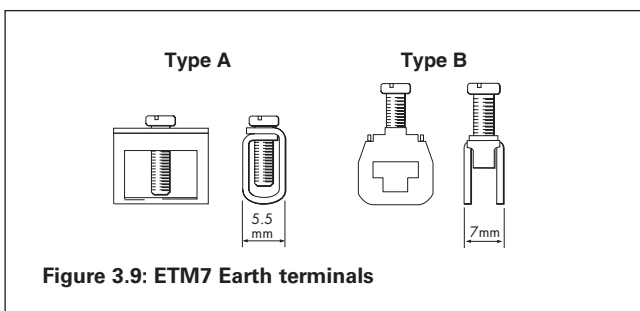
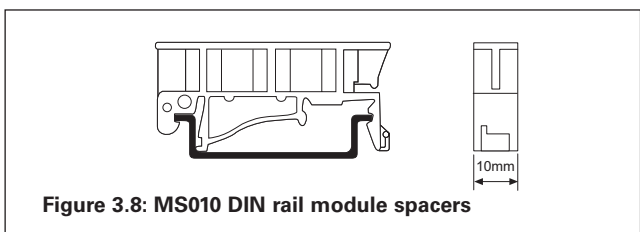
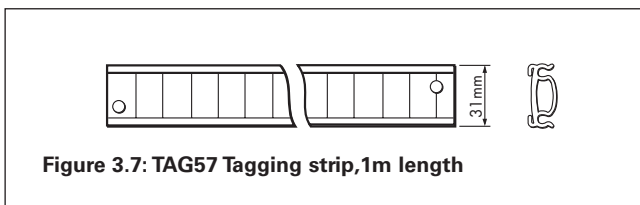
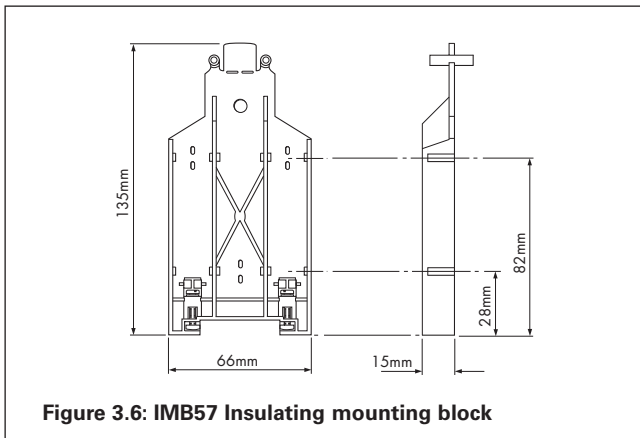
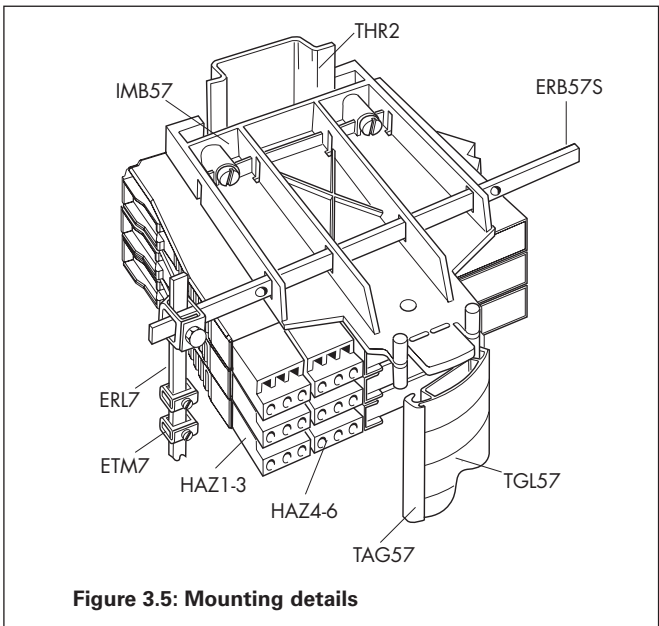
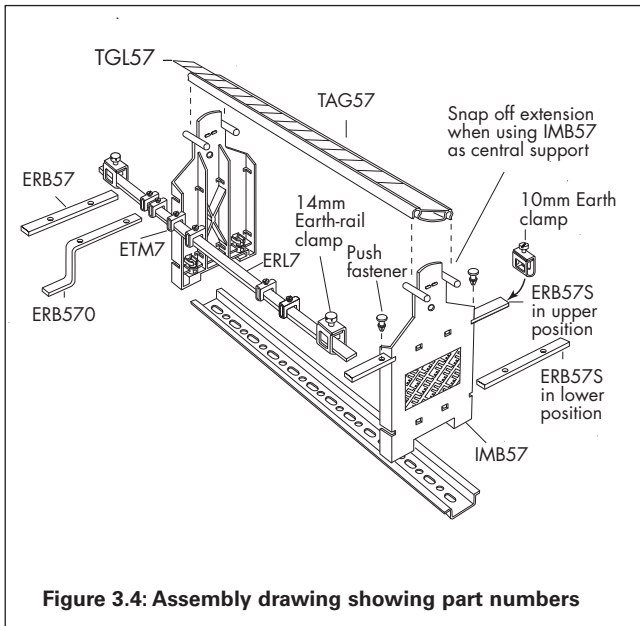
For terminating cable screens and 0V returns on the ERL7 earth rail. For cables $\leq 4\text{mm}^2$.

TH5000 Tag holder

Spares replacement.

Connectors

Spares replacement: HAZ1-3, HAZ4-6, HAZ-CJC, PWR5000, SAF7-9, SAF10-12 (SAF1-3 and SAF4-6 grey connectors, also available for use in safe-area applications).



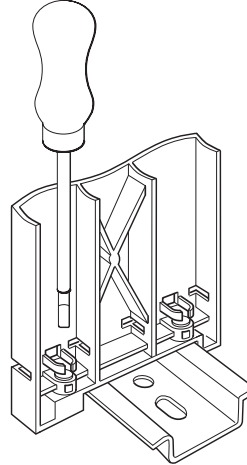
3.5 Assembly

3.5.1 Fitting earth rails

a) In upper position

Before fitting insulating mounting blocks IMB57, check that the swing nuts in the base of each unit are turned back into the moulding. Locate the mounting blocks on the DIN rail in the chosen position and tighten the screws (see figure 3.11). Check that the swing nuts rotate correctly to locate underneath the flanges of the DIN rail.

Figure 3.11:
Fitting IMB57



Slide a straight earth-rail bracket ERB57S into the upper slot in each mounting block. Push two plastic push fasteners into each bracket to locate the brackets in the mounting blocks.

Cut earth rail ERL7 to the length needed. Slide the required number of ETM7 earth terminals (5mm or 7mm wide) onto the rail. Clamp each end of the earth rail to earth-rail brackets ERB57S using the terminal clamps (14mm, 35mm²) supplied. Fit an earth clamp (10mm, 16mm²) to the free end of each earth-rail bracket.

Note: For lengths of earth-rail greater than 500mm, provide additional support by installing a third IMB57 mounting block and earth-rail bracket, mid-way between the end mounting blocks. Snap out the perforated extension between the lugs on this mounting block if a continuous tagging strip is to be fitted (see figure 3.4).

b) In lower position, where at least 150mm clearance exists on one side, measured from the edge of the mounting block.

As for a), but slide earth-rail brackets ERB57S into the lower slots in each mounting block.

c) In lower position, where there is insufficient clearance to fit earth-rail brackets ERB57S.

As for a), but slide offset earth-rail brackets ERB57O into the upper slot in each mounting block before assembling the mounting blocks to the DIN rail. ERB57S brackets cannot be used because they obscure the mounting blocks' fixing screws.

3.5.2 Fitting tagging strips

Assemble mounting blocks IMB57 to the DIN rail as above. Cut TAG57 tagging strip and label to the length needed, and insert label so that the appropriate side is visible. Clip the strip onto the lugs on the mounting blocks. Hinge up the strip to provide access to the tops of the power supplies.

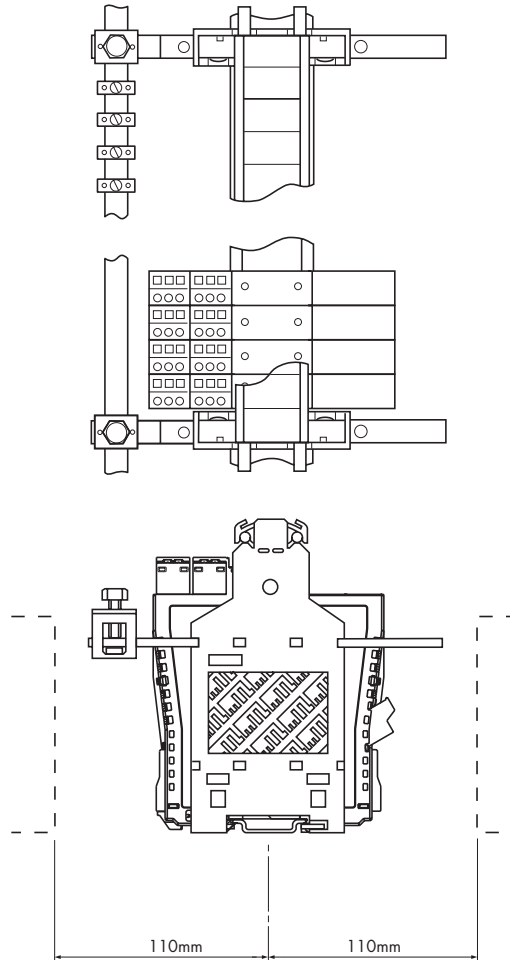
Note: If necessary, provide additional support for long lengths of tagging strip by installing an extra IMB57 mounting block mid-way between the end mounting blocks. Snap out the perforated extension between the lugs on this mounting block.

3.5.3 Completed assemblies

Figure 3.12 illustrates a complete assembly of MTL 9492-PS-PLUS power supplies using the accessories mentioned above.

The broken-line boxes either side of the assembly represent cable trunking, and the accompanying dimensions represent the minimum spacing between trunking and assemblies.


Figure 3.12:
MTL 9492-PS-PLUS
power supplies-
complete assembly



4 BACKPLANE MOUNTING VARIANT

PLEASE NOTE: The backplane mounting variant is only available by prior special arrangement. Please contact MTL product line to discuss.

The alternative to DIN-rail mounting is to use a standard MTL backplane that accommodates 8 modules with 24V dc dual redundant power supplies. In applications where a number of backplanes are installed, the power supply can be interconnected. Optional earth-rail and tagging-strip kits are available for the backplanes.

 WARNING	WARNING !
	<p>If this module is to be connected to intrinsically safe apparatus, it must be installed, operated and maintained only by trained competent personnel and in accordance with all appropriate international, national and local standard codes of practice and site regulation and in accordance with the instructions contained here.</p>


4.1 Accessories

Accessories are available that enable the user to mount the backplanes. These include surface-mounting kits, T-section and G-section DIN-rail mounting kits and end stops.

MOUNTING KITS			ACCESSORIES		
Surface	DIN-rail (T or G)	19-inch rack	Earth-rail kit	Tagging strip kit	Spare fuse pack
SMS01	DMK01	–	ERK08–	TSK08	FUS08

4.2 Protection of equipment

When the power supply is mounted in a safe area ensure that the local environment is clean and free of dirt and dust and note the ambient temperature considerations given in Section 5.

 WARNING	WARNING !
	<p>When mounted in a Zone 2 hazardous area the module <i>must</i> be protected by a suitably certified enclosure. See the <i>Special Conditions for Safe Use</i> provided in the ATEX Safety Instructions at the end of this manual for further details of operation in Zone 2 hazardous areas.</p>

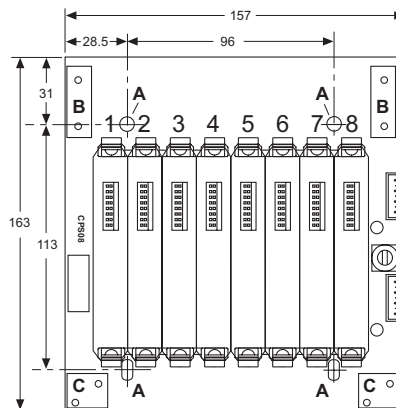
4.3 Backplane mounting

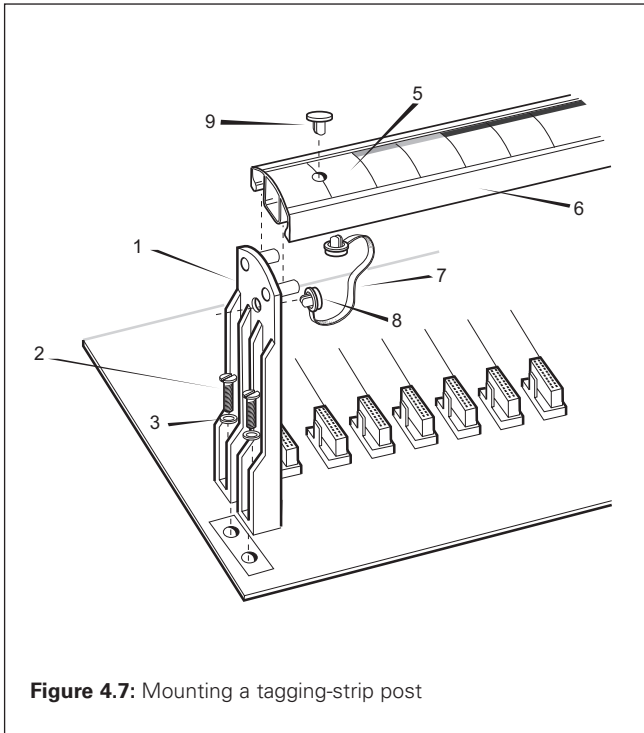
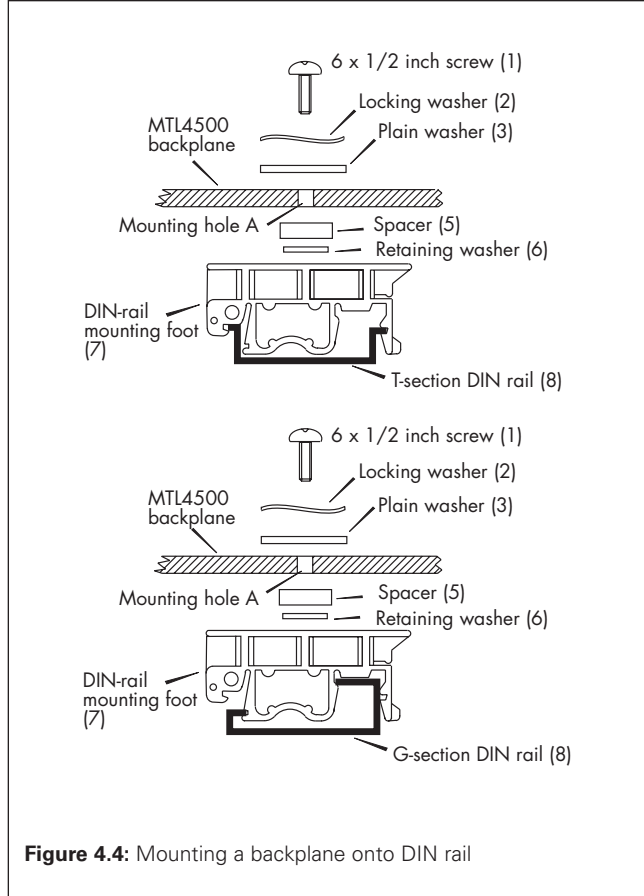
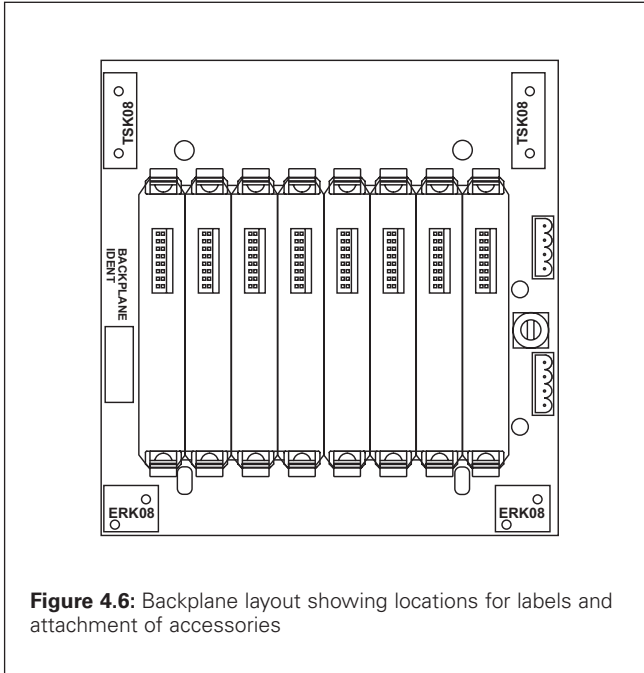
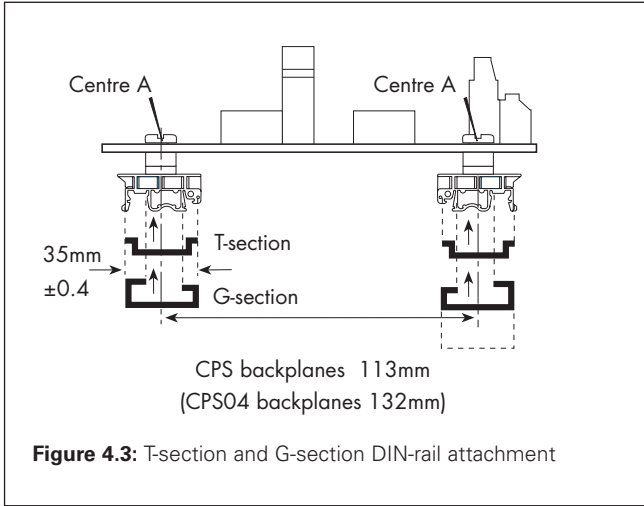
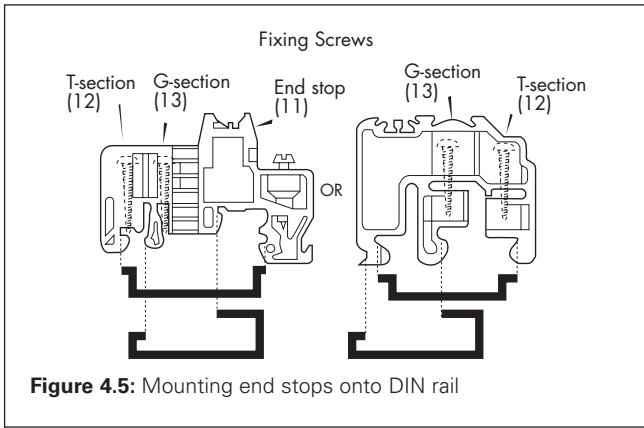
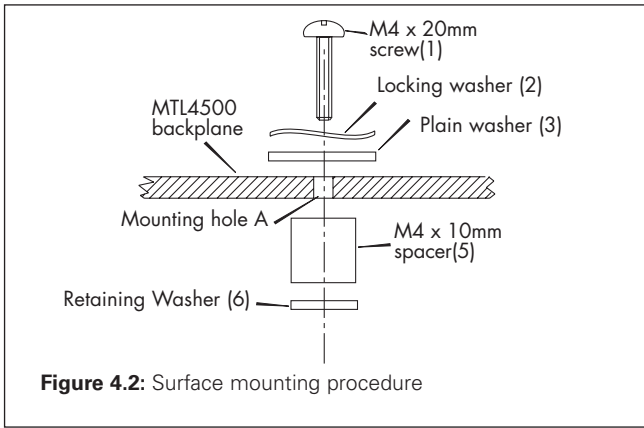
See the table for details of the kits and accessories applicable to the mounting methods and Figure 4.1 for dimensions and mounting centres.

Note: Before mounting a MTL 9492-PS-PLUS on a backplane two minor modifications must be made.

1. Remove the DIN-rail mounting clip by compressing the small spring inside the clip with a screwdriver and then removing it; the clip may then be removed easily from its mounting.
2. Remove the power supply plug located in the side of the unit, then fit the small plastic plate supplied to cover the hole in the module case.

Figure 4.1:
CPS08 backplane
for MTL 9492-PS-PLUS
modules





4.3.1 Surface mounting – with kit SMS01

See Figures 4.1 and 4.2.

- a) Select four M4 x 20mm screws.
- b) Prepare holes in the surface at centres A, tapping these if retaining nuts are not required (Figure 4.1).
- c) Place a locking washer (2) and a plain washer (3) over each M4 x 20mm screw (1) (Figure 4.2).
- d) Insert the screws through the backplane at each mounting centre A (Figures 4.1 and 4.2).
- e) Fit M4 x 10mm spacers (5), retaining them with retaining washers (6) (Figure 4.2).
- f) Attach the assemblies into the pre-drilled surface holes at centres A, retaining the screws with a suitable nut if the holes are not tapped.

4.3.2 T- or G-section DIN-rail mounting –with kit DMK01

See Figures 4.1, 4.3, 4.4 and 4.5.

- a) Select two pieces of T- or G-section DIN-rail of the appropriate length.
- b) Mount the two lengths of DIN-rail side-by-side at centres A, 113mm apart (Figure 4.1).
- c) Clip four mounting feet (7) to the DIN rail (8) at centres A (Figure 4.4).
- d) Select the appropriate number of No. 6 x 1/2-inch screws.
- e) Place a locking washer (2) and a plain washer (3) onto each No. 6 x 1/2-inch screw (1) (Figure 4.4).
- f) Insert the assemblies through the mounting holes A on the backplane (Figures 4.1 and 4.4).
- g) Fit spacers (5), retaining them with the washers (6) (Figure 4.4).
- h) Locate the assemblies over the mounting feet and attach the screws (1) to the feet (Figure 4.4).
- i) For backplanes that are mounted in a vertical orientation, attach one end stop (11) to the lower end of each DIN-rail supporting a column of backplanes by clipping the stops into place and tightening the appropriate screw [(12) for T-section and (13) for G-section DIN-rails] (Figure 4.5).
- j) Additional end stops should be attached between backplanes to increase the stability of tall columns of backplanes.

4.4 Backplanes – identification and tagging

Marked areas are provided for identifying backplanes. Mounting holes for earth-rail and tagging-strip attachments are similarly marked.

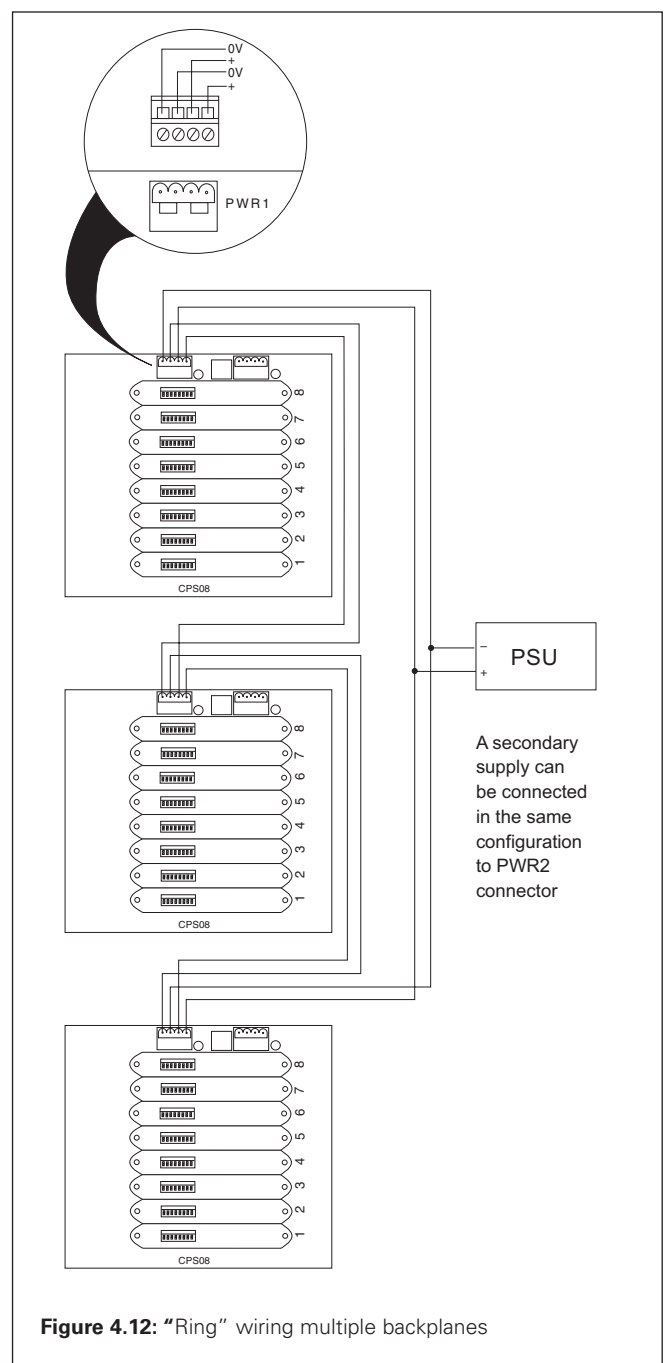
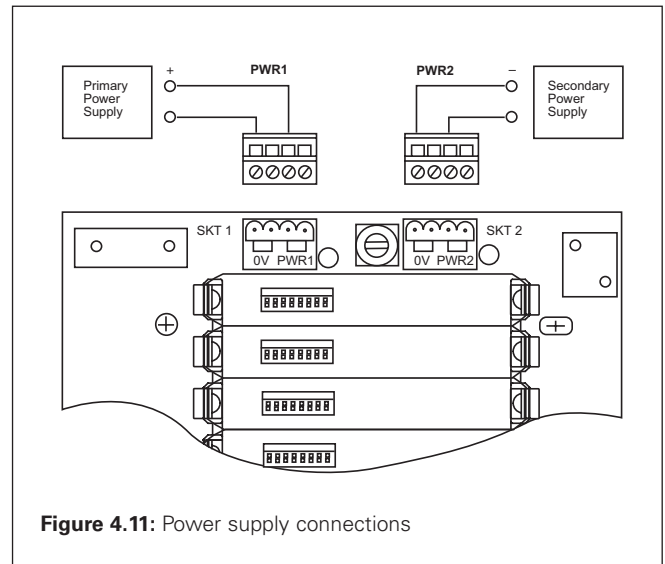
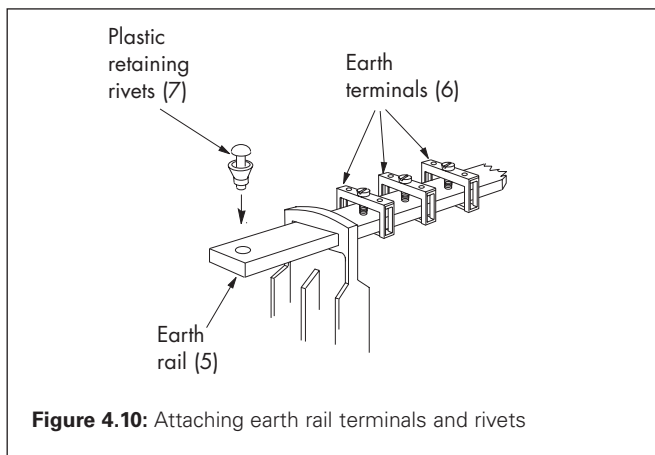
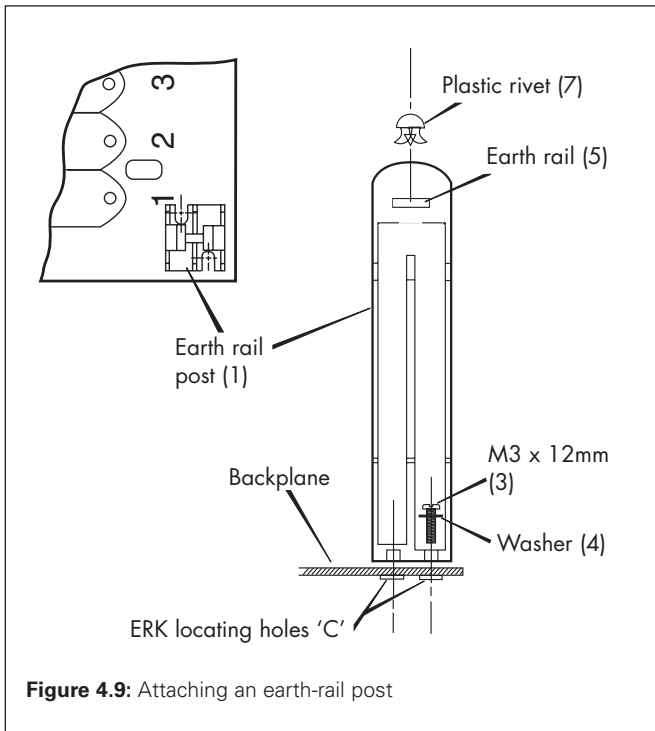
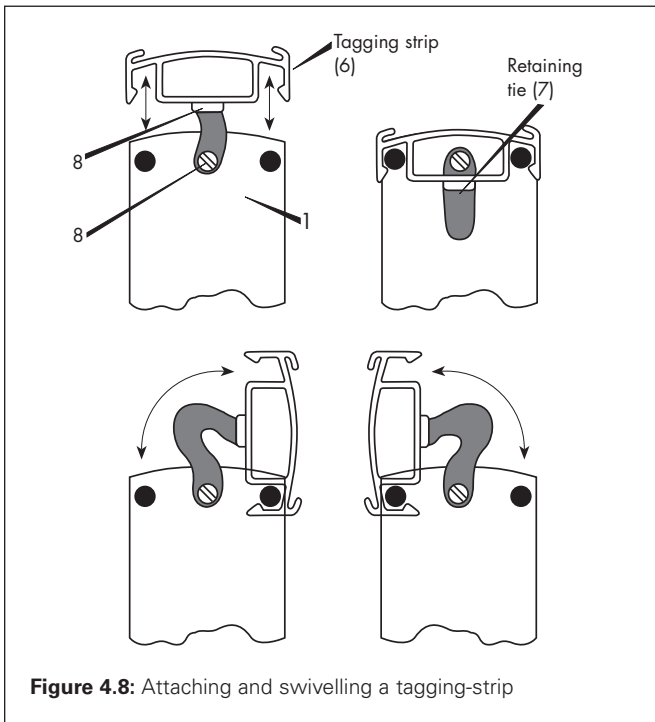
4.4.1 Backplane identification labels

- a) Attach a suitably marked label to the area marked BACKPLANE IDENT. to identify an individual backplane. See Figure 4.6.

4.4.2 Tagging strip mounting kit (TSK08)

See Figures 4.1, 4.9, 4.10 and 4.11.

- a) Locate the tagging strip mounting posts (1) at backplane centres B (Figure 4.1).
- b) Attach each mounting post (1) to the backplane with two M3 x 12mm mounting screws (2) and washers (3) (Figure 4.7).
- c) Slide the tag label (5) into the plastic holder (6) and retain with a plastic rivet (9) (Figure 4.7).
- d) Attach the plastic retaining tie (7) with two plastic rivets (8) (Figure 4.7).
- e) Clip the tag strip holder (6) onto the mounting posts (1) by pushing it downwards (Figure 4.8).
- f) If required, swivel the tagging strip vertically (Figure 4.9)



4.5 Backplanes - earth rails

Optional earth rails are available for backplanes (kit ERK08). Cable screens from hazardous-area circuits, or spare pairs from a multicore cable, are connected to the terminals on the earth rails, which are mounted on the backplane at about the same height as the front of the modules, close to the hazardous-area connectors. Earth rails are attached using the following procedure:-

4.5.1 Earth rail kit (ERK08)

See Figures 4.1, 4.9 and 4.10.

- a) Locate the earth rail mounting posts (1) at backplane centres C (Figures 4.1 and 4.9).
- b) Attach the mounting posts (1) with M3 x 12 screws (3) and washers (4) (Figure 4.9).
- c) Slide the earth rail (5) through the slots in the of the mounting posts (1) (Figure 4.10).
- d) Fit the earth terminal(s) (6) on the rail (5) (Figure 4.10).
- e) Attach plastic retaining rivets (7) to each end of the earth rail (5) (Figure 4.10).

4.6 Backplanes – power supply connections

4.6.1 Single backplane

Dual 24V power supplies, to provide redundancy, are routed to the backplane by plug-in connectors and then bussed by the backplane to individual power supply modules. LEDs on the backplane indicate that the two supplies are operational. A diode circuit between the two ensures that the highest voltage supply is the one in use at any given moment, so providing automatic switchover of supplies if the primary source fails. The procedure for connecting power supplies is:-

- a) Connect each of the two 21V to 35V dc power supply connectors to the independent supply sources according to the terminal assignments shown in Figure 4.11. The maximum permissible wire size is 2.5mm² (14 AWG).
- b) Plug the power supply connectors into the base connectors on the backplanes.
- c) The rating for the fuse located between the two supply connectors on the backplanes is 1A.

4.6.2 Interconnection of power supplies for multiple backplanes

Power supplies for backplanes can be interconnected in the form of a ring. This will reduce wiring and also permit individual backplanes to be taken out of service without affecting supplies to other backplanes. More than one backplane can be removed, provided that they are neighbours and do not leave any other backplanes without an active supply.

- a) Make the connections shown in Figure 4.12.

Wire sizes up to 2.5mm² (14 AWG) can be used and should be chosen according to load and voltage drop.

4.7 Fitting MTL 9492-PS-PLUS modules to backplane



WARNING !

When installing MTL 9492-PS-PLUS power supply modules it is essential to make sure that intrinsically safe and non-intrinsically safe wiring is segregated as required by a nationally accepted authority or as described in BS EN 60079-14, ISA RP 12.6 or DIN VDE-165.

4.7.1 Installation - Figure 4.15

- a) Trim insulation to suit bare or ferrule wire end (Figure 4.13)
- b) Terminate IS power (PoEx) wiring on blue connector(s).
- c) Mount interface unit on the backplane.
- d) Locate input bulk power connector(s) on backplane safe-area/power supply connector(s).

4.7.2 Module removal - Figure 4.16

- a) Unclip the latch nearest the CE mark on the module label.
- b) Rotate the module away from this latch.
- c) When the module is unplugged from the power connector, move the module clear of the other latch and remove.

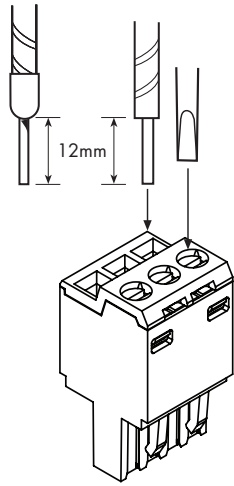


Figure 4.13: Wiring hazardous-area power output plugs

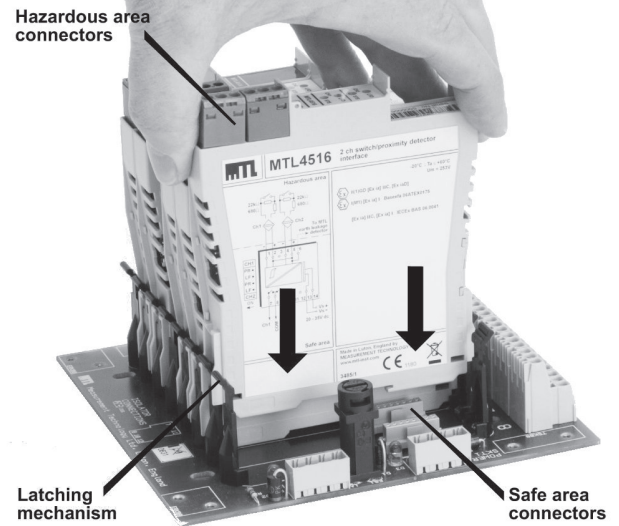


Figure 4.15: Fitting power supplies to backplane

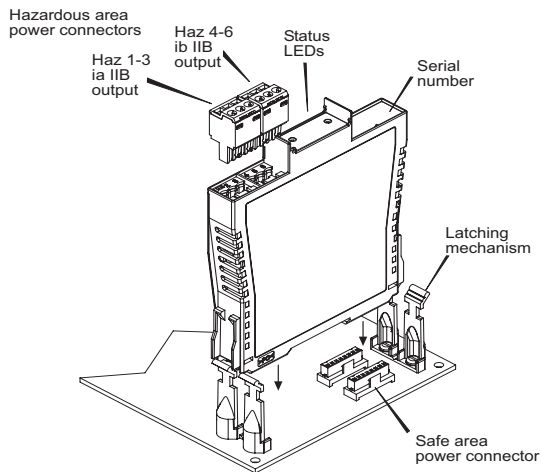


Figure 4.14: Key elements of the MTL 9492-PS-PLUS power supply

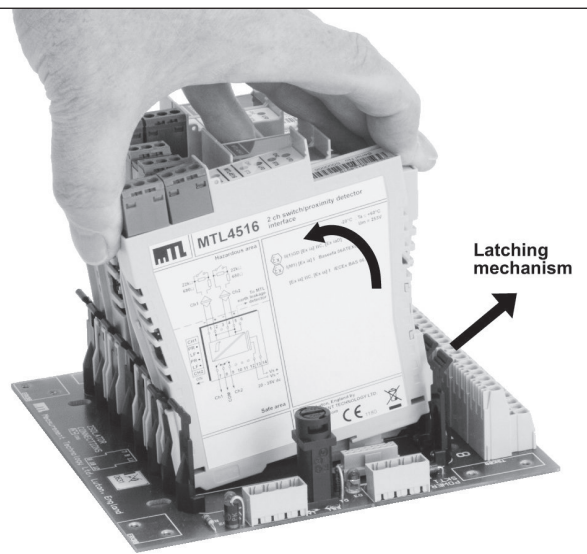


Figure 4.16: Removing power supplies from backplane

5 ENVIRONMENTAL

Operating Temperature	-40°C...+70°C
Storage Temperature	-40°C...+70°C
Humidity	5...95% RH, non condensing

6 WASTE REMOVAL INFORMATION



The electronic equipment within must not be treated as general waste. By ensuring that this product is disposed of correctly you will be helping to prevent potentially negative consequences for the environment and human health, which could otherwise be caused by incorrect waste handling of this product.

For more detailed information about the take-back and recycling contact **MTL**.

7 APPROVALS

The operating parameters must not exceed those as detailed on the certificate.

- 2004/108/EC EMC Directive
- 2006/95/EC Low Voltage Directive

Region	Europe (ATEX)	International IECEx
Authority	CML	CML
Standard	EN 60079-0:2012 EN 60079-11:2012 EN 60079-26:2006	IEC 60079-0:2011 IEC 60079-11:2011 IEC 60079-26:2006*
Approved for	⊕ II (1), (2)GD [Ex ia Ga] IIB, [Ex ib Gb] IIB [Ex ia Da] IIIC, [Ex ib Db] IIIC ⊕ I (M1), (M2) [Ex ia Ma] I, [Ex ib Mb] I Ta = -40°C to +70°C	[Ex ia Ga] IIB, [Ex ib Gb] IIB [Ex ia Da] IIIC, [Ex ib Db] IIIC [Ex ia Ma] I, [Ex ib Mb] I Ta = -40°C to +70°C
Cert. no.	CML 15ATEX2071X	IECEX CML 15.0034X
Standard	EN 60079-0:2012 EN 60079-15:2010	IEC 60079-0:2011 IEC 60079-15:2010
Approved for	⊕ II 3G Ex nA IIB T4 Gc (Ta = -40°C to +70°C)	Ex nA IIB T4 Gc (Ta = -40°C to +70°C)
Cert. no.	CML 15ATEX4072X	IECEX CML 15.0034X

* (for guidance on marking)

Notes

1. Terminals 1 and 3
2. Terminals 5 and 6

8 ATEX & IECEx CERTIFICATION INFORMATION

The following information is in accordance with the Essential Health and Safety Requirements (Annex II) of the EU Directive 94/9/EC [the ATEX Directive- safety of apparatus] and is provided for those locations where the ATEX Directive is applicable.

General

- a) This equipment must only be installed, operated and maintained by competent personnel. Such personnel shall have undergone training, which included instruction on the various types of protection and installation practices, the relevant rules and regulations, and on the general principles of area classification. Appropriate refresher training shall be given on a regular basis. [See clause 4.2 of EN 60079-17].
- b) This equipment has been designed to provide protection against all the relevant additional hazards referred to in Annex II of the directive, such as those in clause 1.2.7. This equipment has been designed to meet the requirements of intrinsically safe electrical apparatus in accordance with EN 60079-0, EN 60079-11, EN 60079-15 and EN 60079-26.

Installation

- a) reference to the IEC code of practice IEC 60079-14. In addition, particular industries or end users may have specific requirements relating to the safety of their installations and these requirements should also be met. For the majority of installations the Directive 1999/92/EC [the ATEX Directive- safety of installations] is also applicable.
- b) Unless already protected by design, this equipment must be protected by a suitable enclosure against:
 - i) mechanical and thermal stresses in excess of those noted in the certification documentation and the product specification.
 - ii) aggressive substances, excessive dust, moisture and other contaminants.
- c) This apparatus is intrinsically safe electrical apparatus and is normally mounted in a safe area. When mounted in a Zone 2 location the apparatus must be provided with an enclosure, which offers an additional degree of protection appropriate to the area classification.

Special conditions for safe use (when mounted in a Zone 2 hazardous area)

- a) If the equipment is installed in a zone 2 hazardous area, it shall be housed in an enclosure that is coded Ex nA, Ex e, Ex d or Ex p, suitable for operating temperatures of -40°C to +135°C and providing an ingress protection of IP54 minimum. For some types of enclosure, additional certification will be required to permit the installation of the module within the enclosure. Reference should be made to the enclosure certificate. The installer shall ensure that the maximum ambient temperature of the module when installed is not exceeded.
- b) When the device is mounted in a zoned area, connection and disconnection of the modules input supply voltage while live is only permitted if the potentially explosive atmosphere is shown to be absent.

Inspection and maintenance

- a) Inspection and maintenance should be carried out in accordance with European, national and local regulations which may refer to the IEC standard IEC 60079-17. In addition specific industries or end users may have specific requirements which should also be met.
- b) Access to the internal circuitry must not be made during operation.

Repair

This product cannot be repaired by the user and must be replaced with an equivalent certified product.







continued on next page

Marking

Each device is marked in accordance with the Directive and CE marked with the Notified Body Identification Number.

This information applies to products manufactured during or after the year 2010.

Figure 8.1
MTL 9492-PS-PLUS
product label

EATON		CROUSE-HINDS SERIES
9492-PS-PLUS MTL IS Power Supply Module		
Nominal IS Output 12V 480mA 'ia' / 550mA 'ib'		Ta = -40°C to +70°C Um = 250V
Supply Input 24VDC (20-30V) 390mA		
Hazardous Area Output Terminals		CML 15ATEX2071X CML 15ATEX4072X IECEx CML 15.0034X
1 = +12V 'ia' 2 = n.c. 3 = 0V 4 = n.c. 5 = +12V 'ib' 6 = 0V		[Ex ia Ma] I, [Ex ib Mb] I [Ex ia Ga] IIB, [Ex ib Gb] IIB [Ex ia Da] IIIC, [Ex ib Db] IIIC Ex nA IIB T4 Gc
Safe Area Input Terminals		 I (M1), (M2)
13 = 0V _{in} 14 = +24V _{in} (or via Backplane)		 II (1), (2)GD
DO NOT SEPARATE INPUT OR BACKPLANE CONNECTOR WHEN ENERGISED		 II 3 G, 3(1)G, 3(2)G
Part No. 9492-PS-PLUS		Made in Derbyshire, England. DE11 9EU Controlled Systems Limited www.controlledsystemsLtd.co.uk
Serial No. YY/XXXX		  0518 



CROUSE-HINDS
SERIES

EC Declaration of Conformity

94XX Intrinsically Safe Ethernet Products

Document No. MTL14DOC9400

Issue No. 4

We declare under our sole responsibility that the product(s) listed below, to which this declaration relates, conform with the requirements of the Directives below by compliance with the standards listed.

EMC Directive - Council Directive 2004/108/EC to 19 April 2016 and 2014/30/EU from 20 April 2016 relating to Electromagnetic Compatibility.

- a. EN 61326-1:2013 Class A equipment. Table 2 – Industrial locations

Low Voltage Directive - Council Directive 2006/95/EC to 19 April 2016 and 2014/35/EU from 20 April 2016 relating to Product Safety.

- b. EN 61010-1:2010

ATEX Directive - Council Directive 94/9/EC to 19 April 2016 and 2014/34/EU from 20 April 2016 relating to equipment and protective systems intended for use in potentially explosive atmospheres.

- | | |
|----------------------|----------------------|
| c. EN 60079-0:2012† | h. EN 60079-26:2015† |
| d. EN 60079-0:2012 | i. EN 60079-26:2015 |
| e. EN 60079-11:2012† | j. EN 60079-28:2007 |
| f. EN 60079-11:2012 | k. EN 50303:2000 |
| g. EN 60079-15:2010 | |

† Where products were initially assessed for compliance with the Essential Health and Safety Requirements of the Directive using earlier harmonised standards, a subsequent review has determined that compliance is unaffected by the current harmonised standard(s) listed above.

R&TTE Directive - Council Directive 1999/5/EC to 19 April 2016 and 2014/34/EU from 20 April 2016 relating to radio and telecommunications terminal equipment.

- l. EN 300 328 V.1.8.1 [2012-04]
m. EN 301 893 V.1.7.1 [2012-06]


Stewart Parfitt
Engineering Director
26 January 2016

Measurement Technology Limited
Luton, Bedfordshire, UK, LU2 8DL
Telephone +44 1582 723633
Fax +44 1582 422283
Email enquiry@mtl-inst.com
Website www.mtl-inst.com

Page 1 of 2

DECLARATION OF CONFORMITY - continued

Products covered by this declaration:

Product	Description	EMC ¹ Standards	LVD ¹ Standards	CE mark applied	ATEX ¹ Standards	ATEX ² Marking	R&TTE ¹ Standards	Cat1/Cat2 ATEX Cert. No.	Cat3 ATEX Cert. No.
9461-ET	Serial to Ethernet Gateway	a	b	2008	c, e, h, j, k	3	N/A	Sira07ATEX2064X	None
9465-ET-M-SC	10/100 Media Converter (Multi-Mode SC)	a	b	2008	c, e, h, j, k	4	N/A	Sira07ATEX2064X	None
9465-ET-M-ST	10/100 Media Converter (Multi-Mode ST)	a	b	2008	c, e, h, j, k	4	N/A	Sira07ATEX2064X	None
9465-ET-S-SC	10/100 Media Converter (Single-Mode SC)	a	b	2008	c, e, h, j, k	4	N/A	Sira07ATEX2064X	None
9466-ET	10/100 Managed Ethernet Switch	a	b	2008	c, e, h, j, k	3	N/A	Sira07ATEX2064X	None
9468-ET	10/100 Ethernet Isolator	a	b	2008	c, e, h, j	5	N/A	Sira07ATEX2065	Sira08ATEX4310X
9469-ET	108Mbps Wireless AP/Bridge	a	b	2008	c, e, h, j, k	6	l, m	Sira07ATEX2064X	None
9469-ETplus	108Mbps Wireless AP/Bridge	a	b	2008	c, e, h, j, k	6	l, m	Sira07ATEX2064X	None
9491-PS	12Vdc IS Power Supply	a	b	2008	d, f, g, i	7	N/A	CML15ATEX2071X	CML15ATEX4072X
9492-PS-PLUS	12Vdc IS Power Supply	a	b	2015	d, f, g, i	7	N/A	CML15ATEX2071X	CML15ATEX4072X
9493-PS-XXX	12Vdc IS Power Supply	a	b	2015	d, f, g, i	8	N/A	CML15ATEX2071X	CML15ATEX4072X

Notes:

- 1 Entries in this column may be either letter notation (a,b,c etc..) indicating which standards from page 1 apply, or N/A if the directive does not apply
- 2 Entries in this column refer to notes below indicating ATEX markings present on products, or N/A if the directive does not apply
- 3 ATEX marking Ex I M1 II 1GD, Ma Ex ia I, Ga Ex ia IIC T4, Ex iaD 20 T135°C (Ta = -40°C to +70°C)
- 4 ATEX marking Ex I M1 II 1GD, Ma Ex ia I, Ma Ex ia op is I, Ga Ex ia IIC T4, Ga Ex ia op is IIC T4, Ex iaD 20 T135°C (Ta = -40°C to +70°C)
- 5 ATEX marking Ex II (1) GD Ex I (M1) (Ga) [Ex iaD] IIC [Ex iaD] (Ma) [Ex ia] I (Ta = -40°C to +70°C)
 Ex II 3 G Ex ic (ia) IIC T4 Gc (Ta=-40°C to +70°C)
- 6 ATEX marking Ex I M1 II 1GD, Ma Ex ia I, Ga Ex ia IIC T4, Ex iaD 20 T135°C (Ta = -40°C to +60°C)
- 7 ATEX marking Ex II (1), (2) G [Ex ia Ga] II*, [Ex ib Gb] IIB Ta=-40°C to +70°C Ex II (1), (2) D [Ex ia Da] IIIC, [Ex ib Db] IIIC Ta=-40°C to +70°C
 Ex I (M1), (M2) [Ex ia Ma] I, [Ex ib Mb] I Ta=-40°C to +70°C Ex II 3 G Ex nA IIB T4 (Ta=0°C to +70°C)
- 8 ATEX marking Ex II (1) G [Ex ia Ga] II* Ta=-40°C to +70°C Ex II (1) D [Ex ia Da] IIIC Ta=-40°C to +70°C
 Ex I (M1) [Ex ia Ma] I Ta=-40°C to +70°C Ex II 3 G Ex nA II* T4 Gc Ta=-40°C to +70°C

Notified Bodies responsible for issuing Cat 1 or 2 ATEX Certificates:

- 0518 SIRA Certification Service, Chester, CH4 9JN. United Kingdom
- 2503 CML, Ellesmere Port, CH65 4LZ. United Kingdom

Notified Body responsible for ATEX QA regimes:

- 0518 SIRA Certification Service, Chester, CH4 9JN. United Kingdom
- 1180 SGS Baseefa, Buxton, SK17 9RZ. United Kingdom

This page left intentionally blank

This page left intentionally blank

This page left intentionally blank

AUSTRALIA

MTL Instruments Pty Ltd,
10 Kent Road, Mascot, New South Wales, 2020, Australia
Tel: +61 1300 308 374 Fax: +61 1300 308 463
E-mail: mtl-salesanz@eaton.com

BeNeLux

MTL Instruments BV
Terheijdensweg 465, 4825 BK Breda
The Netherlands
Tel: +31 (0) 76 7505360 Fax: +31 (0) 76 7505370
E-mail: mtl.benelux@eaton.com

CHINA

Cooper Electric (Shanghai) Co. Ltd
955 Shengli Road, Heqing Industrial Park
Pudong New Area, Shanghai 201201
Tel: +86 21 2899 3817 Fax: +86 21 2899 3992
E-mail: mtl-cn@eaton.com

FRANCE

MTL Instruments sarl,
7 rue des Rosieristes, 69410 Champagne au Mont d'Or
France
Tel: +33 (0)4 37 46 16 53 Fax: +33 (0)4 37 46 17 20
E-mail: mtlfrance@eaton.com

GERMANY

MTL Instruments GmbH,
Heinrich-Hertz-Str. 12, 50170 Kerpen, Germany
Tel: +49 (0)22 73 98 12-0 Fax: +49 (0)22 73 98 12-2 00
E-mail: mtlgmbh@eaton.com

INDIA

MTL India,
No.36, Nehru Street, Off Old Mahabalipuram Road
Sholinganallur, Chennai- 600 119, India
Tel: +91 (0) 44 24501660 /24501857 Fax: +91 (0) 44 24501463
E-mail: mtlindiasales@eaton.com

ITALY

MTL Italia srl,
Via San Bovio, 3, 20090 Segrate, Milano, Italy
Tel: +39 02 959501 Fax: +39 02 95950759
E-mail: chmninfo@eaton.com

JAPAN

Cooper Crouse-Hinds Japan KK,
MT Building 3F, 2-7-5 Shiba Daimon, Minato-ku,
Tokyo, Japan 105-0012
Tel: +81 (0)3 6430 3128 Fax: +81 (0)3 6430 3129
E-mail: mtl-jp@eaton.com

NORWAY

Norex AS
Fekjan 7c, Postboks 147,
N-1378 Nesbru, Norway
Tel: +47 66 77 43 80 Fax: +47 66 84 55 33
E-mail: info@norex.no

RUSSIA

Cooper Industries Russia LLC
Elektrozavodskaya Str 33
Building 4
Moscow 107076, Russia
Tel: +7 (495) 981 3770 Fax: +7 (495) 981 3771
E-mail: mtlrussia@eaton.com

SINGAPORE

Cooper Crouse-Hinds Pte Ltd
No 2 Serangoon North Avenue 5, #06-01 Fu Yu Building
Singapore 554911
Tel: +65 6 645 9888 Fax: +65 6 487 7997
E-mail: sales.mtlsing@eaton.com

SOUTH KOREA

Cooper Crouse-Hinds Korea
7F, Parkland Building 237-11 Nonhyun-dong Gangnam-gu,
Seoul 135-546, South Korea.
Tel: +82 6380 4805 Fax: +82 6380 4839
E-mail: mtl-korea@eaton.com

UNITED ARAB EMIRATES

Cooper Industries/Eaton Corporation
Office 205/206, 2nd Floor SJ Towers, off. Old Airport Road,
Abu Dhabi, United Arab Emirates
Tel: +971 2 44 66 840 Fax: +971 2 44 66 841
E-mail: mtlgulf@eaton.com

UNITED KINGDOM

Measurement Technology Limited,
Great Marlings, Butterfield, Luton
Beds LU2 8DL
Tel: +44 (0)1582 723633 Fax: +44 (0)1582 422283
E-mail: mtlenquiry@eaton.com

AMERICAS

Cooper Crouse-Hinds MTL Inc.
3413 N. Sam Houston Parkway W.
Suite 200, Houston TX 77086, USA
Tel: +1 281-571-8065 Fax: +1 281-571-8069
E-mail: mtl-us-info@eaton.com