

MA-150-1

Pyxis Floating Submersion Adapter Reference Guide

Introduction

Pyxis Lab offers two advanced adapter kits specifically designed to enable floating and fixed submersion applications. This document provides a brief description of the MA-150-1 Floating Submersion Adapter Kit as well as diagram review of components both included and non-included for the purposes of installation.

MA-150-1 Floating Submersion Adapter Kit (P/N 53705)

Submersed Floating Installation: The Pyxis ST-772 (304SS) and ST-772-P (CPVC) Dissolved Oxygen sensors may be installed in a submersed/floating application using the MA-150-1 Submersed Floating Adapter Kit. This kit contains a swiveling conduit mounting bracket and ball float-probe adapter assembly in 1" FNPT. For use of the MA-150-1 with Standard Pyxis sensors (non-threaded) users must purchase separately the MA-102S union style submersion adapter as outlined in item #11 of the parts list. Users should obtain water-tight conduit and cable seal adapter from their supplier of choice as these items are commonly available and not provided in the MA-150-1 kit.

MA-150-1

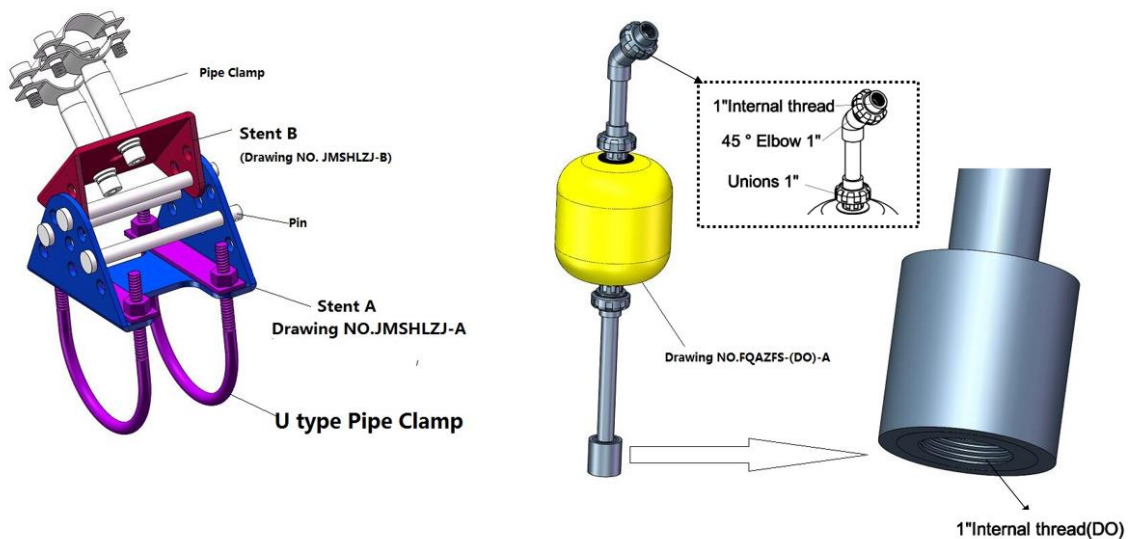
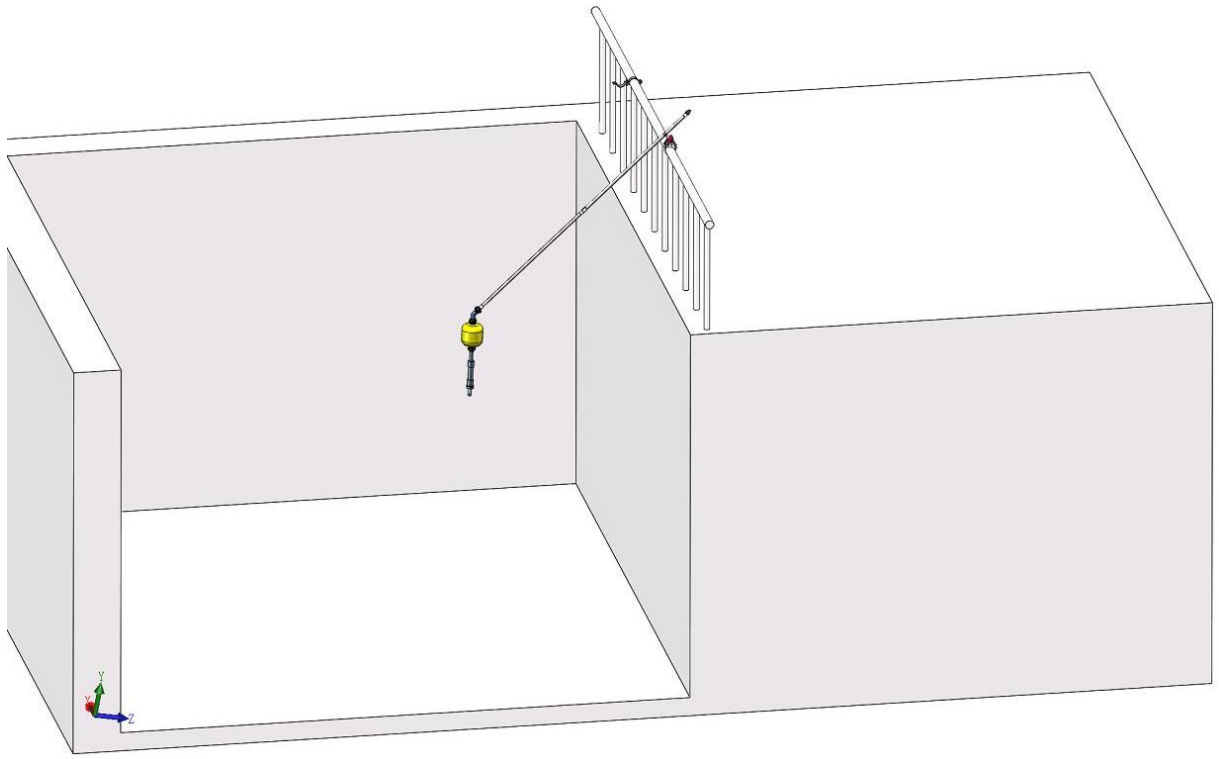
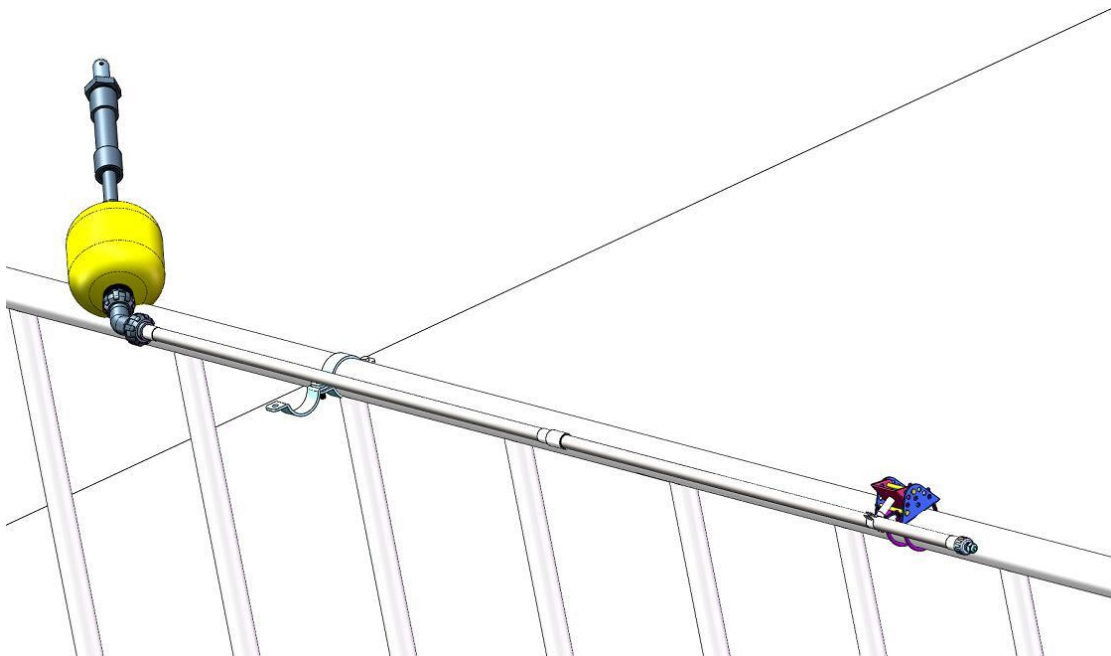


Figure 1 – MA-150-1 Floating Submersion Adapter Kit (P/N 53705)

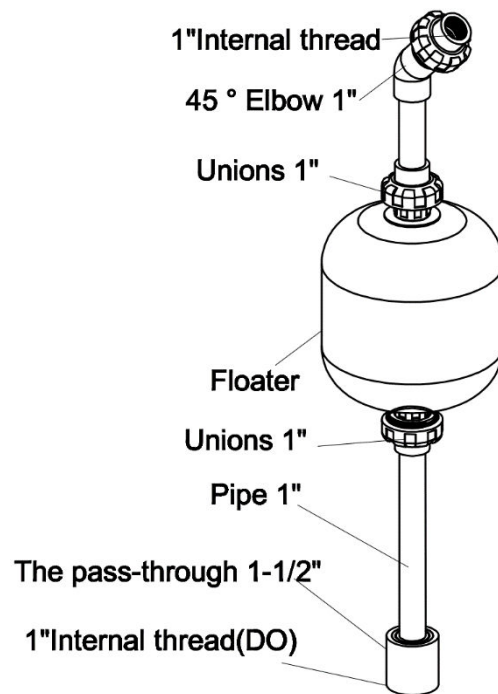
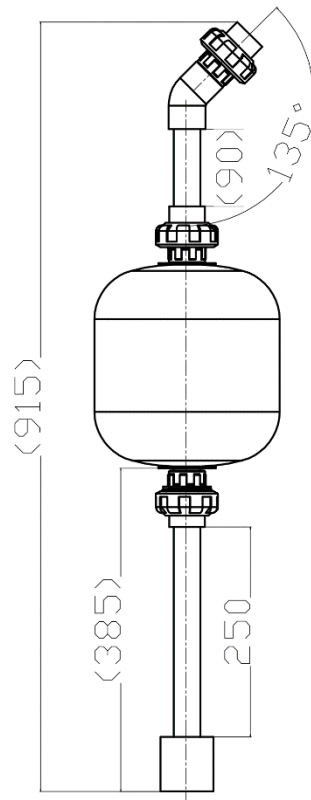
MA-150-1 Typical Installation Diagram



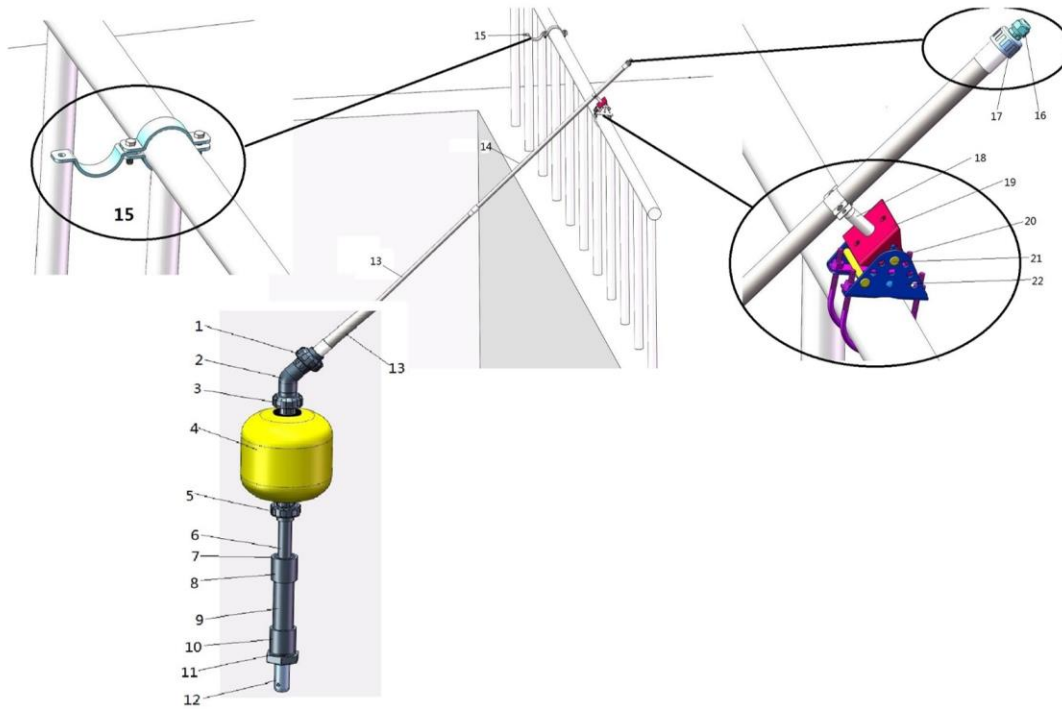
MA-150-1 Typical Floating Sensor Removal/Storage Scenario



MA-150-1 Assembling the Ball Float Sensor Adapter



MA-150-1 Parts List



NO.	Item Name	Description	Material	Qua	Status
1	Unions	1" SCH80 Bell/Spigot	UPVC	1	Included
2	45° Bend	1" SCH80 Bell/Spigot	UPVC	1	Included
3	Unions	1" SCH80 Bell/Spigot	UPVC	1	Included
4	Floating Ball	9 kg Buoyancy	HDPE	1	Included
5	Unions	1" SCH80 Bell/Spigot	UPVC	1	Included
6	Pipe	1" SCH80	UPVC	1	Included
7	Bushing	1.5"-1"	UPVC	1	Included
8	Pass-through	1.5" SCH80 Bell/Spigot	UPVC	1	Included
9	Pipe	1.5" SCH80	UPVC	1	Included
10	Pass-through	1.5" SCH80 Bell/Spigot	UPVC	1	Included
11	MA-102S	Union Submersion Adapter	UPVC	1	Not Included
12	Pyxis Probe	Standard Pyxis Sensor	UPVC	0	Not Included
13	Conduit A	1" NPT Sealed Conduit	CPVC or 304SS	1	Not Included
14	Conduit A	1" NPT Sealed Conduit	CPVC or 304SS	1	Not Included
15	Pipe Clamp	3"	304SS	2	Not Included
16	Cable Adapter	Sealed Cable Adapter PG9	Plastic	1	Not Included
17	Pipe Cap	1" FNPT	CPVC	1	Not Included
18	Pipe Clamp	1" M8 Thread w/Bolts	304SS	1	Included
19	Stent A	Drawing work piece	304SS	1	Included
20	U Pipe Clamp	4"	304SS	2	Included
21	Shaft Pin	φ10×L100	304SS	3	Included
22	Stent B	Drawing work piece	304SS	1	Included