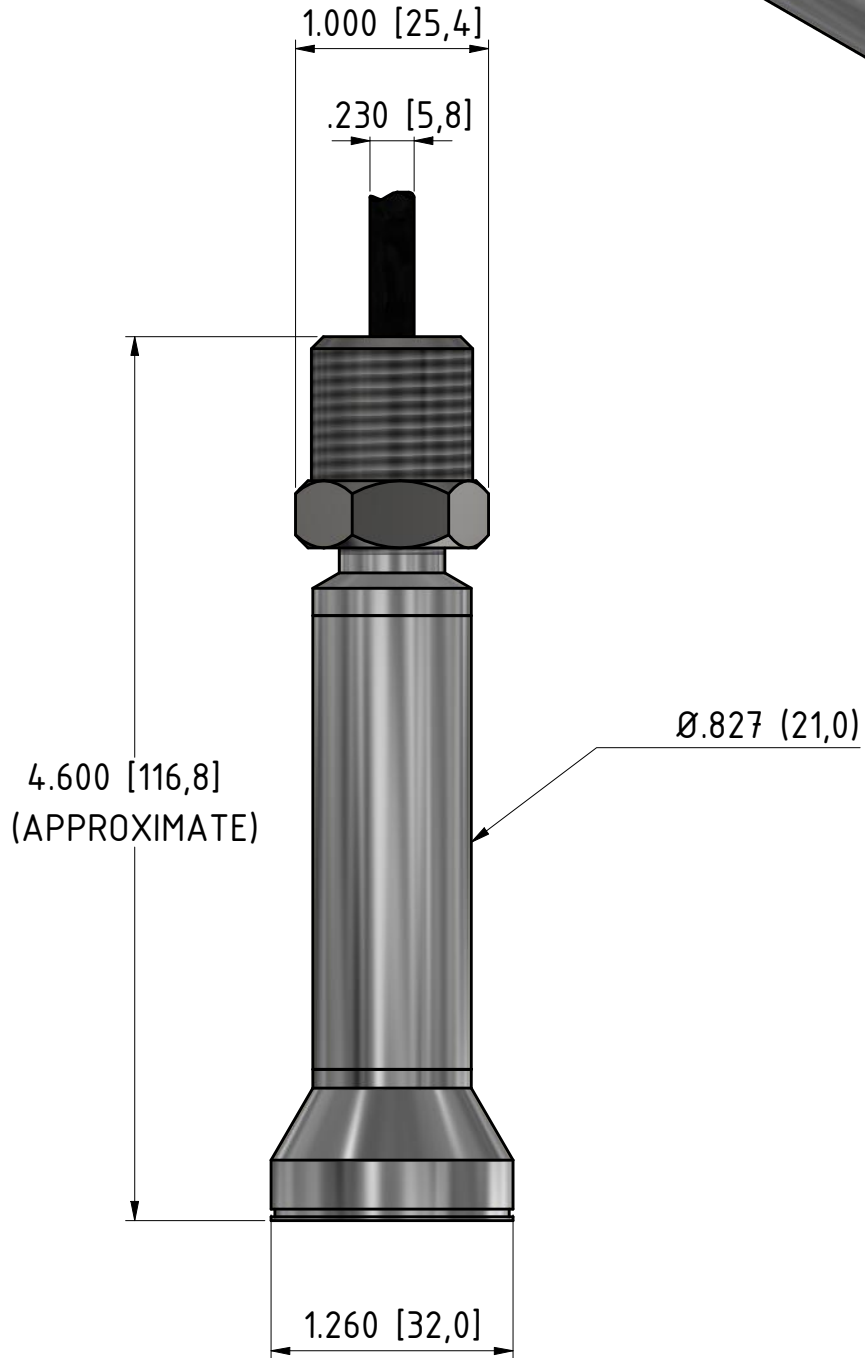
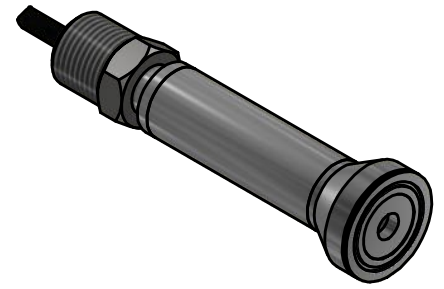


The reproduction, distribution and utilization of this drawing as well as the communication of its contents to others without express authorization is prohibited. Offenders will be held liable for the payment of damages. All rights reserved in the event of the grant of a patent, utility model or design. THIS DOCUMENT IS RESTRICTED AND CONFIDENTIAL (According to ISO 16016)



NOTES:

- 1) KAM PROJECT #1087
- 2) SALES ASSEMBLY: KAM-S-01035-02

Revision notice (A) :

Refer to protection notice ISO 16016	Global tolerances: ISO 8015	Dimensioning unit: in [mm]	Created		
Subject to technical modifications	Product No.:	Substitutes:	Designed:	MTB	9/25/2023
Product description:		Material:	Checked:		
LevelRat w/1/2" Conduit Fitting - Outline Drawing		Series:	Revised:		
			Approved:		



Level and Pressure Measurement



Newport News VA
+1 757 596 6680
www.kellerafrica.com

Scale: 1:1
DIN-A4

Sheet: 1/1

Drawing No.:
KAM-S-01036-02

Rev.:
A