

7 Sensor Wiper Replacement Instructions

Replacement of wiper arm assembly is outlined below.

Step 1 Set the wiper arm assembly to a horizontal position after powering off the sensor.

Step 2 Remove the M2 screw that holds the wiper arm assembly nut.

Step 3 Remove the old wiper arm assembly.

Step 4 Install the wiper arm assembly to the sensor.

Step 5 Install the new M2 screw into the nut.



Figure 29
Set wiper arm to horizontal position



Figure 30
Remove the M2 screw

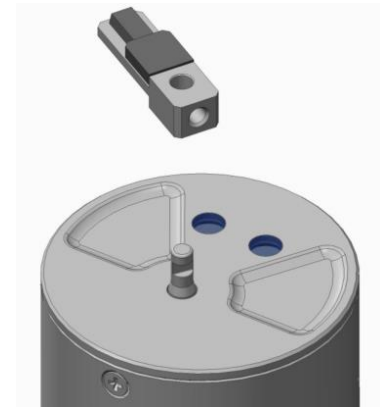


Figure 31
Remove the old wiper arm



Figure 32
Install the new wiper arm



Figure 33
Install the new M2 screw into the new wiper arm nut