

7310 Series

POLYSULFONE TUBE

An economical 304 stainless steel case with a molded polysulfone metering tube for lighter duty applications where a case enclosed meter is preferred.



DESCRIPTION

Metering Tube	Molded polysulfone
Internal Components	316L SS, Teflon®, PVDF Polysulfone or Hastelloy® C-276
Fitting Material	Standard: 316L SS Optional: PVC, PVDF
Inlet/Outlet Fittings	FNPT, vertical
O-Ring	Standard: Viton® Optional: Buna N, EPR, and Kalrez®
Case and Shield	304 SS case Polycarbonate shield

PERFORMANCE

Capacities	Water (PVDF float)	0.5 GPM
	Water (Teflon® float)	1 to 100 GPM
	Water (Metal float)	1.5 to 160 GPM
	Air	6.1 to 330 SCFM
Scale	127 mm (5") direct reading, detachable	
Accuracy	± 3% of full scale flow	
	± 5% of full scale flow (120 & 150 GPM Metal floats)	
	± 6% of full scale flow (Teflon® & PVDF floats)	
Turndown	10:1	
Repeatability	.5%	
	1% (120 & 150 GPM Metal floats)	
	1% (Teflon® & PVDF floats)	
Maximum Temperature	316L SS fittings	200° F (93° C)
	PVC fittings	130° F (54° C)
Maximum Pressure	316L SS fittings	200 psig
	PVC & PVDF fittings (sizes 41W to 72W)	150 psig
	PVC & PVDF fittings (sizes 90W to 103W)	125 psig
Ambient Temperature	33° F to 125° F (1° C to 52° C)	

OPTIONS

Alarm	Latching Reed Switch (See page 60)
Certified Calibrations	Conform to ISA RP 16.6
Scales	Any volumetric unit

FLOATS

Options for rotameter float materials and designs extend flow ranges for different fluids within a given rotameter tube design.



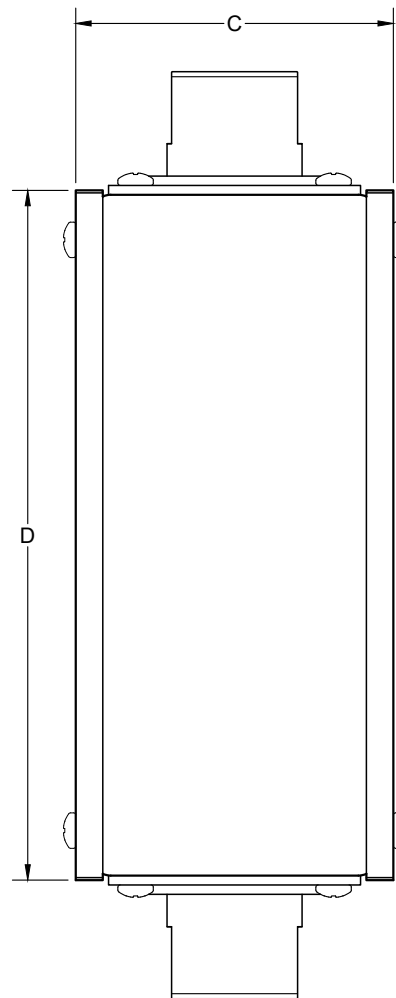
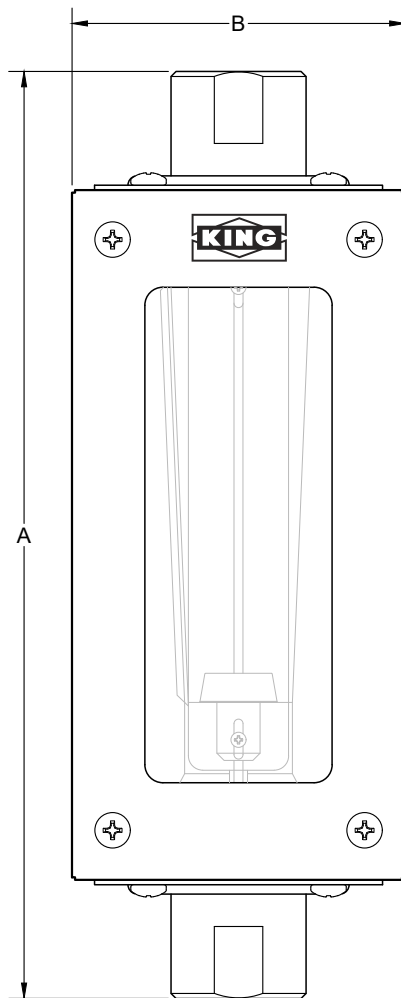
7310 Specifications

POLYSULFONE TUBE

DIMENSIONS - WATER & AIR METERING

Order Number Water	Order Number Air	Dimensions (Inches)			
		A	B	C	D
41W - 46W	43A - 44A	12.875	4.625	4.50	9.58
51W - 56W	53A - 54A	12.875	4.625	4.50	9.58
61W - 72W	65A - 67A	12.875	4.625	4.50	9.58
90W - 103W	99A, 95A	16.000	6.250	6.25	13.25

DIMENSION DIAGRAMS



7310 Specifications

POLYSULFONE TUBE

SPECIFICATIONS – WATER

Order Number	Flow Range Water	Float Material	Float Number	Float Type	Alarm Option	Connect Size FNPT
41W	0.5 GPM	PVDF	4-TSL-01	SL	no	1/2"
42W	1 GPM	Teflon®	4-TSL-02	SL	yes	1/2"
43W	1.5 GPM	316L SS	4-SSL-01	SL	yes	1/2"
44W	3 GPM	316L SS	4-SSL-02	SL	yes	1/2"
45W	1.6 GPM	Hastelloy®	4-HSL-01	SL	yes	1/2"
46W	3.2 GPM	Hastelloy®	4-HSL-02	SL	yes	1/2"
51W	2.4 GPM	Teflon®	5-TSL-01	SL	yes	3/4"
52W	5 GPM	Teflon®	5-TSL-02	SL	yes	3/4"
53W	6 GPM	316L SS	5-SSL-01	SL	yes	3/4"
54W	10 GPM	316L SS	5-SSL-02	SL	yes	3/4"
55W	6.3 GPM	Hastelloy®	5-HSL-01	SL	yes	3/4"
56W	10.6 GPM	Hastelloy®	5-HSL-02	SL	yes	3/4"
61W	7.6 GPM	Teflon®	6-TSL-01	SL	yes	1"
62W	10 GPM	Teflon®	6-TSL-02	SL	yes	1"
63W	15 GPM	Teflon®	6-TSL-03	SL	yes	1"
64W	20 GPM	Teflon®	6-TSL-04	SL	yes	1"
65W	12 GPM	316L SS	6-GVL-01	GV	yes	1"
66W	18 GPM	316L SS	6-SSL-02	SL	yes	1"
67W	25 GPM	316L SS	6-SSL-03	SL	yes	1"
68W	35 GPM	316L SS	6-SSL-04	SL	yes	1"
69W	13 GPM	Hastelloy®	6-HSL-01	SL	yes	1"
70W	19 GPM	Hastelloy®	6-HSL-02	SL	yes	1"
71W	26.5 GPM	Hastelloy®	6-HSL-03	SL	yes	1"
72W	37 GPM	Hastelloy®	6-HSL-04	SL	yes	1"
90W	40 GPM	Teflon®	9-TSL-00	SL	yes	2"
91W	60 GPM	Teflon®	9-TSL-01	SL	yes	2"
92W	80 GPM	Teflon®	9-TSL-02	SL	yes	2"
94W	100 GPM	Teflon®	9-TSL-04	SL	yes	2"
99W	60 GPM	316L SS	9-SSL-00	SL	yes	2"
95W	80 GPM	316L SS	9-SSL-01	SL	yes	2"
96W	100 GPM	316L SS	9-SSL-02	SL	yes	2"
97W	120 GPM	316L SS	9-SSL-03	SL	yes	2"
98W	150 GPM	316L SS	9-SSL-04	SL	yes	2"
100W	84 GPM	Hastelloy®	9-HSL-01	SL	yes	2"
101W	106 GPM	Hastelloy®	9-HSL-02	SL	yes	2"
102W	126 GPM	Hastelloy®	9-HSL-03	SL	yes	2"
103W	160 GPM	Hastelloy®	9-HSL-04	SL	yes	2"

SPECIFICATIONS – AIR

Order Number	Flow Range Air	Float Material	Float Number	Float Type	Alarm Option	Connect Size FNTP
43A	6.1 SCFM	316L SS	4-SSL-01	SL	yes	1/2"
44A	12.4 SCFM	316L SS	4-SSL-02	SL	yes	1/2"
53A	25 SCFM	316L SS	5-SSL-01	SL	no	3/4"
54A	41 SCFM	316L SS	5-SSL-02	SL	yes	3/4"
65A	50 SCFM	316L SS	6-GVL-01	GV	yes	1"
66A	76 SCFM	316L SS	6-SSL-02	SL	yes	1"
67A	100 SCFM	316L SS	6-SSL-03	SL	yes	1"
99A	245 SCFM	316L SS	9-SSL-00	SL	yes	2"
95A	330 SCFM	316L SS	9-SSL-01	SL	yes	2"

ORDERING:

Use the following guide to determine the specific product number you require.

7	3	1	1								
---	---	---	---	--	--	--	--	--	--	--	--

Meter Series

Fitting Material

Float Material

O-ring Material

Alarm*

Order Number

316L SS - 2
PVC* - 3
PVDF* - 7

316L SS - 2
Hastelloy® C-276 - 4
Teflon® - 6
PVDF - 7

EPR - 1
Buna-N - 2
Viton® - 3
Kalrez® - 4

No Alarm - 0
With Alarm - A

See Specification above

* Not for air service.

Teflon® is a registered trademark of the Chemours Company

* FLOW RATES MAY VARY FOR METER WITH ALARMS AND TEFLON FLOATS