

# AMP-1-N

Preamplifier & Signal Conditioners  
For NAMUR Sensors

## Features

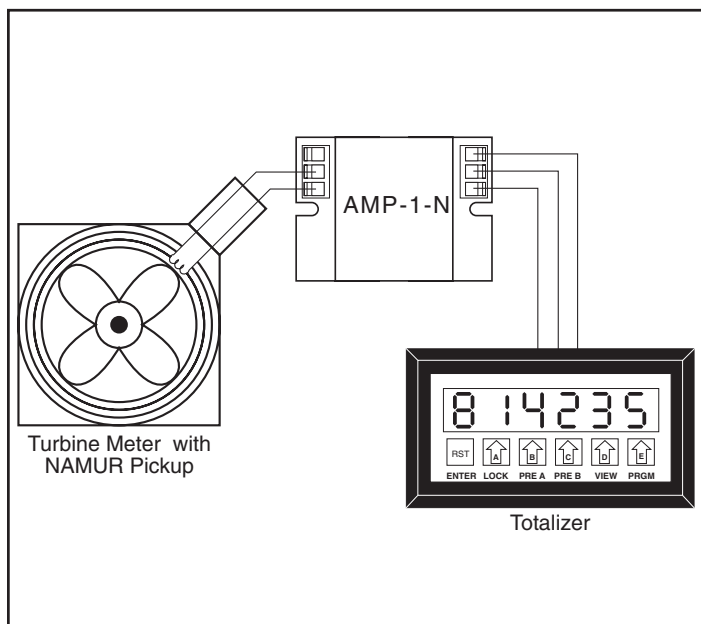
- NAMUR Compatible Sensitivity.
- 100 mA Current Sinking Output.
- 11 to 26 VDC Power Supply Range.
- Easy Mount Metal Housing.
- Screw Terminal Hookup.



## Description

The KEP AMP-1-N powers and conditions the low level signals from NAMUR pickups, sensing gear teeth movement or flow, and provides a high level pulse output suitable to drive any KEP ratemeter, counter or controller.

## Application



## Specifications

### Environmental

Operating temperature: 32° to 140° F (0° to 60° C)  
Storage temperature: -40° to +85° C  
Humidity: 0 - 95% non-condensing

### Power Input

Power requirement: 11-26VDC; 30mA maximum  
Sensor Supply: 8VDC  $\pm$  1 VDC

### Input Characteristics

Input impedance: 1000 ohm nominal  
Input frequency : 0 - 10kHz  
Input current: High: > 3mA  
Low: < 1 mA

### Output Characteristics

Output Type: Open collector with internal 2700 ohm pull-up resistor to supply voltage.  
Max. sink current: 100mA sink to 1V or less

### Approvals:

CE approved; Light Industrial  
Fast transient: 500V (capacitive clamp)  
EMI: No effects at 3V/m  
ESD: 8kV (case grounded)



Kessler-Ellis Products Co. 10 Industrial Way East, Eatontown, NJ 07724  
Toll Free: 800-631-2165 • Phone: 732-935-1320 • Fax: 732-935-9344

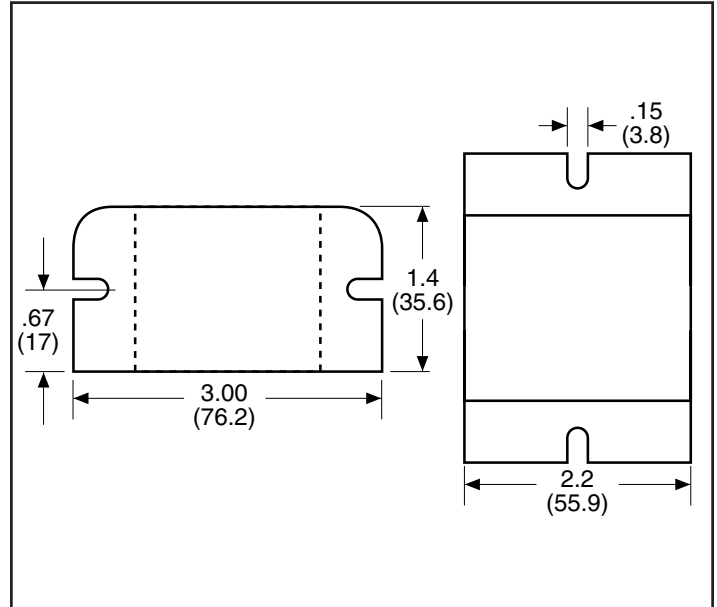
**Installation**

The AMP-1-N is mounted in a rugged 2" x 3" metal housing with screw terminals for easy installation.

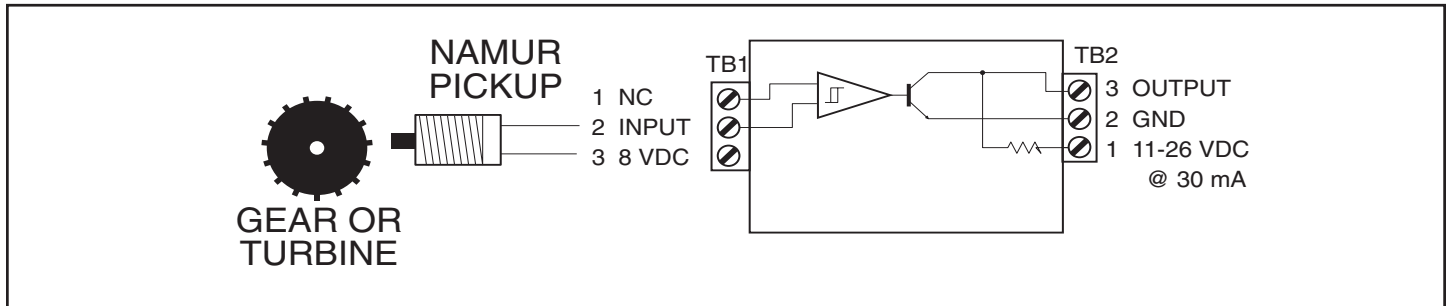
When installing the AMP-1-N the metal case housing must be grounded.

All input and output connections should be run with shielded cable. Connect cable shield to shield terminal of AMP-1-N (TBI pin 1). The signal line from the NAMUR pickup to the AMP-1-N must be less than 100 ft. in length, shielded and separated from relays, solenoids or other sources of electrical noise.

**Dimensions:**



**Sample Hookup :**



**WARRANTY**

This product is warranted against defects in materials and workmanship for a period of two (2) years from the date of shipment to Buyer.

The Warranty is limited to repair or replacement of the defective unit at the option of the manufacturer. This warranty is void if the product has been altered, misused, dismantled, or otherwise abused.

ALL OTHER WARRANTIES, EXPRESSED OR IMPLIED, ARE EXCLUDED, INCLUDING BUT NOT LIMITED TO THE IMPLIED WARRANTIES OF MERCHANTABILITY AND FITNESS FOR A PARTICULAR PURPOSE.

**SIMPLY ORDER:**

AMP -1-N: Standard unit



KESSLER-ELLIS PRODUCTS  
 10 Industrial Way East  
 Eatontown, NJ 07724  
 800-631-2165 732-935-1320  
 Fax 732-935-9344  
<http://www.kep.com>