

LSOX-SCE Precision Fluid Damped Inclinometer

0-5V DC Output – CE Marked



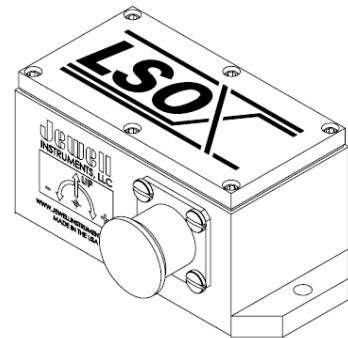
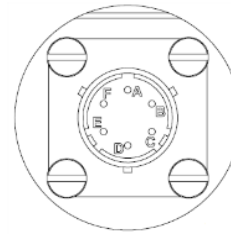
Making Sense out of Motion...

The LSOX Series Inclinometer is a rugged, high performance, single-axis, **CE marked**, tilt sensor designed for peak performance in extreme conditions. The fluid damped mechanism delivers superior noise rejection in high shock and vibration environments as well as excellent output stability. Units are available with a 6-pin connector, pin-terminals or flying leads. Available outputs include +/-5V, 0-5V and 4-20mA. Custom input ranges, filters and temperature compensation are also available on request.



Features

- *Extremely Rugged*
- *High Accuracy*
- *Temperature Compensation Available*
- *0-5Vdc Output*
- *15-30V or +/-15V DC Power Input*
- *RoHS Compliant*
- *CE Marked*



Applications

- *High-precision Geotechnical*
- *Oil and Gas/Riser Tilt Monitoring*
- *Railroad MOW Equipment*
- *Pavement Profiling Rigs*
- *Vehicle Wheel Alignment*
- *Robotics*

PIN	FUNCTION
A	POWER IN
B	COMMON
C	N/C
D	SIGNAL OUT
E	N/C
F	N/C



Jewell Instruments LLC 850 Perimeter Road, Manchester, NH 03103
 sales@jewellinstruments.com • www.jewellinstruments.com • Tel (800) 227-5955

L5OX-SCE Precision Fluid Damped Inclinometer

0-5V DC Output – CE Marked

STATIC/DYNAMIC

Input Range (deg.)	±1	±3	±14.5	±30	±60	±90
Full Range Output (VDC) ¹	0-5	0-5	0-5	0-5	0-5	0-5
Non-linearity (% FRO) ²	0.05	0.02	0.02	0.02	0.02	0.05
Scale Factor (V/g nom.)	143.2	47.8	10.0	5.0	2.9	2.5
Scale Factor Sensitivity (PPM/°C max)	350	300	100	60	60	60
Bandwidth, Hz (-3 dB)	0.5	2	15	20	30	30
Transverse Axis Misalignment (° max)	±0.25	±0.25	±0.5	±0.5	±0.5	±0.5
0° Output nominal (mA)	±0.10	±0.04	±0.02	±0.02	±0.02	±0.02
0° Output Temp. Sensitivity (V/°C max)	0.015	0.005	0.001	0.0005	0.0004	0.0003
Resolution & Threshold (µradians) ³	1	1	1	1	1	1

¹Full Range is defined "from negative full input angle to positive full input angle." ²Nonlinearity is specified as deviation of output referenced to theoretical sine function value, independent of misalignment. ³Full Resolution is achieved with noise reduction techniques.

ELECTRICAL

Number of Axes:	1
Input Voltage Range, (VDC):	+9 to +18
Input Current, mA, max:	40
Noise, µArms, maximum:	0.002
Output Impedance (ohms)	1

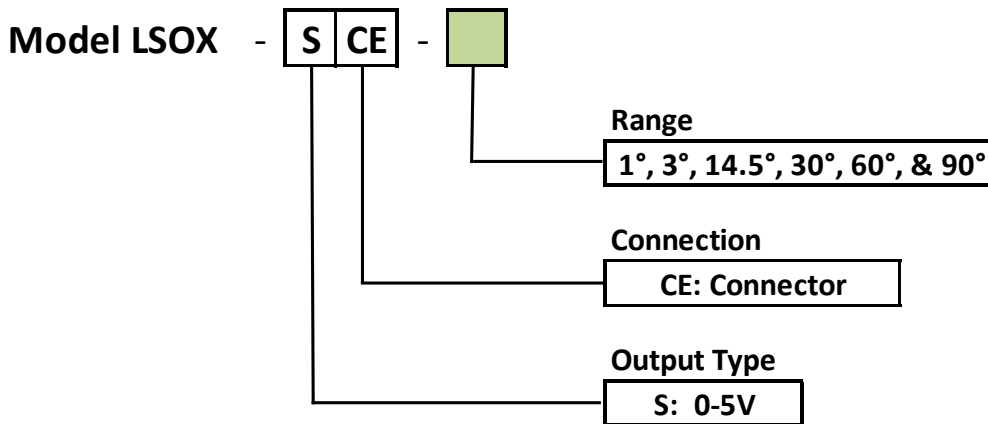
ENVIRONMENTAL

Operating Temp Range:	-40°C to +80°C
Storage Temp Range:	-60°C to +90°C
Shock:	1500g, 0.5 msec, ½ sine

ENCLOSURE

Seal:	IP66
-------	------

Order Code



L5OX-SCE Precision Fluid Damped Inclinometer

0-5V DC Output – CE Marked

Outline Drawing: Connector Version

