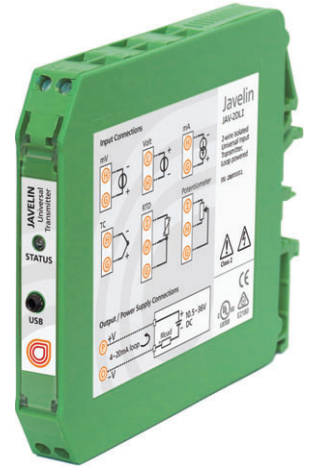


- › **2-wire universal input**
Accepts mA, V, mV, RTD, TC and potentiometer signals
- › **4–20mA current loop output**
- › **Isolated**
- › **Hassle-free DIN-rail mounting**
Space-saving (12.5mm wide) case
- › **Simple USB setup** Using Define ToolBox



General Description

The Javelin is a loop powered, isolated transmitter. One of its key features is its easy software setup using Define ToolBox. ToolBox enables simple and flexible programming of the Javelin in less than a minute, with no input signal or power supply required.

The Javelin also offers flexible input options to suit a virtually endless range of industries.

High quality signal conditioning is a popular application. The Javelin accepts input signals from sensors such as thermocouples, RTD's, and potentiometers, and converts them to an industry standard 4–20mA output signal, where they can then be processed by PLC's and other instruments.

The Javelin can also be used to convert other standard process signals (such as $\pm 10V$, 1–5V, and 0–10V) to a 4–20mA signal. Another widely used application is as a simple 4–20mA in, and 4–20mA out isolator, to protect inputs of PLC's and SCADA systems from ground loops, transients, and the effects of EMC.

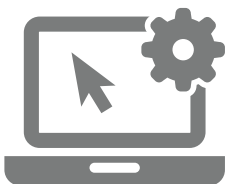
More sophisticated applications are also catered to. For example, a level signal from an odd shaped tank can be converted to a 4–20mA signal representing volume, by using the in-built linearization table.

To start exploring the capabilities of your Javelin, install ToolBox now (see Section 5).

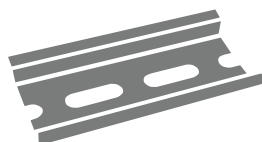
Quick start

p6

- 1 **Set up the Javelin using ToolBox (p12)**



- 2 **Install on the DIN rail (p8)**



- 3 **Wiring (p15)**



CONTENTS

Contents	2	7 - Wiring	15
Safety Notices	3	7.1 - Terminal Access	15
1 - Specifications	3	7.2 - Screw Terminal Wiring	15
1.1 - Ordering Codes	3	7.3 - Javelin Top & Bottom Views	16
1.2 - General Specifications	4	7.4 - 4–20mA Output	16
2 - Front View & Status LED	5	7.5 - Signal Input	17
2.1 - Javelin Front View	5	7.5A - Thermocouple	17
3 - Quick-Start	6	7.5B - RTD	18
4 - Hardware Installation	7	7.5C - Current	18
4.1 - Case Diagram	7	7.5D - Voltage	19
4.2 - Installation Environment	7	7.5E - Potentiometer	20
4.3 - Installation Instructions	8	8 - Maintenance	21
4.4 - EMC Installation Guidelines	9	8.1 - Calibration	21
5 - Software Installation	10	8.2 - Troubleshooting	21
6 - Software Configuration	12	A - Appendix A - EMC Test Results	22
Using ToolBox		B - Appendix B - Warranty &	23
6.1 - Bridge Key	12	User's Responsibility	
6.2 - Using ToolBox	13		
6.3 - ToolBox Interface Overview	14		

SAFETY NOTICES



For your safety and the prevention of damage to the Javelin, as well as other equipment connected to it, **please read and carefully observe all safety regulations and instructions. Consult this manual carefully in all cases where hazard symbols are marked on your Javelin unit.**



Define Instruments has not approved any change or modification to this device by users. Any modification or change could void users' authority to operate this equipment. Use of this instrument in a manner not specified by the manufacturer may compromise the protection provided by the instrument.

This instrument should not be used to directly drive valves, motors, or other actuators, unless equipped with appropriate safeguards. The safety of any system incorporating this unit is the responsibility of the assembler of the system. It is the responsibility of the user to identify potential hazards that may arise in the event of a fault to unit, and implement safeguards for the prevention of harm to persons or equipment.



Class 2

The power supply used for the Javelin must be UL rated in accordance with UL1310/UL1585 or LPS in accordance with UL60950-1.

Symbol definitions



CAUTION

Risk of electric shock
Please refer to user manual.



CAUTION

Risk of danger
Please refer to user manual.

1

SPECIFICATIONS

1.1 - Ordering codes

JAV-2DLI	USB Programmable Transmitter 2-wire isolated universal input, 4–20mA loop output	
BRIDGE-KEY*	Sold separately	USB Bridge Key for software programming

* Starred accessories are not UL approved.

1.2 - General specifications

Input

Universal 2-wire isolated input
See 7.5A–E for full specifications

Output

Output 4–20mA or 20–4mA (loop powered)

Resolution 1 μ A

Output load resistance 650 Ω at 24V DC
(50 Ω /V above 10.5V DC)

Max output current Limited to <28mA

**Isolation test voltages between input/
output** 2500V AC for 1min

Accurate to < \pm 0.03% FSO typical

Ambient drift < \pm 0.003%/°C FSO typical

Response time 400msec typical (10–90%
300msec typical)

Power

Power supply 10.5–36V DC

Supply voltage sensitivity < \pm 0.005%/V FSO

USB programming

Simple software programming
Connect using the Bridge Key (sold separately). Program in less than a minute using Define ToolBox (see Section 6).

Construction

35mm DIN rail mount casing
IP20 rated. Installation Category II; Pollution Degree 2; Flame resistant

Dimensions (H x W x D)
90 x 12.5 x 112mm (3.54 x 0.49 x 4.41")

Single unit weight 77g (2.7oz)

Status LED See 2.1A for status definitions

Environmental conditions

Operating temp -20 to 55°C (-4 to 131°F)

Storage temp -20 to 65°C (-4 to 149°F)

Operating humidity 5–85%RH max
(non-condensing)

Altitude 2000m (6561ft)

Compliances

IP20 enclosure rating

EMC compliance Emissions (EN 61326).
Immunity (EN 61326). Safety (EN 61010-1).

UL Listed File Number E473114

2

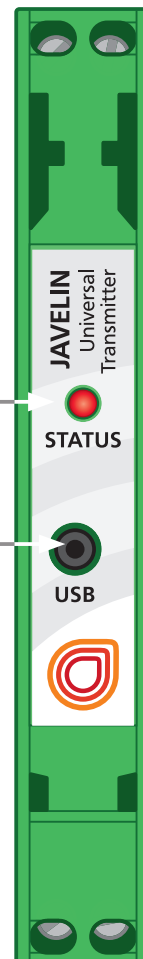
FRONT VIEW & STATUS LED

2.1 - Javelin front view

A Status LED *See 8.2 for Troubleshooting*

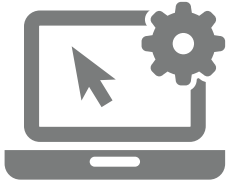
LED State	Definition
On for 2 sec	Power supplied - starting up
Flashing (1/2 sec on, 1/2 sec off)	Operating normally
Flashing (3 sec on, 1 sec off)	Sensor break
On continuously	Fault
Off	Fault, or no 4–20mA current

B USB Programming Jack
See 6.1 for connection instructions



3

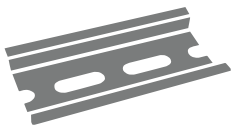
QUICK-START



1 - Configure your Javelin using ToolBox

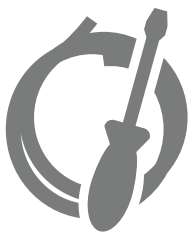
The Javelin's factory default input is RTD Pt100 (0–100°C) . If you wish to keep the default, or your distributor has already configured the Javelin for you, skip to Step 2 now. To change your input type or output scaling:

- A Install Define ToolBox (see Section 5).
- B Connect the Javelin to your computer using the USB Bridge Key (see 6.1). Then launch ToolBox and click the 'Connect' button (see 6.2).
- C Configure your system as required, referring to 6.2–6.3 in this manual, and also the Help Panel in the software. You may like to wire your transmitter now, using the diagrams in the Help Panel as a guide.
- D When you are finished, click 'Disconnect' in ToolBox, and then disconnect the Javelin from your PC.



2 - Hardware installation

- A Mount the Javelin on a DIN rail in an enclosure, referring to the instructions in Section 4.



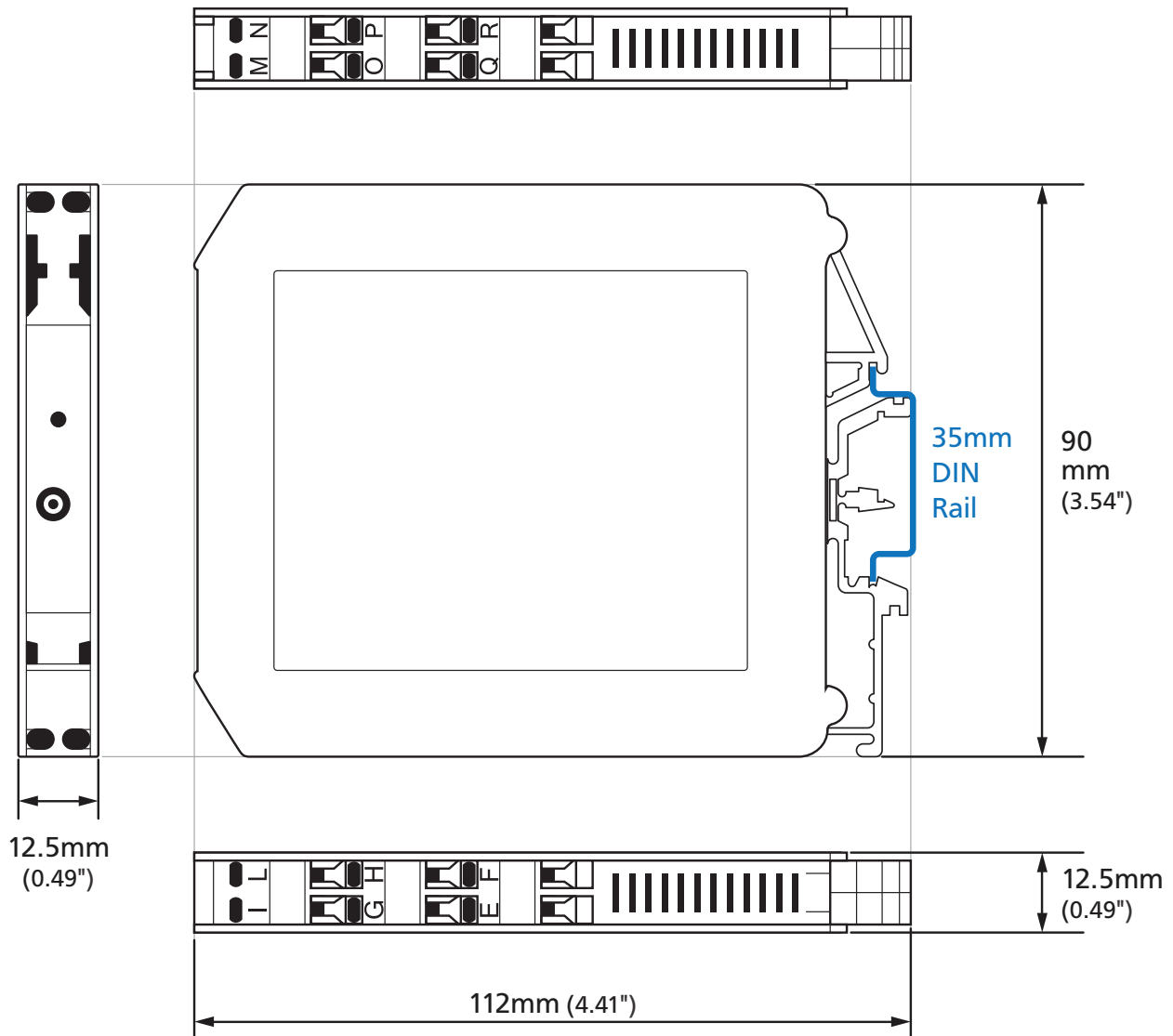
3 - Wiring

- A Wire the Javelin, starting from the terminals at the back of the unit and working towards the front of the unit. Refer to Section 7 for wiring instructions.

4

HARDWARE INSTALLATION

4.1 - Case diagram



4.2 - Installation environment

The Javelin must be installed in a location that does not exceed the maximum operating temperature, and at a safe distance from other devices that generate excessive heat. The installation environment should provide good air circulation to the unit.

The plastic casing and product label may be cleaned, if required, using a soft, damp cloth and neutral soap product.

Caution should be exercised when cleaning the unit to avoid water dripping inside, as this will damage the internal circuits.

4.3 - Installation instructions

The Javelin is rated IP20, and is designed for installation on a 35mm DIN rail.

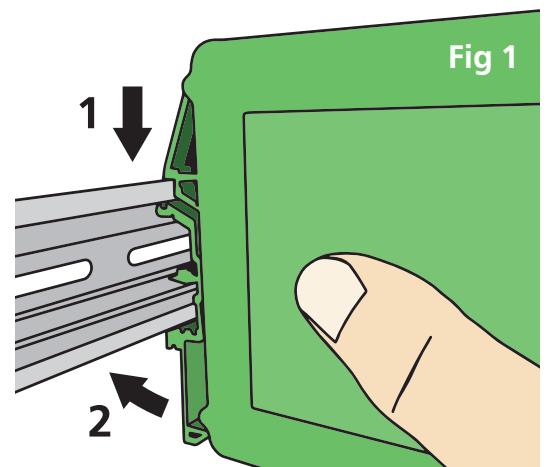
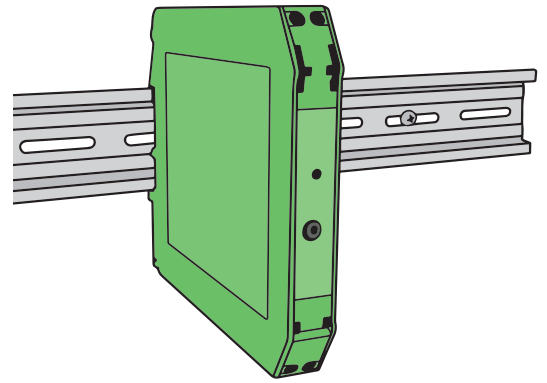
The unit must be installed in an enclosure, to protect it from weather conditions and dust, and also to prevent any accidental contact with potentially hazardous voltages.

A - DIN Rail Mounting (Fig 1)

To clip the unit onto the DIN rail:

(1) Hook the upper part of the unit onto the rail, and then (2) Press down towards the rail until the lower hook clicks into place.

The Javelin may be mounted side-by-side with other Javelins on the DIN rail. Allow at least 5cm (1.97") clear space above and below the unit for airflow and wiring.



2

B - Wiring

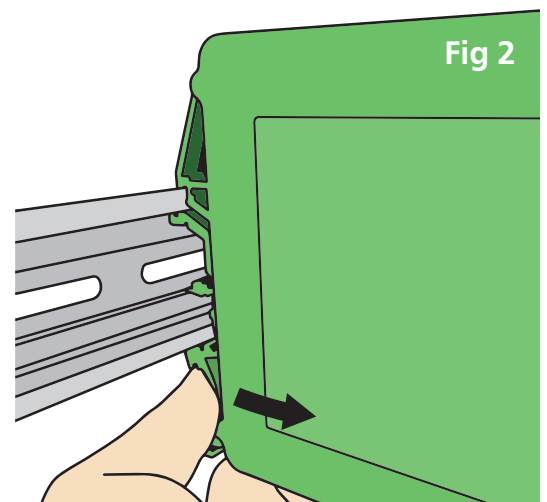
Refer to Section 7 in this manual.

C - Removal from DIN Rail (Fig 2)

The unit may be unclipped from the DIN rail if required by pressing the straight tab under the rail.

Squeeze the tab towards the back of the Javelin with your finger, while levering the whole unit up with your other hand.

This will release the hook, allowing the unit to be detached from the DIN rail.



4.4 - EMC installation guidelines

The Javelin has been designed to cope with large EMC disturbances. This has been achieved by continual testing and improvement of filtering and layout techniques over many years.

The Javelin meet CE noise requirements, and even surpass them in many tests. (For full details and test results, see Appendix A.) However in some applications with less than optimum installations and large power switching, the EMC performance of the Javelin can be further improved, by:

- A** Installing the unit in an earthed metal enclosure. This is particularly useful if the control box is mounted close to large power switching devices like contactors. Every switching cycle there is a possibility of generating a large amount of near field radiated noise. The metal enclosure, acting as a faraday cage, will shunt this radiation to ground and away from the Javelin.

Further improvements can be made with this type of noise by increasing the physical distance from the power devices. For example, increasing the control box distance from 6" to 12" from the noise source will reduce the noise seen by the control box by a factor of 4. Probably the cheapest and best results in this situation could be obtained by adding RC snubbers to the contactors or power switches.
- B** Using shielded cable on sensitive input and control signal lines. Good results can be obtained by grounding the shields to the metal enclosure close to the entry point. All cables act as aerials and pick up unwanted R.F. radiated signals and noise; the earthed shield acts as a faraday cage around the cables, shunting the unwanted energy to ground.

Shields can also help with capacitively coupled noise typically found in circumstances when signal cable is laid on top of noisy switching power cables. Of course in this case you are better off to keep separate signal and power lines.
- C** Laying cable on earthed cable trays can also help reduce noise seen by the Javelin. This is particularly useful if there are long cable runs, or the unit is close to radiating sources such as two way radios.

5 SOFTWARE INSTALLATION

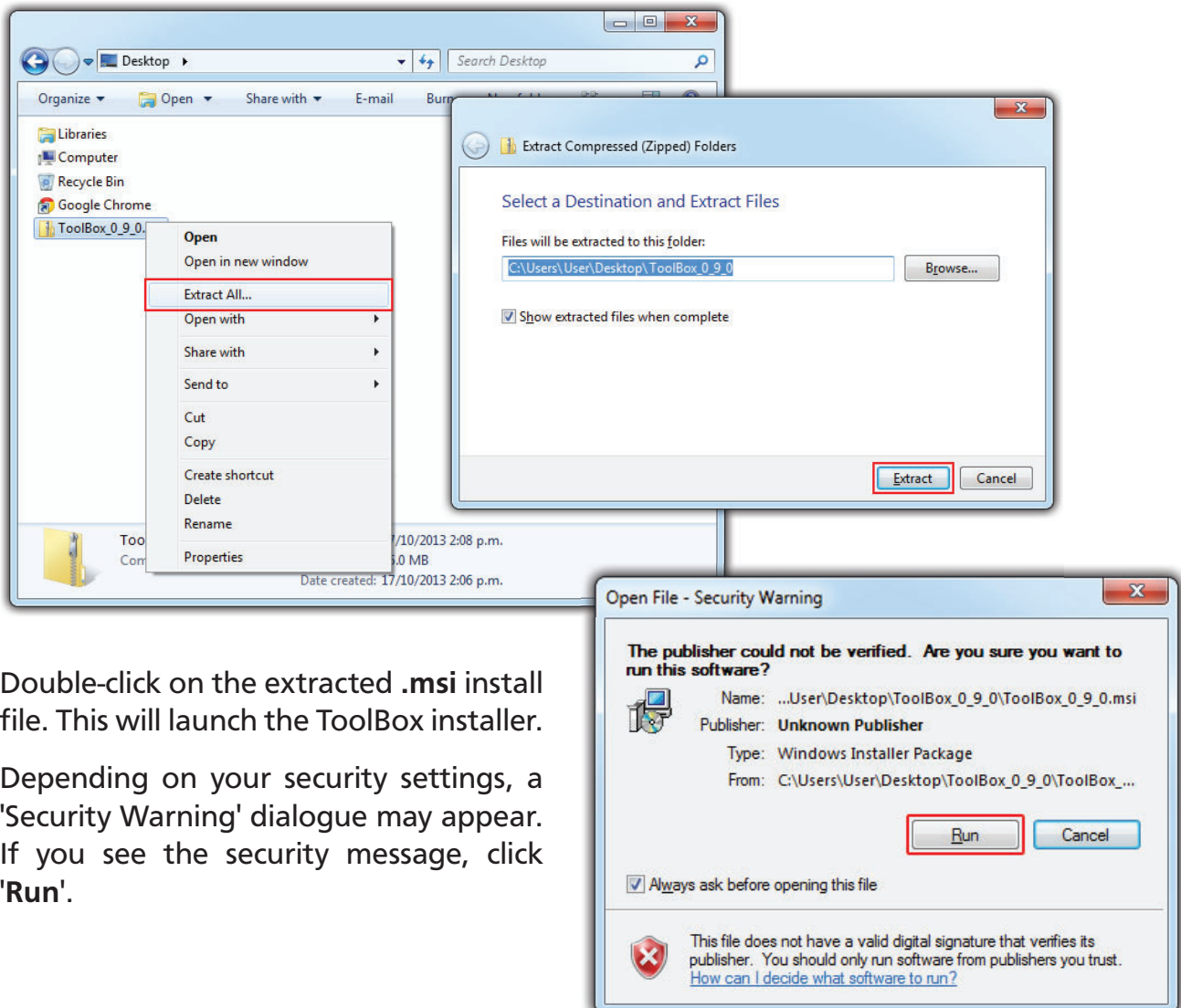
ToolBox offers a smart, no-fuss setup experience for your Javelin, and has been designed to simplify and speed up configuration.

You must install ToolBox before connecting the Javelin to your computer. If you have already connected your Javelin using the Bridge Key, please disconnect before continuing.

- A** Download the latest version of ToolBox from www.defineinstruments.com/toolbox

For ease of access, we recommend saving the install file on your desktop. If you cannot locate the install file, check whether your browser has saved it in your Downloads folder.

- B** Extract the install file from the zip folder. Right-click on the zip folder and choose 'Extract All', (or extract the file using another extraction utility of your choice).



- C** Double-click on the extracted .msi install file. This will launch the ToolBox installer.

Depending on your security settings, a 'Security Warning' dialogue may appear. If you see the security message, click 'Run'.

- D** The ToolBox setup wizard will launch.

Click '**Next**' to get started.

- E** The wizard will also ask for confirmation that you wish to begin the installation.

Click '**Next**' to continue.



- F** The wizard will prompt you to select an installation folder.

You may accept the default installation folder, or select an alternative location by clicking '**Browse**'.

Click '**Next**' to continue.

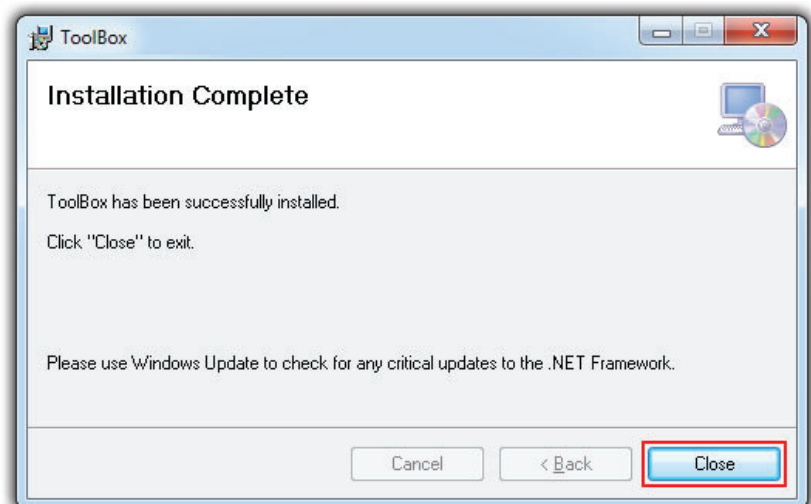
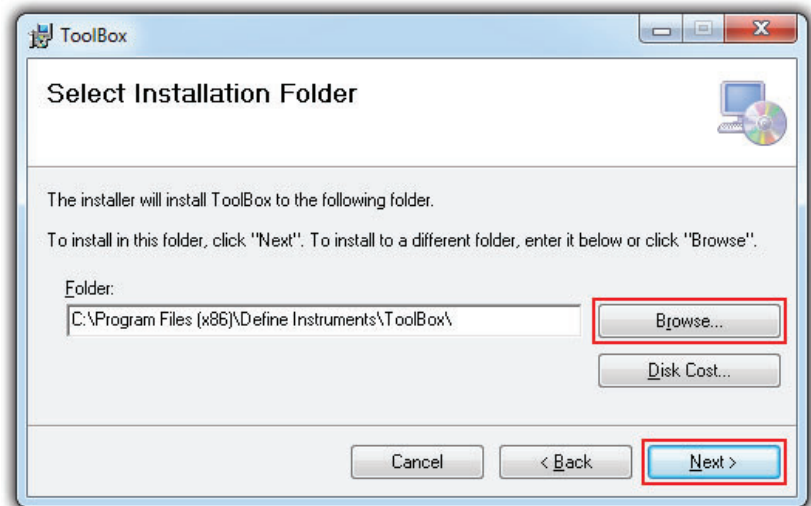
- G** The install wizard will now install ToolBox.

Please wait. This process usually takes 2-3 minutes, but may take longer in some situations.

- H** When the installation has successfully completed, the following dialogue will appear. Click '**Close**' to exit.

The installer will place an icon on your desktop for easy access to ToolBox.

The downloaded **.zip** and **.msi** installer files are no longer needed, and may be deleted if desired.



6

SOFTWARE CONFIGURATION USING TOOLBOX

6.1 - Bridge Key

Install the ToolBox software (see Section 5) before connecting the Javelin to your PC.

Connect the Javelin to your computer's USB port using the Bridge Key. No power supply is required during programming, as the Javelin is powered by the USB.

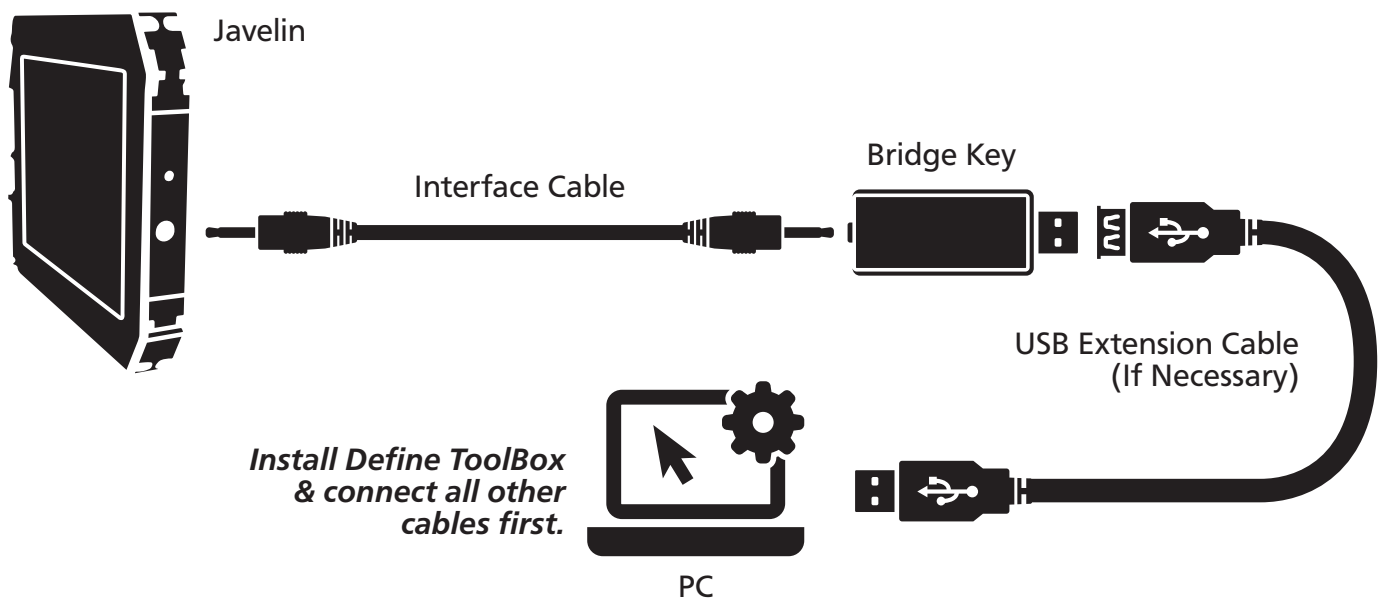
The interface cable connects to the USB programming jack on the front of the Javelin (see 2.1B). A USB extension cable is supplied for your use if required - this is often used for convenience in accessing USB ports located at the back of the computer.

**CAUTION - Risk of damage**

Ensure that all connections between the Bridge Key and your Javelin are secure. Attempting to connect when cables are not firmly pushed in may result in connection faults, and could also cause damage to the unit or your PC. Always use the windows 'Safely remove hardware' function before unplugging the Bridge Key from your computer.

**CAUTION****Not UL approved**

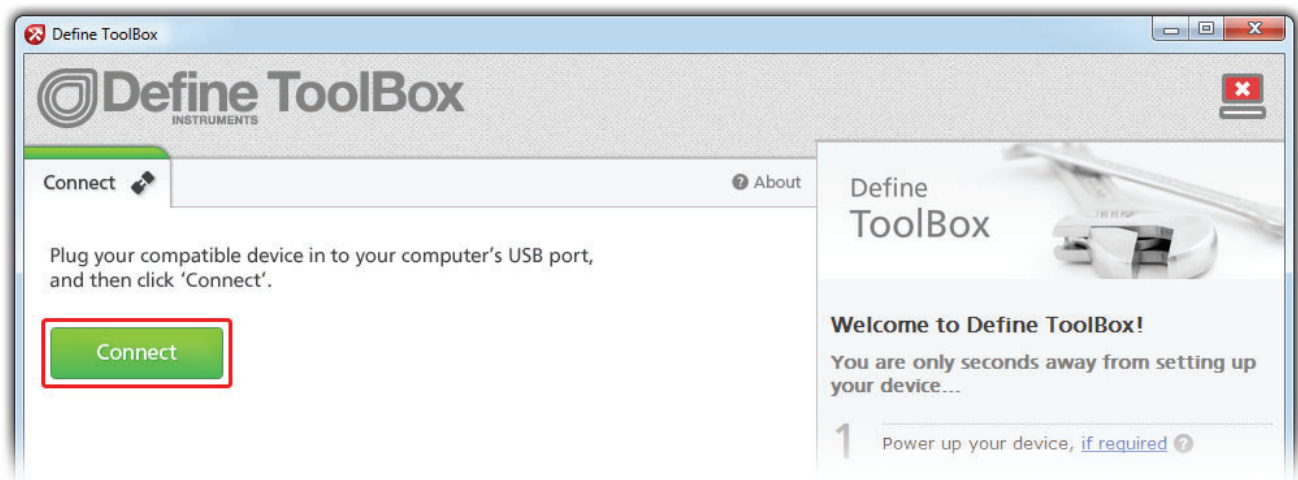
The Bridge Key is sold separately to the Javelin and has not been certified for UL.



6.2 - Using ToolBox

Define ToolBox enables full configuration of your Javelin. To set up the transmitter, **only the Bridge Key is required. No power supply or input signal is needed.**

- A Referring to the instructions in Section 5, download and install the latest version of ToolBox from: **www.defineinstruments.com/toolbox**
- B Connect the Javelin to your computer using the Bridge Key as shown in 6.1.
- C Double-click the ToolBox icon on your desktop to launch the ToolBox program.
- D Click the green '**Connect**' button. This will scan your computer's Com ports and automatically connect to your device.



Input/Output

The Input/Output tab is the main area for configuring your Javelin. Select your pre-calibrated input type, and adjust the input range and units.

If the unit is wired and powered up, you can also view a live graph of the analogue output - great for commissioning!

Advanced

Advanced features enable you to save a configuration, or load a previously saved configuration. This provides a simple way to duplicate a configuration, for cloning or troubleshooting.

It is also possible to export a PDF configuration certificate, with custom fields for support contact information.

Dynamic help panel

The dynamic help panel auto-updates with relevant explanations, diagrams and tips as you configure your Javelin.

Connection problems?

ToolBox will auto-detect and connect to your Javelin when you click the '**Connect**' button. If you encounter connection problems:

- › Ensure that all connections between the device and your computer are secure.
- › Try disconnecting and reconnecting the USB, or using a different USB port on your PC.
- › Disconnect any additional compatible devices. The software's auto-detect feature will not work if multiple compatible devices are connected to your computer at the same time.

6.3 - ToolBox interface overview

Main Navigation Tabs

Input/Output and Advanced configuration pages.

Control Area

Main control area for configuring your system. Any changes made in this area will bring up the **Apply Bar** (see below)

Connection Panel

Disconnect button
Connection status

The screenshot displays the ToolBox interface for configuring the Javelin system. At the top, there are two main navigation tabs: 'Input/Output' (selected) and 'Advanced'. Below the tabs is the 'Control Area' containing various configuration options for the input and output. The 'Input' section shows a 'Current Value' of 0.000, 'Input Mode' set to VDC, and 'Input Range' set to 0-10V. The 'Output (Retransmission)' section shows a 'Display Value Of' 0 = 4.000 mA Output and a 'Display Value Of' 100 = 20.000 mA Output. The 'Output Value' is currently 4 mA. A graph below the output section shows a signal level around 4.000. At the bottom of the control area, a pink bar indicates 'Your configuration has unapplied changes' with an 'Apply' button. On the right side, the 'Connection Panel' shows 'Connected COM3' with a green checkmark and a 'Disconnect?' button. Below this is the 'Input Mode & Type/Range' section, which includes diagrams for '0-10V DC Input' and '10.5~36V DC' output. The '0-10V DC' diagram shows a signal source connected to terminals L and H. The '10.5~36V DC' diagram shows a power source connected to terminals P (+V) and O (-V) with a load. Below the diagrams is the '0-10V DC' text explaining that this is a common process signal. The 'Offset Adjust' section explains that this allows for fine calibration of the signal.

Apply Bar

Appears if you have made any changes in the **Control Area**. ToolBox will not allow you to browse to a new tab in the **Main Navigation** with unapplied changes to your configuration.

Help Panel

Diagrams, explanations, and helpful tips will automatically appear in this panel as you configure your Javelin.

7

WIRING

7.1 - Terminal access

Electrical connections are made via angled screw terminals on the top and bottom of the Javelin.

Due to the angle of the terminals, inserting a wire in a front terminal will block screwdriver access to the terminal directly behind it.

For example, in Fig 3 (right), the wire for Terminal L on the underside of the Javelin blocks access to Terminal H.

Because of this, the unit must be wired in sequence, starting with the terminals at the back of the unit and moving towards the front.

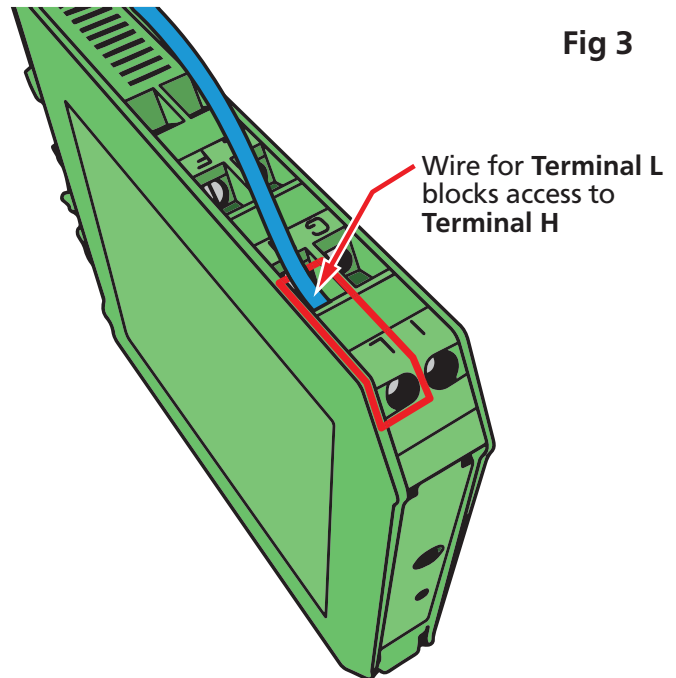


Fig 3

7.2 - Screw terminal wiring

Wiring diagrams for your Javelin can be found on the product label, in this manual (7.3–7.5), or in the Help Panel of the Define ToolBox software. When wiring your Javelin, check all connections against the terminal letters, which are embossed on the unit next to the screw for each terminal.

All conductors must conform to the unit's voltage and current ratings, and be suitably rated for the expected temperature range to be incurred.

Strip the wire, leaving around 0.25" (6mm) of bare lead exposed. If you are using stranded wire, this should be tinned with solder. Insert the lead into the terminal in the correct position, and tighten until the wire is secure. Verify tightness by pulling on the wire.

Follow all local codes and regulations when wiring and installing your Javelin. Each terminal is rated to accept one wire from #14 AWG (2.5mm) to #20 AWG. However it is also possible to accept two #18 AWG wires, or up to four #20 AWG wires.



CAUTION

All field wiring must be rated at a minimum of 80°C (176°F).

7.3 - Javelin top & bottom views

A 4–20mA Output

(Terminals O–P, See 7.4)

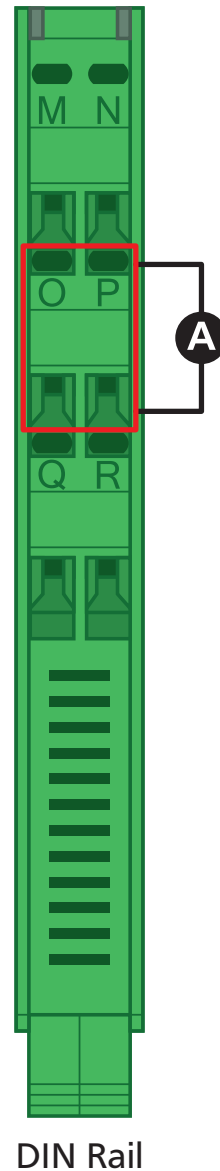
B Signal Input

(Terminals G–H & I–L, See 7.5)

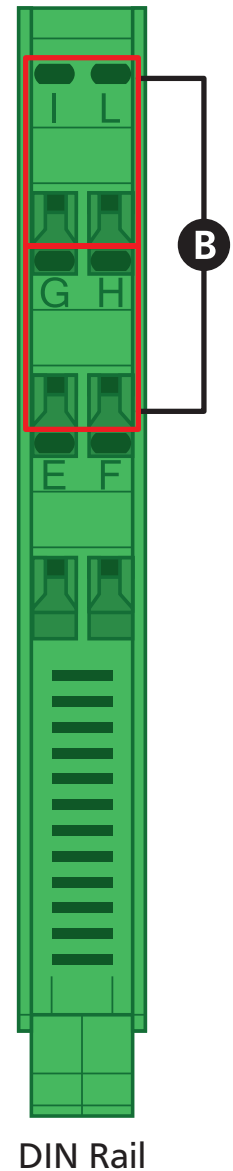
Wire terminals G–H first, where applicable. See 7.1 for more on terminal access.

Terminals Q–R, M–N and E–F are not used.

Top of Unit



Bottom of Unit



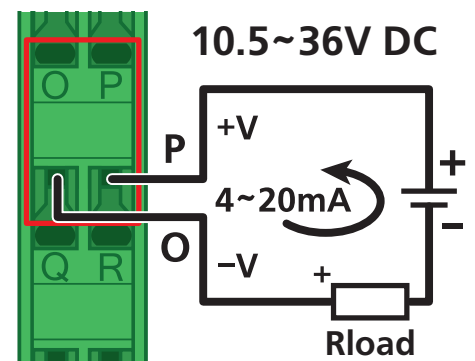
7.4 - 4–20mA Output

See 7.3A, Terminals O–P

Wire your 4–20mA loop output and 10.5–36V DC power supply as shown (right). Terminals O–P are located on the top side of the Javelin unit.



Class 2: The power supply used for the Javelin must be UL rated in accordance with UL1310/UL1585 or LPS in accordance with UL60950-1.



7.5 - Signal input

See 7.3B, Terminals G–H & I–L

Wire the universal input for your signal type, as detailed on the following pages. Input specifications and wiring for all available Javelin input types can be found below (7.5A–E). All terminals for the signal input are located on the bottom side of the Javelin unit.



CAUTION

Risk of electric shock. Dangerous and lethal voltages may be present on the terminals of the unit. Please take appropriate precautions to ensure safety.



CAUTION

Risk of danger. The sensor input can potentially float to dangerous and unexpected voltages depending on what external circuit it is connected to. Appropriate considerations must be given to the potential of the sensor input with respect to earth common.

7.5A - Thermocouple input

Thermocouple types B, E, J, K, N, R, S, T

Input impedance >500K Ω min

TC lead resistance 100 Ω max

Cold junction comp. -10 to 60°C
(14 to 140°F)

CJC drift <0.02°C/C typical for all inputs

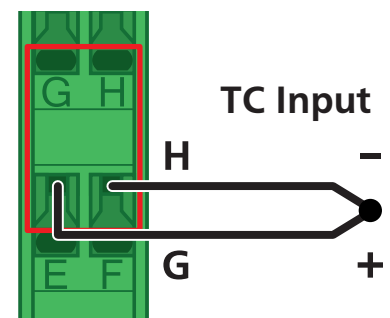
Sensor open Upscale/Downscale (software programmable)

Accuracy 0.1% of FSO \pm 1°C typical

Temperature (thermocouple)

The thermocouple (TC) is one of the most common temperature sensors used in industry. It relies on the Seebeck coefficient between dissimilar metals.

TC type is selected with reference to the application temperature range and environment. The most common TC types for general purpose applications are J and K.



Supported thermocouple types/ranges

K -200°C (-328°F) 1260°C (2300°F)

B 400°C (752°F) 1800°C (3272°F)

E -200°C (-328°F) 700°C (1292°F)

J -200°C (-328°F) 1000°C (1832°F)

Supported thermocouple types/ranges

R 0°C (32°F) 1700°C (3092°F)

S 0°C (32°F) 1700°C (3092°F)

T -200°C (-328°F) 400°C (752°F)

N -200°C (-328°F) 1300°C (2372°F)

7.5B - RTD input

RTD types

Pt100 (3-wire RTD DIN 43760:1980) or
Pt1000 (3-wire RTD standard)

Calibrated range -200 to 850°C (-328 to
1562°F), 0.1°C res

Lead resistance 10Ω/lead max
recommended

Sensor current 0.15mA continuous

Sensor open Upscale/Downscale (soft-
ware programmable)

Accuracy 0–300°C= ±0.15°C
<0°C or >300°C= ±0.3°C

Ambient drift 0.003°C/C typical

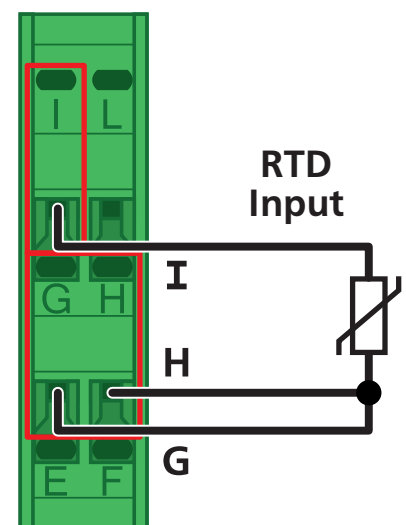
Temperature (RTD)

The RTD (standing for Resistance Temperature Device) is highly stable and accurate, and is fast becoming the most popular temperature sensor in industry. Often referred to as Pt100 and Pt1000, the Pt represents platinum (the dominant metal in its construction), and 100/1000 is the resistance in ohms at 0°C.

Note that terminals G–H must be wired first - see 7.1 for more information.

Supported RTD types/ranges

Pt100	-200°C (-328°F)	850°C (1562°F)
Pt1000	-200°C (-328°F)	850°C (1562°F)



7.5C - Current input

Range 0/4–20mA

Input resistance 10Ω

Linearity & repeatability 0.1% FSO max

Accuracy 0.1% FSO max

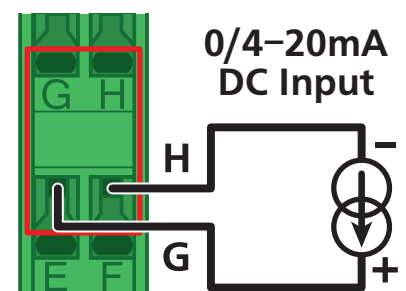
Ambient drift <50ppm/°C of FS input

Response 400msec

0/4–20mA DC

0/4–20mA DC is the most commonly used analogue signal in industry, and is universally accepted.

As a current loop, it is unaffected by voltage drops in cables, and can be transmitted over long distances without signal degradation.



7.5D - Voltage input

Ranges $\pm 200\text{mV}$, -100mV to 1V ,
 $0-10\text{V}$, $\pm 10\text{V}$, $0-50\text{V}$ DC

Input impedance $>500\text{K}\Omega$ on all ranges

Accuracy 0.1% FSO max

Linearity and repeatability

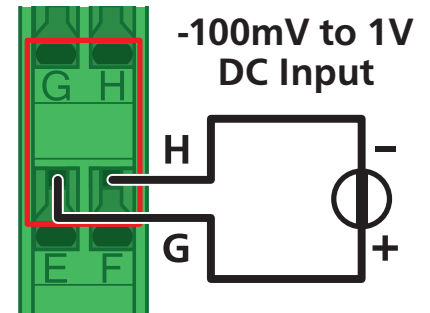
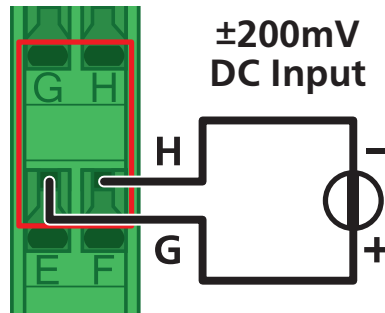
0.05% FSO max

Ambient drift $<50\text{ppm}/^\circ\text{C}$ of FS input

mV DC

For low signal applications, the Javelin supports $\pm 200\text{mV}$ and -100mV to 1V DC ranges.

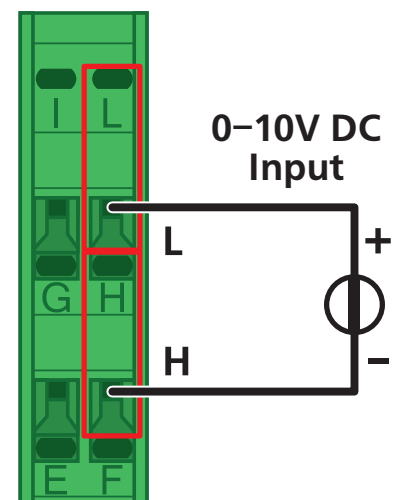
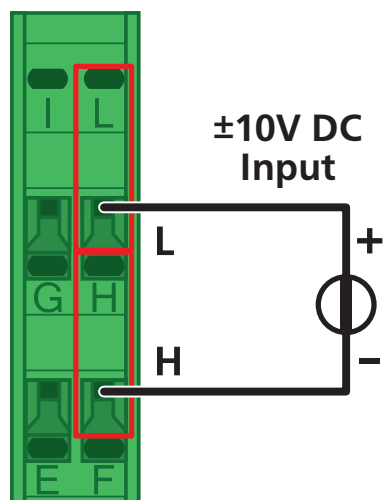
Typical applications include measuring large DC currents using external current shunts.



$0-10\text{V}$ & $\pm 10\text{V}$ DC

The $0-10\text{V}$ DC and $\pm 10\text{V}$ DC ranges are both common process signals that are generated by transmitters, meters and PLCs.

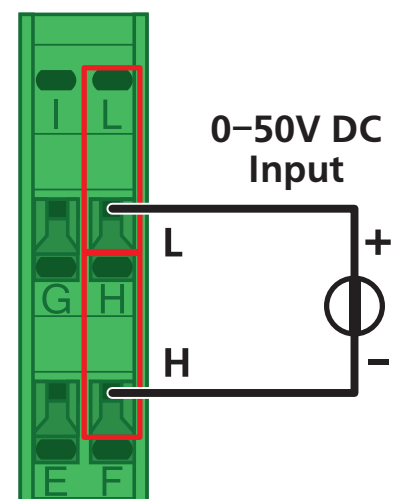
Terminal H must be wired first - see 7.1 for more information.



$0-50\text{V}$ DC

The $0-50\text{V}$ DC range is a higher voltage general purpose range is typically used to measure battery voltages, power supply outputs, etc.

Terminal H must be wired first - see 7.1 for more information.



CAUTION

Risk of electric shock

Exercise extreme caution when handling high voltage inputs.

7.5E - Potentiometer input

Potentiometer input 3-wire

Potentiometer resistance

Low range (<2K Ω) or High range (<1M Ω)

Excitation voltage Variable

Field programmable zero 0–90% of span

Field programmable span 0.1–100%

Linearity and repeatability

< \pm 0.05% FSO typical

Response time 400msec

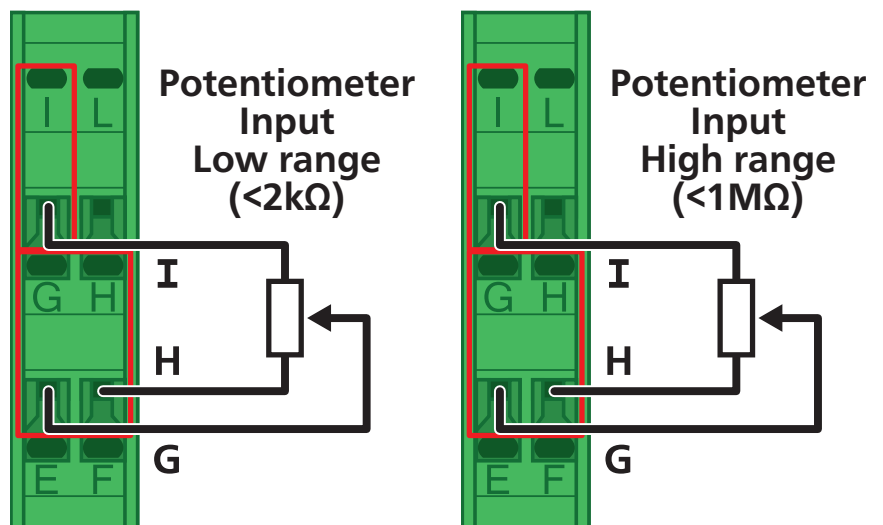
Temperature drift <50ppm/ $^{\circ}$ C

3 wire potentiometer

A 3 wire potentiometer is typically used to measure position.

The low or high potentiometer range can be programmed to your unit using the ToolBox software.

Terminals G–H must be wired first - see 7.1 for more information.



8

MAINTENANCE

8.1 - Calibration

Your Javelin has been fully calibrated at the factory, and can be recalibrated in software using Define ToolBox (see 6.2 to connect). Scaling to convert the input signal to a desired output value is also done using ToolBox.

If your Javelin unit appears to be behaving incorrectly or inaccurately, refer to troubleshooting (8.2) before attempting to calibrate it. When recalibration is required (generally every 2 years), it should only be performed by qualified technicians using appropriate equipment.

Calibration does not change any user programmed parameters. However, it may affect the accuracy of the input signal values previously stored.

8.2 - Troubleshooting

Status LED	Definition/Resolution
On for 2 seconds	Power supplied to Javelin - starting up.
Flashing (1/2 sec on, 1/2 sec off)	Javelin is operating normally.
Flashing (3 sec on, 1 sec off)	Sensor break. Check sensor and sensor connections. Replace sensor if necessary.
On continuously	Fault. Return unit for repair.
Off	Fault, or no 4–20mA current. Check power supply and connections. If OK, return unit for repair.

For further assistance, please contact technical support using the contact details listed at the end of this document.

A

APPENDIX A - EMC TEST RESULTS

The Javelin has been designed to cope with large EMC disturbances. This has been achieved by constantly testing and improving filtering and layout techniques over many years. The Javelin offers superior R.F. filtering on all inputs, outputs and power supplies, when compared to most competing products.

The Javelin not only meets CE noise requirements, but surpasses them in many tests. Furthermore, all testing was performed in plastic enclosures without shielded cabling.

Immunity - Enclosure Ports

Phenomenon	Basic Standard	Test Value	Performance Criteria
EM Field	IEC 61000-4-3	10Vm (80Mhz to 1GHz) 3V/m (1.4GHz to 2.7Ghz)	Meets Criterion A
Electrostatic Discharge (ESD)	IEC 61000-4-2	4KV/8KV contact/air	Meets Criterion A (Note 1) Meets NAMUR NE 21 recommendation

Immunity - Signal Ports

Phenomenon	Basic Standard	Test Value	Performance Criteria
Conducted RF	IEC 61000-4-6	3V(150Khz to 80Mhz)	Meets Criterion A
Burst	IEC 61000-4-4	1KV (5/50ns,5Khz) 1KV(5/50ns,100Khz)	Meets Criterion A (Note 1) Meets NAMUR NE 21 recommendation
Surge	IEC 61000-4-5	1KV L-E	Meets Criterion A (Note 1)

Immunity - AC power

Phenomenon	Basic Standard	Test Value	Performance Criteria
Conducted RF	IEC 61000-4-6	3V (150Khz to 80Mhz)	Meets Criterion A
Burst	IEC 61000-4-4	2KV (5/50ns, 5Khz) L-N 1KV (5/50ns, 5Khz) L-L	Meets Criterion A (Note 1) Meets Criterion A (Note 1)
Surge	IEC 61000-4-5	2KV L-E 1KV L-L	Meets Criterion A (Note 1) Meets Criterion A (Note 1)
Voltage Dips	IEC 61000-4-11	0% during 1 cycle 40% during 10/12 cycles 70% during 25/30 cycles	Meets Criterion A (Note 1) Meets Criterion A (Note 1) Meets Criterion A (Note 1)

Note 1: Where indicated by Note 1, EN61326-1 calls for a Criterion B pass; unit exceeds this by meeting Criterion A.

EMC Test: Performance Criteria

Performance Criterion A

During testing, normal performance within the specification limits.

Performance Criterion B

During testing, temporary degradation, or loss of performance or function which is self-recovering.

B

APPENDIX B - WARRANTY & USER'S RESPONSIBILITY

Warranty

Define Instruments warrants that its products are free from defects in material and workmanship under normal use and service for a period of one year from date of shipment.

Define Instruments's obligations under this warranty are limited to replacement or repair, at its option, at its factory, of any of the products which shall, within the applicable period after shipment, be returned to Define Instruments's facility, transportation charges pre-paid, and which are, after examination, disclosed to the satisfaction of

Define Instruments to be thus defective. The warranty shall not apply to any equipment which shall have been repaired or altered, except by Define Instruments, or which shall have been subjected to misuse, negligence or accident.

In no case shall Define Instruments's liability exceed the original purchase price. The aforementioned provisions do not extend the original warranty period of any product which has been either repaired or replaced by Define Instruments.

User's Responsibility

We are pleased to offer suggestions on the use of our various products, by way of printed matter, on our website, or through direct contact with our sales/application engineering staff.

However, since we have no control over the use of our products once they are shipped, NO WARRANTY, WHETHER OF MERCHANTABILITY, FITNESS FOR PURPOSE OR OTHERWISE is made beyond repair, replacement, or refund of purchase price at the sole discretion of Define Instruments.

Users shall determine the suitability of the product for the intended application before

using, and the users assume all risk and liability whatsoever in connection therewith, regardless of any of our suggestions or statements as to application or construction.

In no event shall Define Instruments's liability, in law or otherwise, be in excess of the purchase price of the product.

Define Instruments cannot assume responsibility for any circuitry described. No circuit patent or software licenses are implied. Define Instruments reserves the right to change circuitry, operating software, specifications, and prices without notice at any time.



Define Instruments Ltd

New Zealand (Head Office)



10B Vega Place, Mairangi Bay,
Auckland 0632, New Zealand



PO Box 245 Westpark Village,
Auckland 0661, New Zealand

Ph: +64 (9) 835-1550 | **Aus:** 1800 810-820

Fax: +64 (9) 835-1250

Email: rolla@defineinstruments.com

www.defineinstruments.com

South Africa



16B North Road, Dunkeld West 2196,
Johannesburg, South Africa

Ph: 087 945 2700

Email: dylan.swartz@defineinstruments.co.za

www.defineinstruments.co.za