

JVH High Pressure Positive Displacement Flow Meter

Common Uses

Designed for use in systems rated up to 15,000 psi (1035 bar), the JVH meters are well suited for oils, fuels, additives, and chemicals in hazardous areas. JVH meters come standard with Inconel bolts for added strength and better corrosion resistance. The internal design has reduced space between the gears and measuring chamber to reduce slippage and improve the low flow performance of the meter. Practical applications include:

- Offshore production platforms, i.e. chemical injection
- Hydraulic power units
- Gas dehydration systems
- Chemical processing plants



Technical Specifications

5 Flow Ranges	0.001 to 20 gpm (across all meter sizes)
Measuring Accuracy	±0.5% over full range with 30cP fluid, ±0.25% optional with select sensors
Repeatability	±0.1%
Max. Operating Pressure	up to 15,000 psi 1035 bar
Ports	Autoclave, Medium Pressure
Turndown	up to 400:1
Calibration	7-point logarithmic calibration

Materials of Construction

Body	316L Stainless Steel
Gears	Stainless Steel (DIN 1.4122)
Bearings	Stainless Steel Ball Bearings or Tungsten Carbide Sleeve Bushing
O-Ring	FKM or FFKM
Shafts	402 C Stainless Steel or Tungsten Carbide
Bolts	Inconel 718

Output Options

Choose from a wide variety of pickups, sensors, monitors, and controllers to pair with your gear meter:

- Frequency
- Analog (voltage or 4-20mA)
- Battery, loop, or DC powered displays

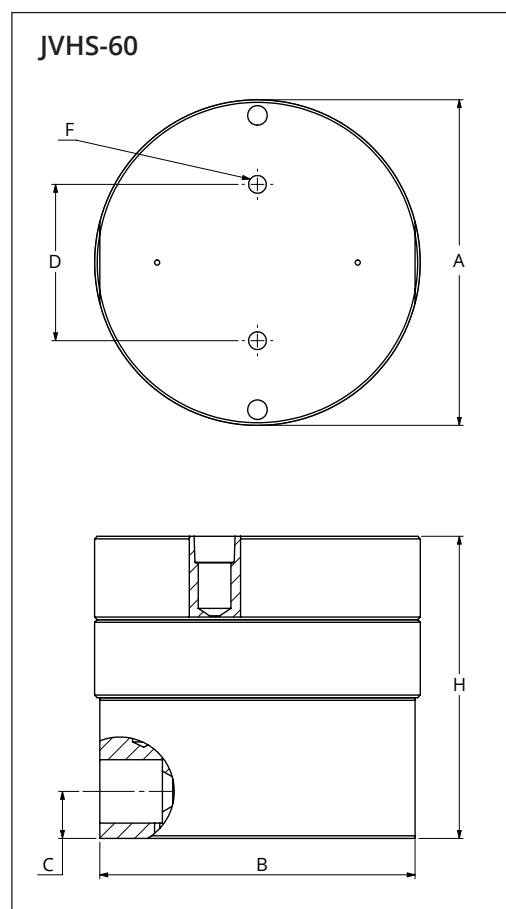
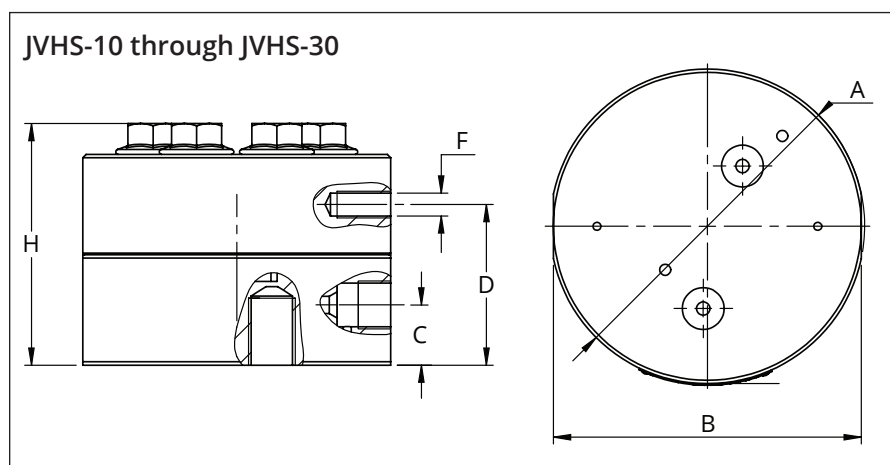
JVH High Pressure Positive Displacement Flow Meter

Meter Data

Meter Size	Flow Range			Resolution*		Ports (Med Pres Autoclave)	Filtration (microns)		Pressure (psi/bar)
	(GPM)	(LPM)	(Gal/Day)	(Impulses/Gal)	(Impulses/CC)		BB	TC	
JVHS-10	0.001-0.5	0.005-2.0	1.4-720	200,600	53.0	3/8"	30	120	15,000/1035
JVHS-12	0.005-0.8	0.02-3.0	7.2-1152	106,000	28.0	3/8"	30	120	15,000/1035
JVHS-20	0.02-2.0	0.1-7.0	28.8-2880	31,800	8.4	3/8"	30	120	15,000/1035
JVHS-30	0.1-7.0	0.5-25.0	144-10,080	13,200	3.5	3/8"	30	120	15,000/1035
JVHS-60	0.1-20.0	0.5-75.0	144-28,800	3,600	0.95	3/4"	30	200	7,500/520

* Figures shown represent resolution when using dual pickup sensor.

Meter Dimensions

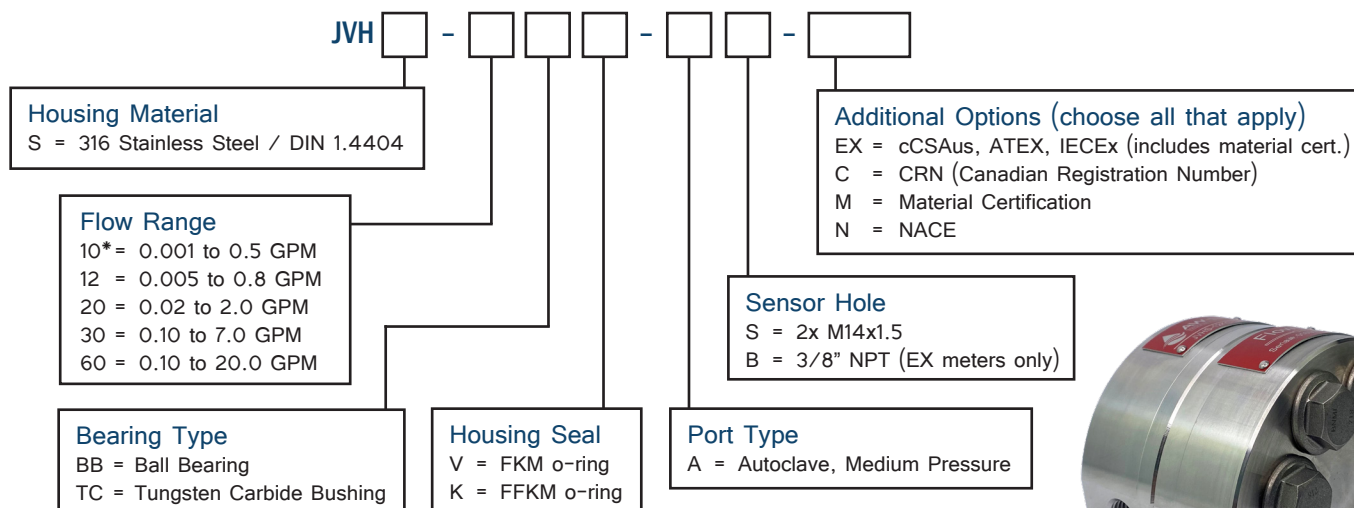


Meter Size	Dimensions						Weights	
	A	B	C	D	F (mounting hole)	H	(Lbs)	(Kg)
JVHS-10	3.7"	3.6"	0.71"	1.9"	M6x1x10mm	2.8"	7.5	3.4
JVHS-12	3.7"	3.6"	0.71"	1.9"	M6x1x10mm	2.8"	7.5	3.4
JVHS-20	3.7"	3.6"	0.71"	1.9"	M6x1x10mm	2.8"	7.5	3.4
JVHS-30	3.7"	3.6"	0.71"	2.4"	M6x1x10mm	3.3"	8.6	3.9
JVHS-60	5.0"	4.8"	0.71"	2.4"	M8x1x16mm	4.6"	24.5	11.1

3D STEP Models are available upon request of factory.
Products may be subject to change without notice. Contact factory for the most up-to-date product information.

JVH High Pressure Positive Displacement Flow Meter

Part Number Guide



*JVHS-10 size meter only available with Tungsten Carbide Bushing.

Electronics Options

AW-Lake offers a wide selection of Sensors/Pickups and Monitors/Controllers to optimize flow measurement and deliver your flow data where you need it and in the format you need it:

- Analog (Voltage & 4-20mA available)
- Frequency
- Modbus®
- HART®
- Bluetooth®
- Electronic Displays (Local & Remote Mount)
- Certified Units (UL, cCSAus, ATEX, IECEx)
- Wireless Monitoring (Radio Frequency)

Refer to website for more information.



Products may be subject to change without notice.
Contact factory for the most up-to-date product information.