



# Compact Electric Actuator JFEW Series

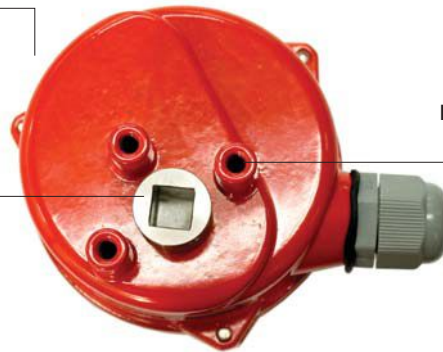


## JFEW-0020

- Suitable for small 1" ball valve automation.
- Very high efficiency & cyclic life.
- Free voltage (85~265 VAC, 1Phase) and optional 24VAC/DC
- Very compact and light weight.



PG11 Cable Gland with Wires



ISO F03 Flange

11X11mm  
Square Female Shaft  
with insert 9X9mm

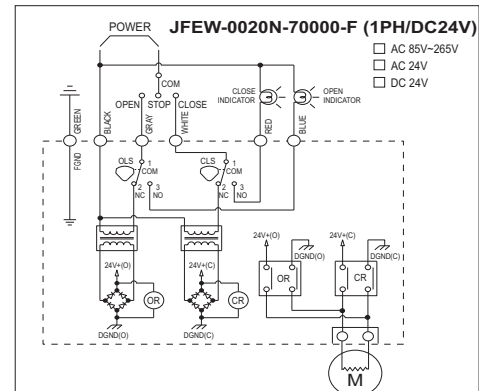
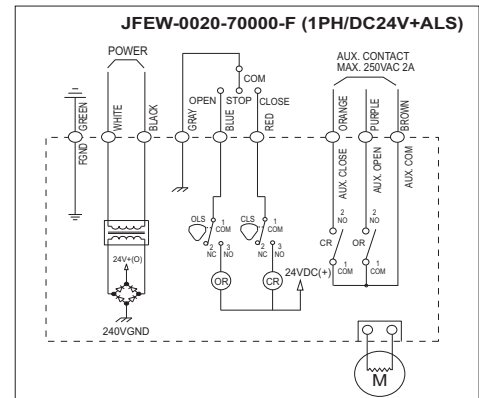
## PERFORMANCE

Model	Rate torque (Nm)	Duty cycle (%)	Operating time		Stem Adaption (Square Female shaft)	Rated current				Motor insulation class	Weight (kgs)
			50Hz /60Hz	24DC(No Load)		24V		1Phase			
						AC	DC	110	220		
JFEW-0020	25	50	11	11	11 X 11 mm	0.60	0.55	0.16	0.08	E	1

## STANDARD SPECIFICATION

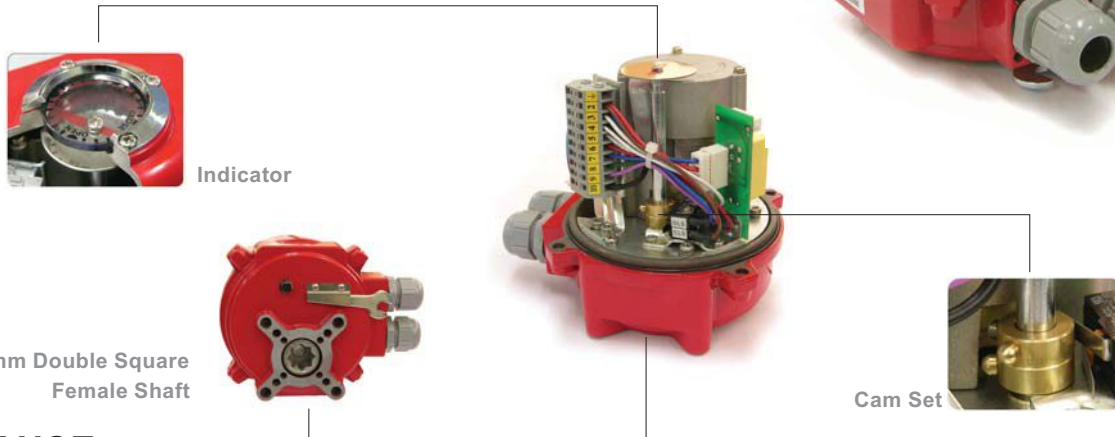
<b>Enclosure</b>	IP66, O-ring Sealed
<b>Main Power</b>	Free Voltage(110/220VAC/1Ph/50/60Hz) 24 VAC/DC
<b>Duty cycle(on-off)</b>	S2 : 50%
<b>Motor</b>	DC motor
<b>Limit switches</b>	2 ea for Open & Close (5A, 250VAC)
<b>(Option) Extra Limit switches</b>	Relays for Open & Close (5A, 250AC)
<b>Mounting</b>	ISO F03, 11 X 11 - DP12 Square female Shaft with insert 9X9mm
<b>Travel angle</b>	90°C ± 5°C
<b>Cable entry &amp; Wiring</b>	1-PG11 Cable gland with wires 30cm long
<b>Surface protection</b>	Polyester coating
<b>Ambient temperature</b>	-10°C~ + 65°C
<b>Humidity(R.H)</b>	90%

## WIRING



# JFEW-0040

- Suitable for on-off small ball /plug valves and damper automation.
- By combination of spur gears, provide very high efficiency
- The motor is a specially designed induction motor that produces high starting torques and thermally protected from overheating.
- Manual operation by Spanner and dial position indication
- Compact and light weight.
- High duty cycle.



## PERFORMANCE

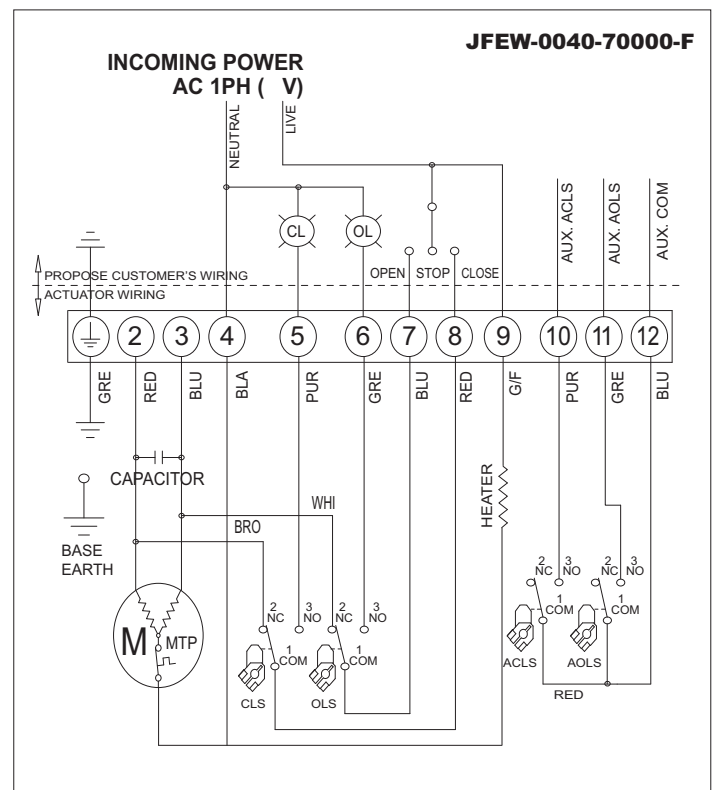
Model	Rate torque (Nm)	Duty cycle (%)	Operating time			Stem Adaption (Double square Female shaft)	Rated current			Motor insulation class	Weight (kgs)	No of handwheel turn		
			50Hz	60Hz	24DC (No Load)		1Phase	3Phase	DC					
			14	12	12		110	220	380				440	24V
JFEW-0040	40	50	14	12	12	14X14mm	0.27	0.18	N/A	N/A	0.8	E	3	7.5

## STANDARD SPECIFICATION

<b>Enclosure</b>	IP66, O-ring Sealed
<b>Main Power</b>	110/220VAC/1Ph/50/60Hz, 24VDC
<b>Duty cycle(on-off)</b>	S2 : 50%, max 30minutes
<b>Motor</b>	Induction motor
<b>Limit switches</b>	2 ea for each travel
<b>Space heater</b>	2W
<b>Manual operation</b>	Extruded shaft on bottom
<b>Indicator</b>	Continous Mechanical position indicator
<b>Mounting</b>	ISO F03/F05/07 flange with double square female shaft
<b>Travel angle</b>	90° ± 10°
<b>Cable entries</b>	2 - PG 13.5
<b>Terminal block</b>	Spring loaded push type
<b>Surface protection</b>	Anodized polyester coating
<b>Ambient temperature</b>	-20°C~+70°C
<b>Humidity(R.H)</b>	90%

## WIRING

JFEW-0040 110/220 ON/OFF





## JFEW-0080

- Newly designed and developed for especially small ball & plug valves and damper automation.
- Self locking combination of spur and worm gears that require no brake
- The motor is a specially designed induction motor that produces high starting torques and thermally protected from overheating
- Mechanical Stopper bolts to prevent from over travel
- Easy set cams without special tool.
- Manual operation by wrench directly to the worm gearbox and dial position indication



## PERFORMANCE

Model	Rate torque (Nm)	Duty cycle (%)	Operating time			Stem Adaption (Double square Female shaft 17X17mm)	Rated current				Motor insulation class	Weight (kgs)	No of handwheel turn	
			50Hz	60Hz	24DC (No Load)		1Phase		3Phase					DC 24V
							110	220	380	440				
JFEW-0080	80	50	16	14	12	0.97	0.52	0.52	0.56	3.8	E	3.5	7	

## STANDARD SPECIFICATION

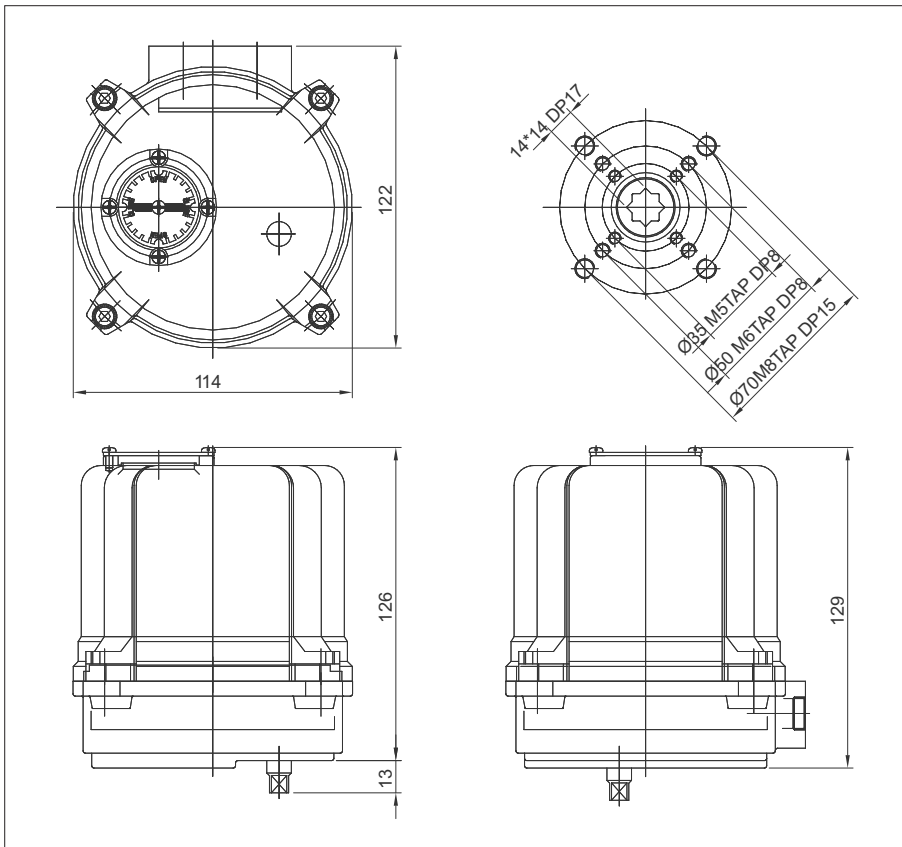
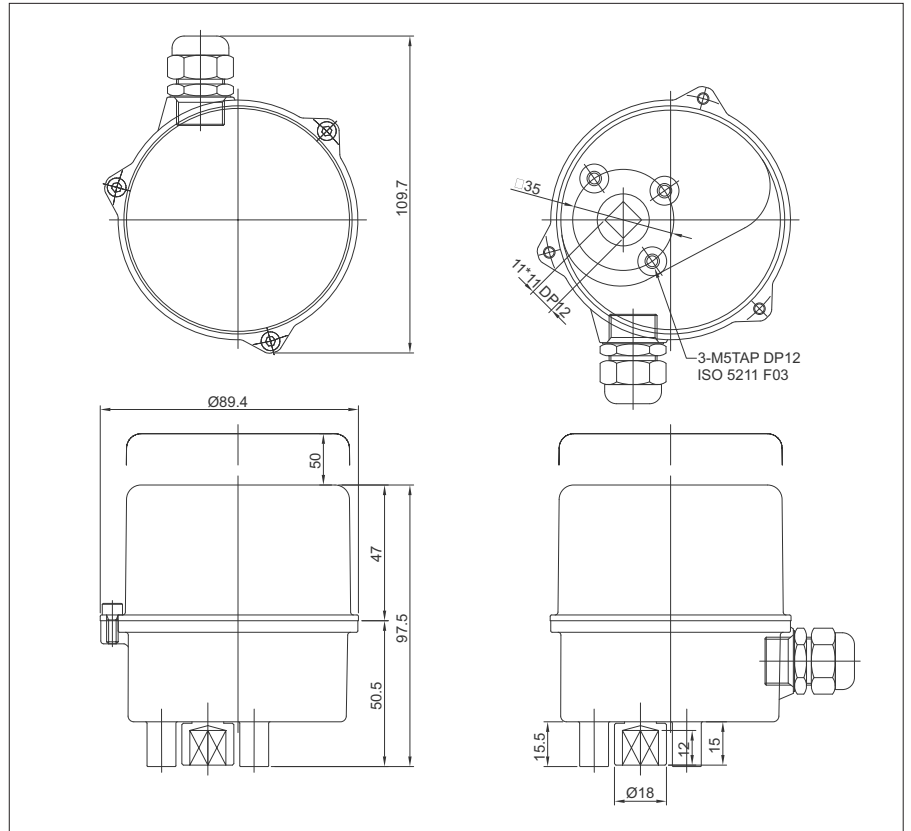
<b>Enclosure</b>	Weatherproof IP67, O-ring sealed
<b>Main Power</b>	110/220VAC/1Ph/50/60Hz, 380/440VAC/3Ph/50/60/Hz, 24VDC
<b>Duty cycle(on-off)</b>	S2 : 40%, Max 30 minutes
<b>Motor</b>	S4, 50%, 1200 start/Hour
<b>Duty cycle(modulating)</b>	Induction motor
<b>Limit switches</b>	2 ea for each travel end (1 each as dry contact)
<b>Space heater</b>	3W
<b>Manual operation</b>	By wrench (M6) directly to the worm gear
<b>Indicator</b>	Continous Mechanical position indicator
<b>Mounting</b>	ISO F05 & F07 flange with double square female shaft
<b>Self locking</b>	By means of worm gearing
<b>Travel angle</b>	90° ± 10° by external adjustable mechanical stopper
<b>Cable entries</b>	2 - M20 X 1.5 (option : 2- PF1/2)
<b>Terminal block</b>	Spring loaded push type
<b>Surface protection</b>	Anodized & polyester coating
<b>Ambient temperature</b>	-20°C~+70°C
<b>Humidity(R.H)</b>	90%

## OPTION AVAILABLE (0080 Only)

CT	-Current transmitter (output signal : 4-20mA)
	-Zero / Span Adjustment
RPC	-Remote position controller (by input and output signal)
	-Input : 4-20mA, 0-10VDC, 2~10VDC, 1~5VDC, 0~5VDC
	-Output : 4-20mA, 0-10VDC, *Option : 0-10VDC, 2~10VDC, 1~5VDC, 0~5VDC
	-Auto-calibration
	-Reverse operating direction

# DIMENSIONAL DRAWING

**JFEW-0020**

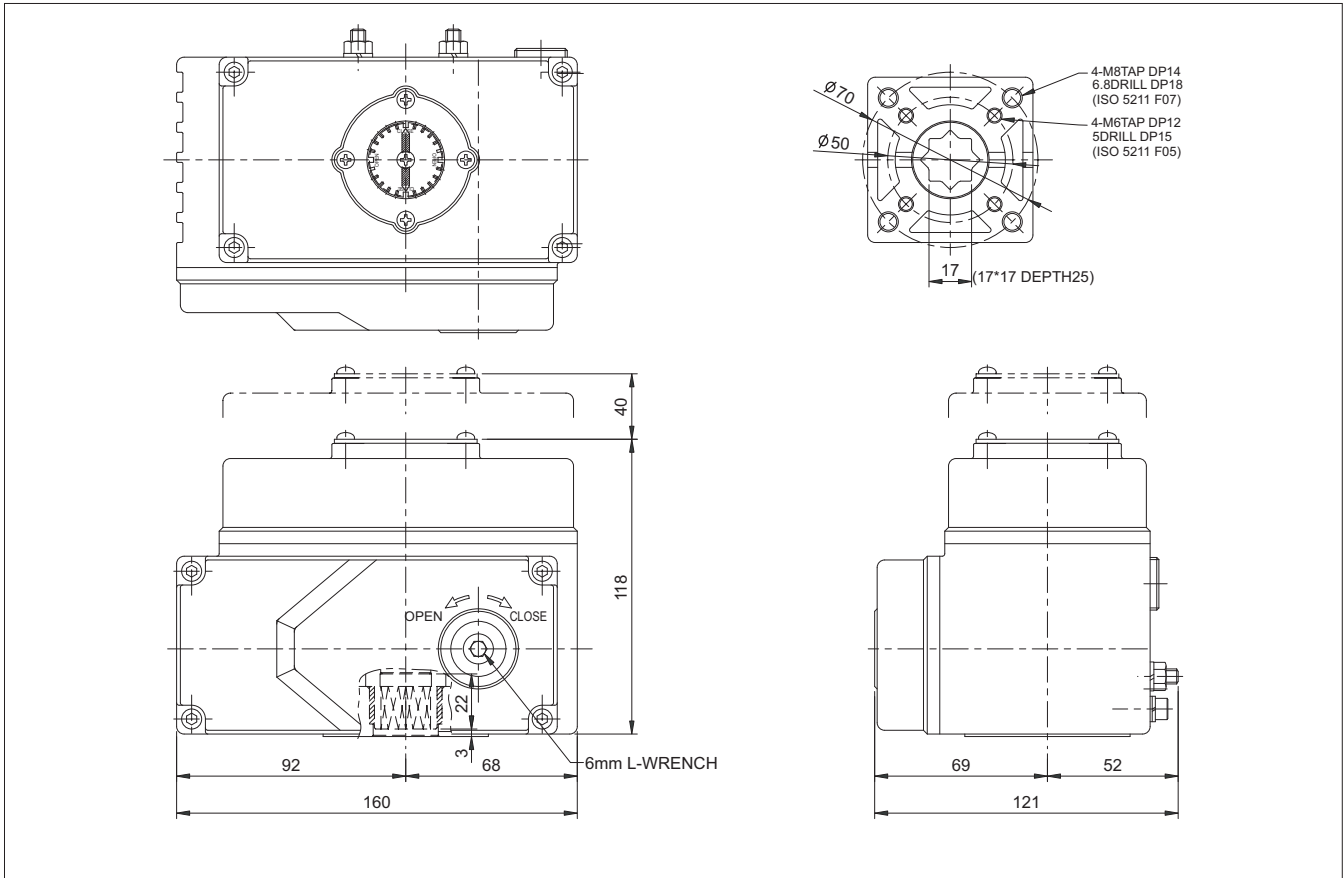


**JFEW-0040**



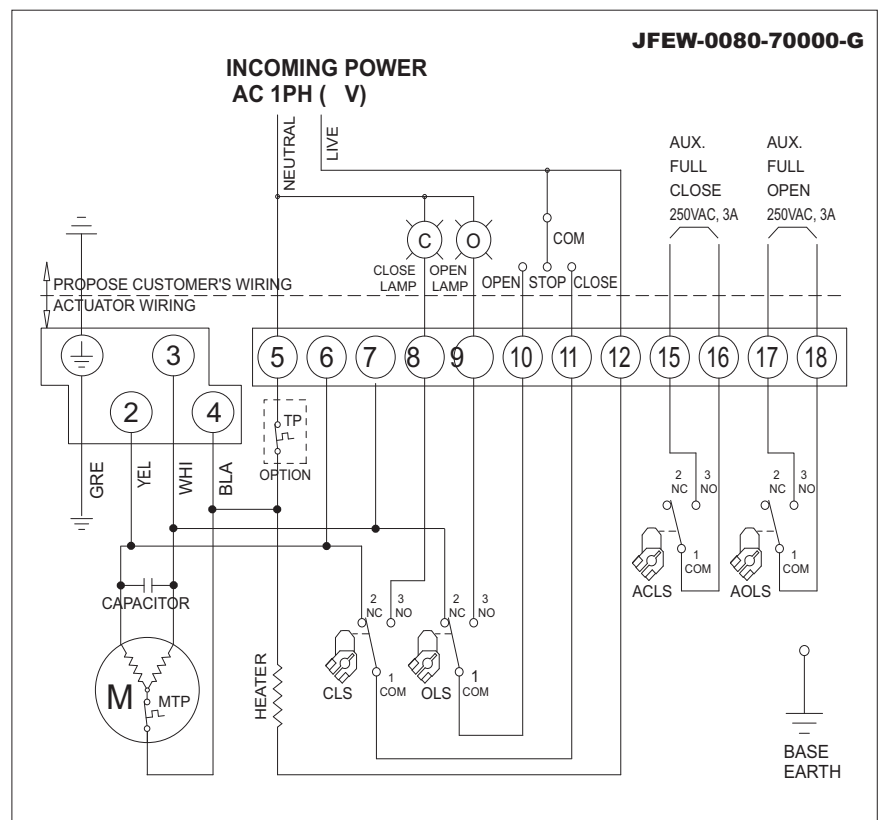
# DIMENSIONAL DRAWING

JFEW-0080



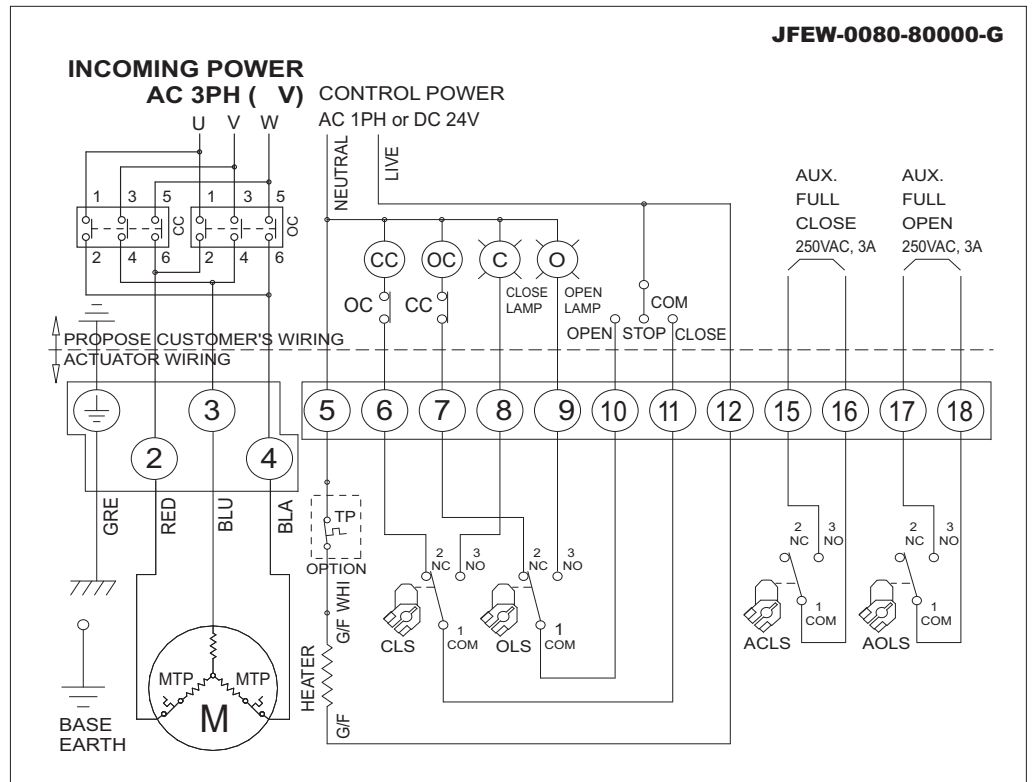
# WIRING

JFEW-0080 110/220 (On-Off)

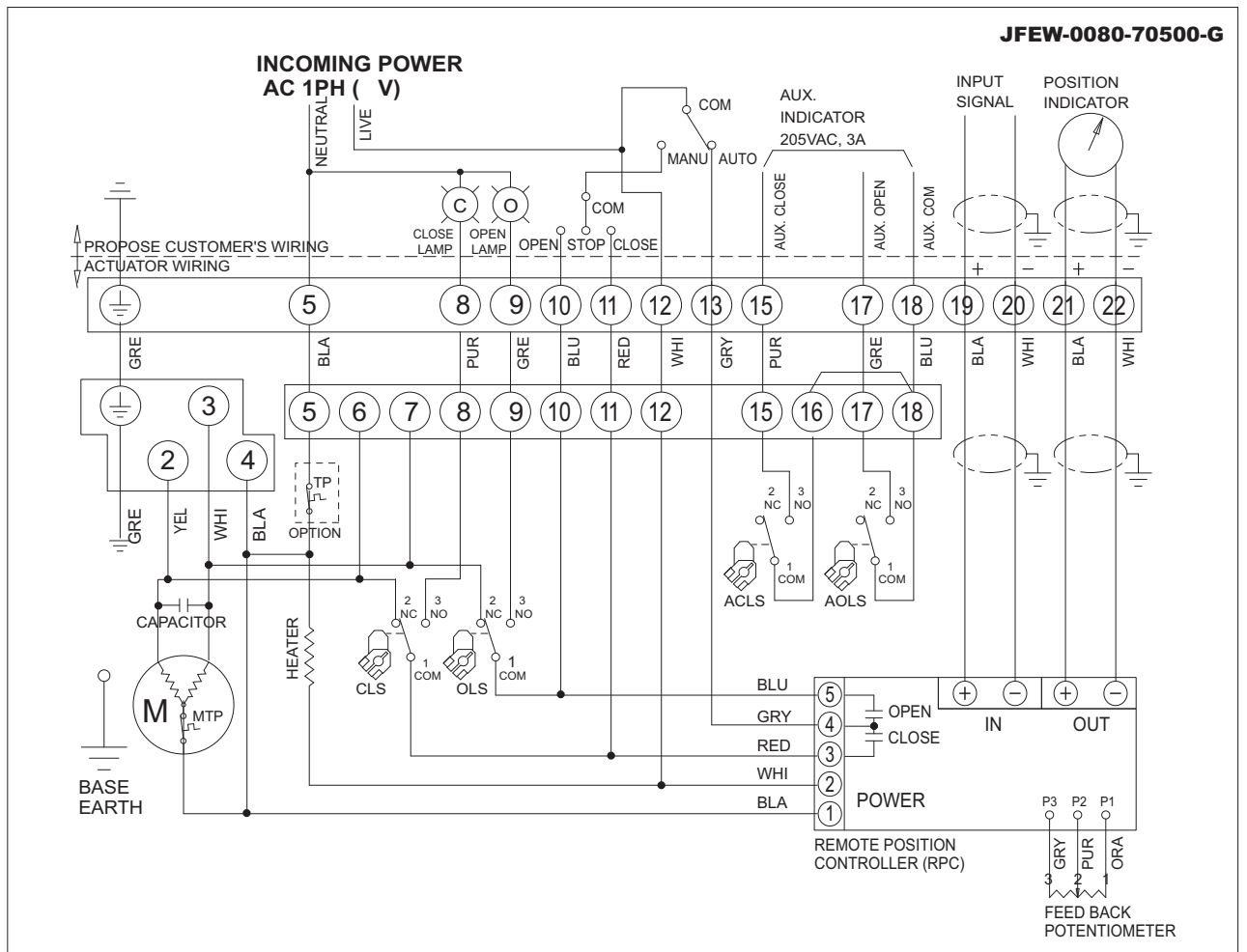


# WIRING

## JFEW-0080 380/440 ON/OFF



## JFEW-0080 110/220 RPC





The details of this catalog are subject to change without prior notification.

---



4665 Interstate Drive \* Cincinnati, Ohio 45246  
PH# 513.731.2900 \* Fax# 513.731.6939  
[www.jflowcontrols.com](http://www.jflowcontrols.com)