



STANDARDS

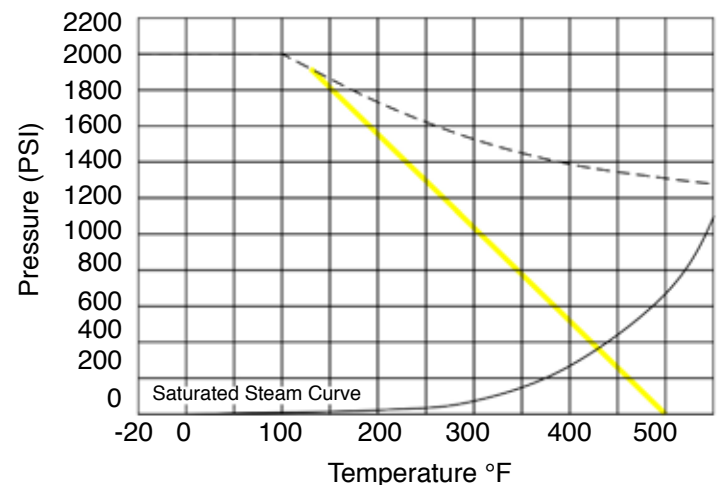
- Valve design: ASME B16.34
- Approved according to European Directive 97/23/EC
- Valve test: MSS SP-72
- CRN # available
- Explosion prevention: ATEX Directive 94/9/EC
- End connections: ASME B16.34

J Flow Controls FSLD3500 Series Two Piece Fire Safe Ball Valves

FEATURES & BENEFITS

- Applications where economical fire-safe ball valves are required
- Special 360° all around welding design to prevent external leakage
- Body and end caps high quality investment cast
- Available in Stainless Steel and Carbon Steel
- Blow-out proof stem design
- Includes fire-safe lip, graphite seals, and anti-static devices
- Temperature range: -20°F to 500°F
- End type: NPT / BSPT
- Pressure rating: 2000 psi (wog) (1/4" - 2");
1000 psi (wog) (2-1/2" - 4")
200 psi with Saturated Steam
- MTR Reports available

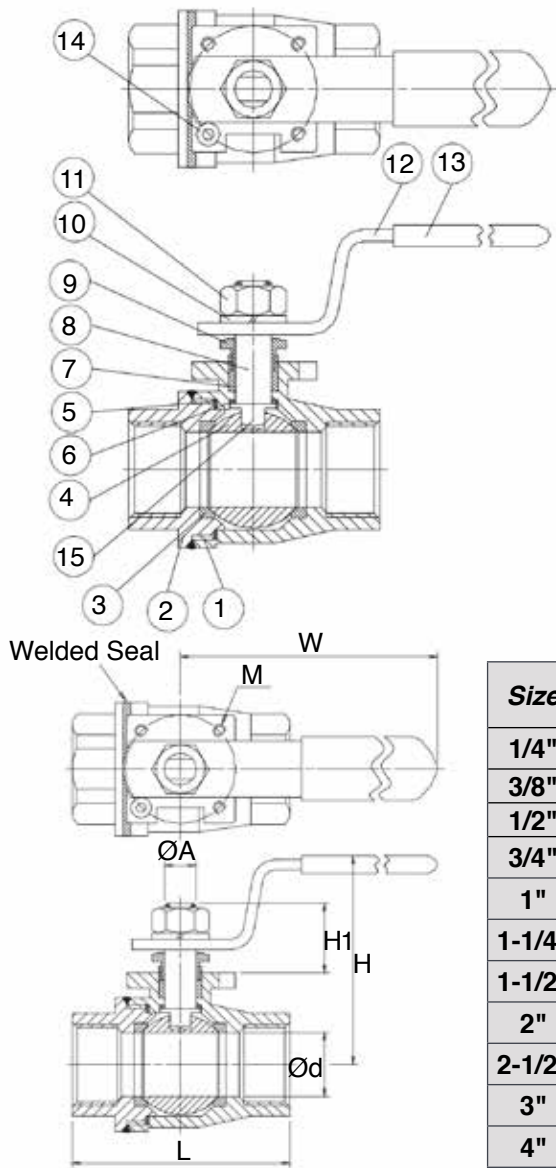
PRESSURE/TEMPERATURE CHART



■ TFM1600

FSLD3500 Series Ball Valves

BILL OF MATERIALS & DIMENSIONS



No	Part Name	Materials
1	Body	CF8M/WCB
2	End Cap	CF8M/WCB
3	Ball Seat	TFM
4	Solid Ball	CF8M
5	Body Seal	Graphite
6	Thrust Washer	Graphite
7	Stem Packing	Graphite
8	Stem	SS316
9	Gland Nut	SS304
10	Spring Washer	SS304
11	Nut	SS304
12	Handle	SS304
13	Handle Sleeve	Vinyl
14	Handle Nut	SS304
15	Anti-Static	SS316/SS304

Size	d	L	W	H	A	H1	M	ISO 5211	TORQUE (IN-LB)
1/4"	0.43	2.32	5.31	2.13	0.31	0.59	M5	F03	30
3/8"	0.49	2.32	5.31	2.13	0.31	0.59	M5	F03	30
1/2"	0.59	2.40	5.31	2.20	0.31	0.67	M5	F03	35
3/4"	0.79	2.87	5.31	2.52	0.39	0.79	M5	F03	39
1"	1.00	3.35	6.50	2.68	0.47	0.98	M5	F04	82
1-1/4"	1.26	3.82	6.50	2.91	0.47	0.98	M5	F04	121
1-1/2"	1.50	4.53	6.89	3.54	0.55	0.98	M6	F05	165
2"	1.97	5.28	6.89	3.94	0.55	0.98	M6	F05	182
2-1/2"	2.56	6.61	10.24	5.39	0.79	1.57	M8	F07	365
3"	3.15	7.52	10.24	5.79	0.79	1.57	M8	F07	1086
4"	3.94	9.09	11.02	6.93	0.98	1.81	M10	F10	1268

HOW TO ORDER

Sizes	Series	Body, Ball & Stem	Port	Body Seals	Packing
1 1/4"	35	23 WCB A216, CF8M Ball & Stem	F Full Port	G Graphite	G Graphite
2 3/8"		33 316S CF8M			
3 1/2"					
4 3/4"					
5 1"					
0 1-1/4"					
6 1-1/2"					
7 2"					
8 2-1/2"					
9 3"					
A 4"					
		Seat	End Connections	Options	
		TM TFM1600	FPT Female NPT FMT Female Metric THD	LD Locking Handle SE Stem Extension VB Vented Ball	