

Hygrometer Customer Questionnaire



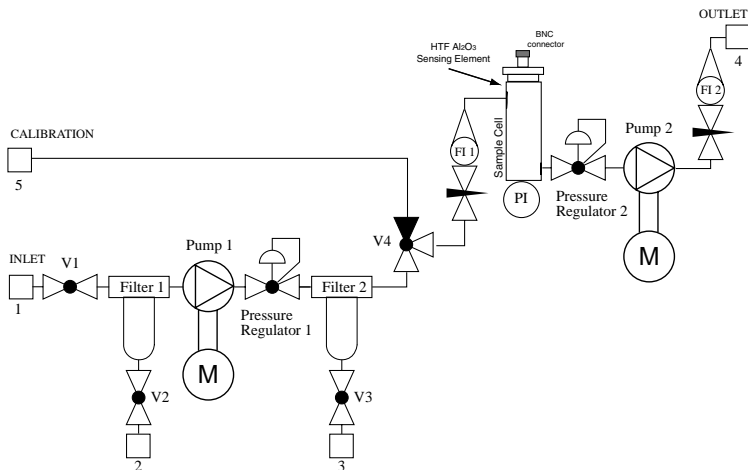
Customer Information	Contact Name:	Company	phone/fax	email
	End user Name: <i>if other than contact</i>	Company	phone/fax	email
	How did you find out about COSA?:			

Application Information	Description of Application:				
	Sample measured: <i>sample phase in process & when measuring (gas, liquid), components and concentrations (if measuring in liquid please provide components of mixture, proportions, and molecular weights)</i>				
	Known contaminants: <i>chlorine, ammonia, HCl, SO₂, NF₃, glycol, oil, liquid water, solvents, particulates, other...</i>				
		<i>min</i>	<i>nominal</i>	<i>max</i>	<i>units</i>
	Water content to be measured				
	Temperature				
	Pressure of process				
	Pressure of measurement point				
	Flow				
	Purpose of measurement: <i>alarm, process control, quality control, trend analysis, custody transfer</i>				
	Required accuracy:		Required response time:		
	Available onsite laboratory or reference standards: <i>chilled mirror, KF titration, certified gas bottle provide details—equipment model numbers, measuring range, accuracy, etc.</i>				
	Number of points to measure:				
	Available Utilities: <i>Power (V/Hz); Instrument Air (pressure?); Cooling Water, Steam...</i>				
	Current situation: <i>methods utilized for measuring, equipment being used (make & model), results being obtained, reasons for considering our equipment – major problems of currently used equipment</i>				
Purpose of inquiry: <i>feasibility, budgetary, competitive bid, immediate purchase,...</i>					
Required delivery date:					
Notes, comments, other important factors to consider:					

Analyzer Requirements	Transmitter Environmental & Mounting: <i>indoor/outdoor, 2" pipe mount, panel mount, surface mount, table top, integral sensor-transmitter, NEMA4X, portable</i>	
	Transmitter Temperature Range:	Sensor Temperature Range:
	Sensor Environmental & Mounting: <i>indoor/outdoor; weatherproofing on sensor connector</i> <i>3/4"-16 & 14mm x 1.25 standard threads;</i> <i>also available but we do not supply sample cells for: 5/8"-18; G-1/2"; 1/2"-NPT;</i>	
	Distance between Sensor and Transmitter: <i>6 feet standard sensor cable</i>	
	Sample System: <i>By COSA fill out Sample system Questionnaire; By Customer attach piping diagram</i>	
	Area Classification: <i>Safe / CII Div 1 / CII Div2</i>	for Sensor: _____ for Transmitter: _____
	Power Requirements & Connection: <i>4wire[100 to 250VAC 50/60Hz; 24VDC; 12VDC] 2wire [Loop Powered]; battery powered >> Conduit/Cable/Wall-plug</i>	
	Display requirements: <i>local, remote, none</i>	
	Alarm Relays: <i>How many relays?</i>	<i>Purpose of each? Contact current?</i>
	Signal Output: <i>Analog: 4/20mA, 0-24mA, 0-1 or 2,5,10V >> RS-232</i> <i>Specify range of analog output: (4mA=-X°C 20mA=Y°C)</i>	
	Intended Interface: <i>current monitor display, DCS, relay contacts reporting alarms etc.(be specific)</i>	
	Special Requirements: <i>AudibleAlarm-NFPA breathing air, Self-Calibrating/Validating, Self-Wakeup, data logging etc...</i>	
	Approvals: <i>UL, FM, CSA, CENELEC</i>	
Certificate Requirements: <i>NIST certificate min 8 points, any special dewpoint range? Re-certification period?</i>		

Notes	
-------	--

Also fill out Application Specific and ESS questionnaires



Extractive Sample System Diagram depicting a *maximized* component configuration. A configuration like this would never be implemented; the diagram is meant to allow one to check components that are necessary, in order to best describe the desired sample system.