

Models DR4200, DR4300, and DR4500 Recorders Replacement Instruction

Chart Hub Kit (30756150-001)

Document Number Form: 44-45-33-60C
Effective: 6/07
Supersedes: 7/00

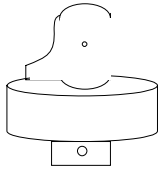
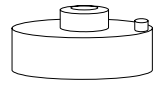
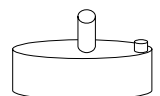
Kit Contents This Chart Hub Replacement Kit contains the following parts:

Description	Quantity
• Allen wrench 1, 5 mm	1
• Chart hub ass'y, tamper resist.	1
• Chart hub ass'y, large diam.	1
• Compression spring	1
• Chart hub ass'y, small diam.	1

Summary Enclosed is a new chart hub kit with parts required to replace the chart hub in a DR4200, DR4300, or DR4500 recorder. Use the following procedures, as appropriate, to replace the existing chart hub assembly.

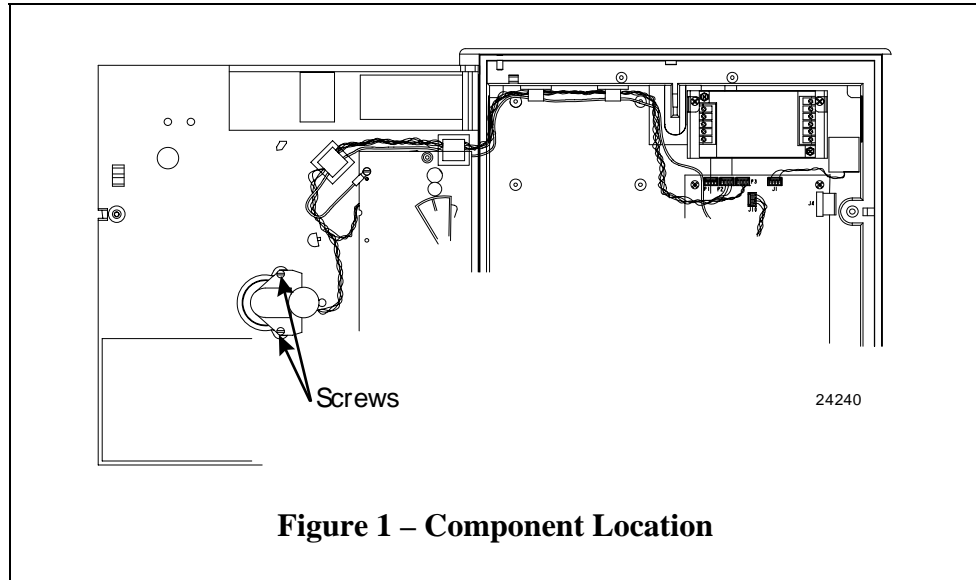
WARNING Never access components inside the case, or remove or install any connectors, with power applied.

Chart hub types

Chart Hub Type	Description	How to intall
	Hub used with ink pens and preprinted charts when approval bodies or process inspectors require tamper proof operation.	Slide hub down to bottom of motor shaft and tighten set screw.
	Standard hub used on all DR4500/DR4300/DR4200 recorders.	Push hub onto motor shaft.
	Hub used with ink pens and preprinted charts that have a small center hole.	Push hub onto motor shaft.

**Component Location
for DR4200/DR4300**

Refer to Figure 1 for the component locations and Table 1 for the installation procedure.



**DR4200/DR4300
Procedure**

Follow the procedure in Table 1 to replace the existing chart hub assembly in your recorder.

**Table 1 –
Chart Hub Assembly Replacement for DR4200/DR4300 Recorders**

Step	Action
1	Open the chart door and swing the chart plate out.
2	Remove chart hub (front of chart plate) and chart motor (rear of chart plate) by removing screws. Save screws. Pull hub off the motor.
3	Select the chart hub from the kit that matches the one you removed.
4	Attach hub to motor. Refer to chart hub types on page 1.
5	Hold motor in place and adjust chart hub flush with platen and centered in platen opening.
6	Re-install motor with screws. Ensure that chart hub rotates freely and does not bind.

Component Location for DR4500

Refer to Figure 2 for the component locations and Table 2 for the installation procedure.

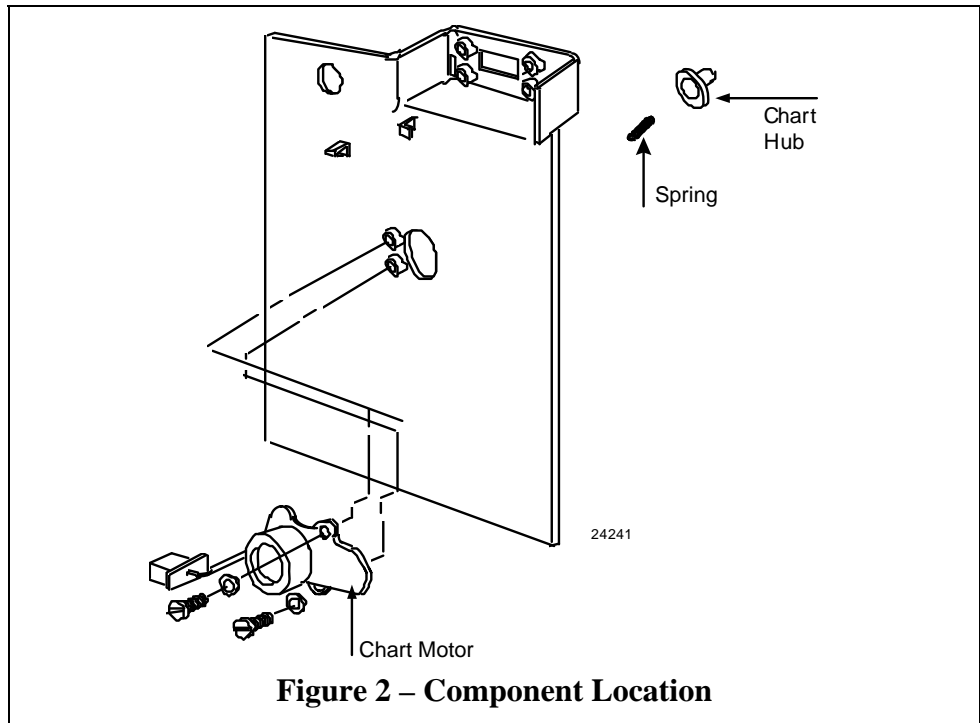


Figure 2 – Component Location

DR4500 Procedure

Follow the procedure in Table 2 to replace the existing chart hub in your recorder.

Table 2 – Chart Hub Assembly Replacement for DR4500 Recorder

Step	Action
1	Open the chart door and swing the chart plate out.
2	Remove chart hub and motor assembly by removing screws. Save screws. Pull hub off the motor.
3	Select the appropriate chart hub from the kit.
4	<p><i>For Classic models (DR45A1, DR45A2):</i> Assemble chart hub to chart motor—no spring is used. See Chart hub types on page 1.</p> <p><i>For Truline models (DR45AT, DR45AR, DR45AW, DR45AH, DR45AP, DR45AS):</i> Slip new spring over chart motor shaft before pushing on the chart hub assembly. See Chart hub types on page 1.</p>
5	Hold motor in place and adjust chart hub flush with platen and centered in platen opening.
6	Re-install motor with screws. Ensure that chart hub rotates freely and does not bind.

Warranty/Remedy

Honeywell warrants goods of its manufacture as being free of defective materials and faulty workmanship. Contact your local sales office for warranty information. If warranted goods are returned to Honeywell during the period of coverage, Honeywell will repair or replace without charge those items it finds defective. The foregoing is Buyer's sole remedy and is **in lieu of all other warranties, expressed or implied, including those of merchantability and fitness for a particular purpose**. Specifications may change without notice. The information we supply is believed to be accurate and reliable as of this printing. However, we assume no responsibility for its use.

While we provide application assistance personally, through our literature and the Honeywell web site, it is up to the customer to determine the suitability of the product in the application.

Honeywell

Honeywell Field Solutions
Honeywell
512 Virginia Drive
Fort Washington, PA 19034