

10. Parts List

10.1 Overview

Introduction

This section provides the replacement parts lists for the DR4500A Classic Series Recorder. Most parts are supplied on an optimum replacement unit basis; that is, part numbers are given for complete printed circuit boards rather than for individual PCB components.

The figures that follow are exploded views of the DR4500A recorder. Each part is labeled with a key number and the key numbers are listed in tables with associated part number.

Also included for your reference are an Internal Cabling drawing (Figure 10-5) and an Internal Wiring Diagram (Figure 10-6) for options only.

When ordering parts, be sure to specify your recorder's serial and model numbers (on nameplate) as well as the part identification.

What's in this section?

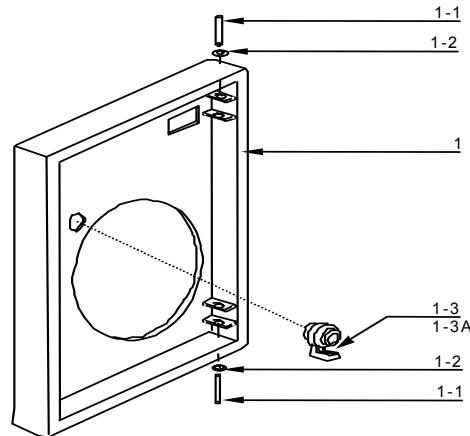
This section contains the following topics:

Topic		See Page
10.1	Overview	221
10.2	Exploded Views	222
	Figure 10-1 Door assembly	222
	Figure 10-2 Chart plate assembly	223
	Figure 10-3 Basic recorder components without options	225
	Figure 10-4 Recorder components associated with options	227
10.3	Miscellaneous Hardware Kit Contents	229
10.4	Figure 10-5 Internal Cabling Data	230
10.5	Figure 10-6 Internal Wiring Diagram – Options Only	231

10.2 Exploded Views

Door assembly

Figure 10-1 is an exploded view of the Door Assembly. Table 10-1 is a list of the associated part numbers.



21452C

Figure 10-1 Door assembly

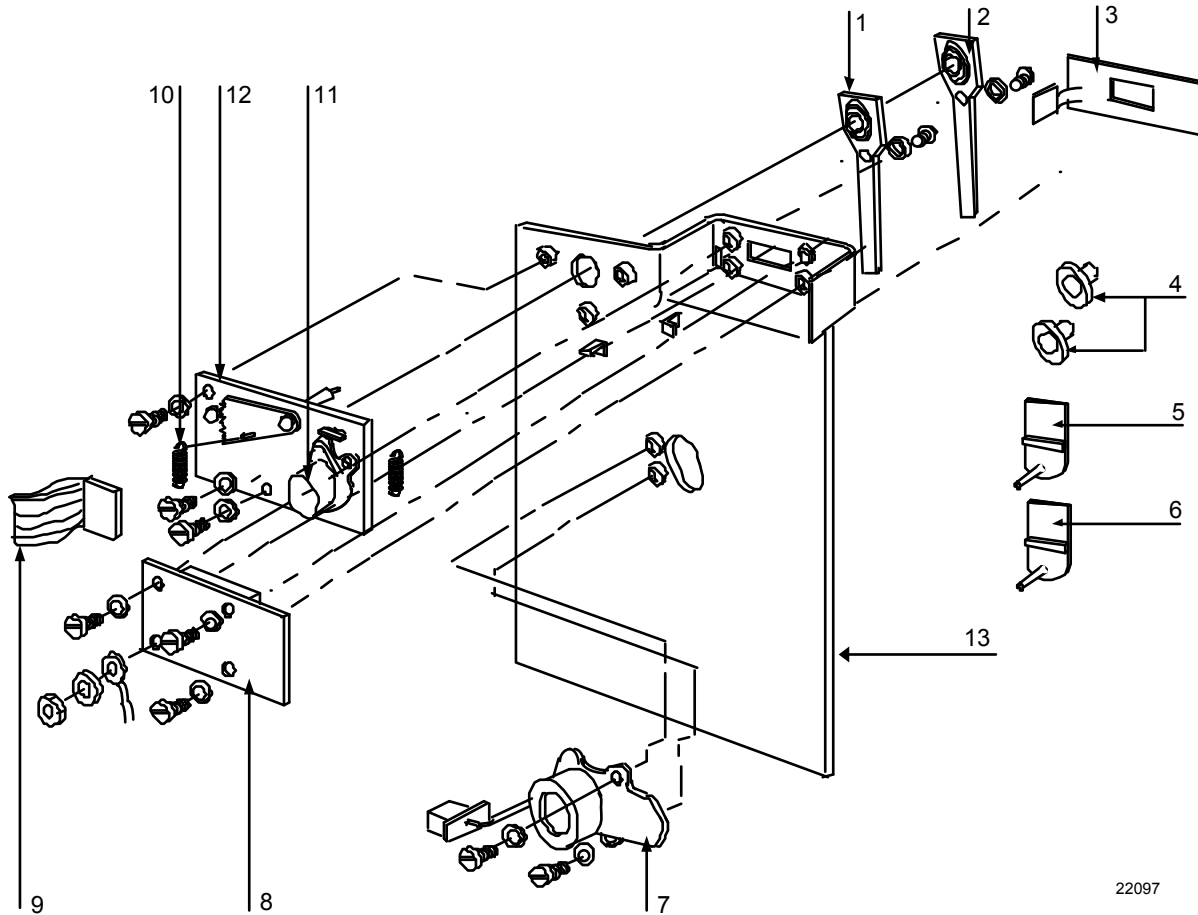
Table 10-1 Door assembly parts

Key	Part Number	Description	Recommended Spare Parts per		Quantity per Unit
			10	100	
1 (Note 3)	Door Assembly				1
	30754955-501	Blue with glass window and latch			
	30754955-504	Blue with acrylic window and latch			
	30754955-505	Gray with glass window and latch			
	30754955-506	Gray with acrylic window and latch			
	30754955-507	Black with glass window and latch			
	30754955-508	Black with acrylic window and latch			
	51452435-501	NEMA4X Door with Acrylic window			
	51452435-502	NEMA4X Door with Glass window			
	30756548-501	Stainless Steel Door with Glass window			
30756548-501	Stainless Steel Door with Acrylic window				
1-1	(K)30755980-001	Hinge Pin (Note 1)			2
1-2	(K)30755980-001	Retaining Ring (Note 1)			2
1-3 1-3A	51309609-503	Latch/Lock Assembly Kit	1	3	1
	30755980-006	Key kit for keyed latch or lock			
	51452208-503	NEMA4X Latch Kit			
	51404929-501	External Keypad Upgrade Kit (not shown)			1

NOTE 1: For Door 30754955-50X, (K) denotes that these parts are included in the miscellaneous hardware kit 30755980-001. For all other doors, the parts are included with applicable door assembly.

Chart plate

Figure 10-2 is an exploded view of the Chart Plate Assembly.
Table 10-2 is a list of the associated part numbers.



22097

Figure 10-2 Chart plate assembly

Table 10-2 Chart plate assembly parts

Key	Part Number	Description	Recommended Spare Parts per		Quantity per Unit
			10	100	
1	(K)30755980-002	No. 2 pen arm (two pen model only)	1	5	1
2	(K)30755980-002	No. 1 pen arm	1	5	1
3	30754957-501	Membrane switch keypad	1	5	1
4	(K)30756150-001	Chart Hub Kit	1	3	2
5	30735489-007	No. 1 purple pen cartridge (six pack)	2	5	1
6	30735489-002	No. 2 red pen cartridge (six pack)	2	5	1
7	30756113-501	Chart motor (includes Chart Hub Kit)	1	3	1
8	30757571-501	Display PCB (includes key no. 9)	1	5	1
9	See above	Ribbon cable, display (included with key no. 8)	1	3	1
10	(K)30755980-002	Spring, tension			1
11	30756114-501	Servo motor assembly	1	3	1
12	30754975-501 30754975-502	Servo plate assembly (includes key no. 11) – 1 pen model – 2 pen model	1	2	1
13	30754977-501 30754977-502 30754977-511 30754977-512	Chart plate – 1 pen model – 2 pen model – 1 pen model—CE Mark – 2 pen model—CE Mark			1

Basic recorder components without options

Figure 10-3 is an exploded view of the basic recorder components.
Table 10-3 is a list of the associated part numbers.

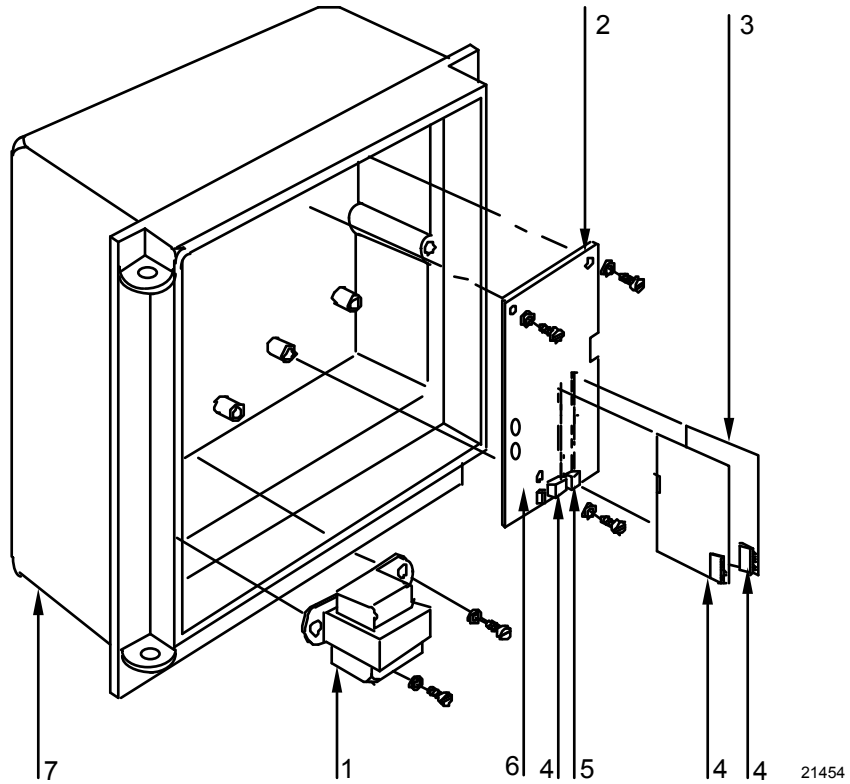


Figure 10-3 Basic recorder components without options

Table 10-3 Basic recorder parts without options

Key	Part Number	Description	Recommended Spare Parts per		Quantity per Unit
			10	100	
1	30754982-502	Main Transformer	1	3	1
2	51309355-501	Main PCB	1	5	1
3	(K)30756141-003	Input PCB (input 1 or 2)			1/3
4	See Note 2	3-position connector**			2
5	See Note 2	2-position connector**			1
6	(K)30755980-005	Fuse (Wilkman 19374-041K 500 ohm or equal)**			1
7	30754924-502 51452182-502	Case Case NEMA 4			1
PARTS NOT SHOWN					
	See Note 2	Card guides for Input PCBs**			2
	51197612-502	Ferrite Filter - Package of 2 (CE Mark)			1
	51197755-001	Capacitor Kit (.01mfd) - 12 per kit (CE Mark)			
	30755232-502	0-10 Vdc Input Divider (input PCBs)			*
	30756461-002	250 ohm Resistor Assembly			*
	(K)30755065-501 (K)30755065-502 (K)30755065-503	Mounting Kit (standard) Mounting Kit (Heavy Duty) Mounting Kit (NEMA4X)			1
	(K)30755134-002	Gray Universal Filler Plate Kit			*
	(K)30755011-001	Filler Panel Kit (for replacing Servoline recorder)			*
	(K)30757205-008	Kit to Upgrade/Add Totalization to Inputs #1 and #2 for Classic Recorder			*
	51197657-502	Panel Mounting Gasket Kit			1

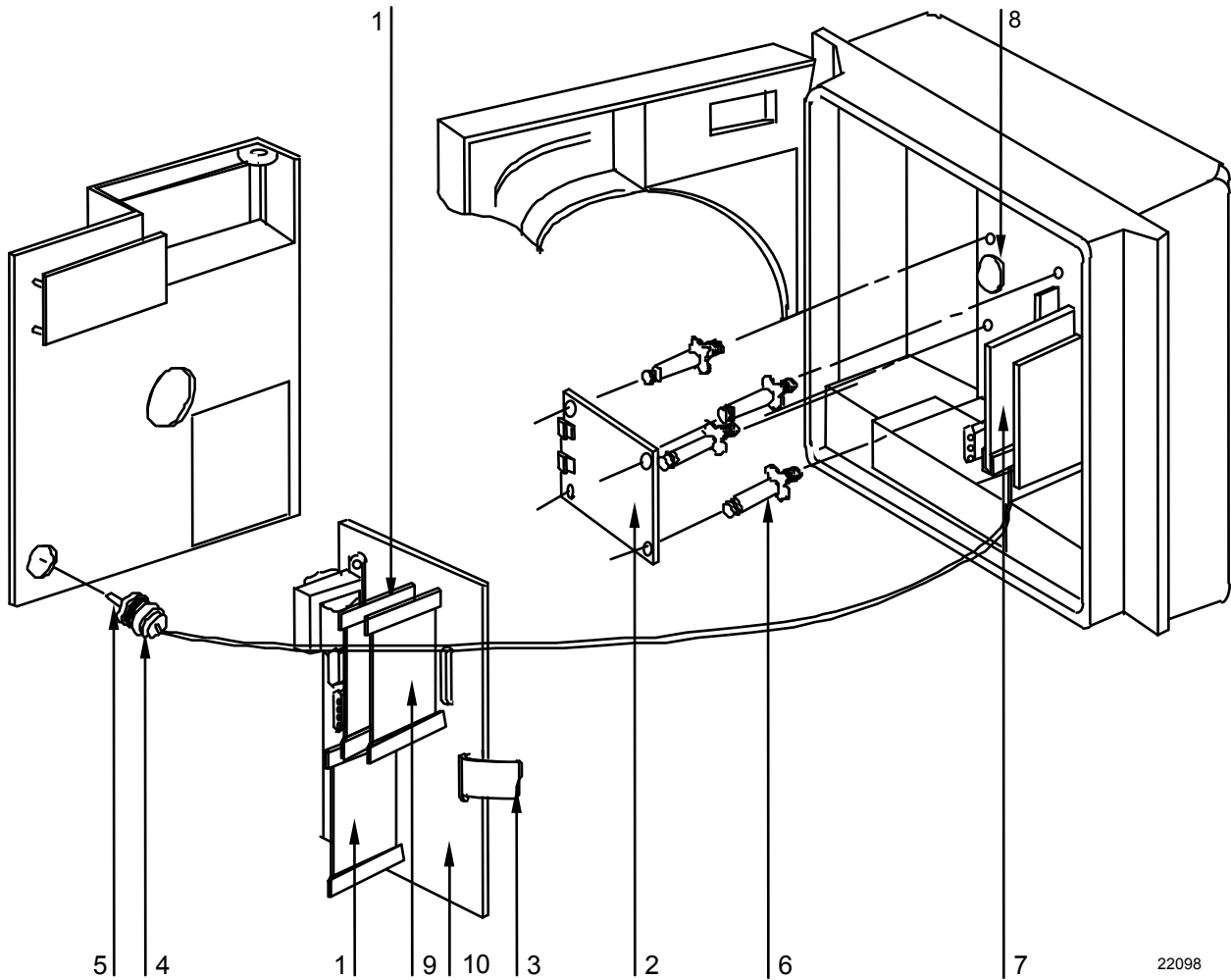
NOTE 2: These parts are included with applicable PCB kits, as required.

* As required

** These parts are also included in the miscellaneous hardware kit 30755980-003

Additional recorder components associated with options

Figure 10-4 is an exploded view of the recorder components associated with options.
Table 10-4 is a list of the associated part numbers.



22098

Figure 10-4 Recorder components associated with options

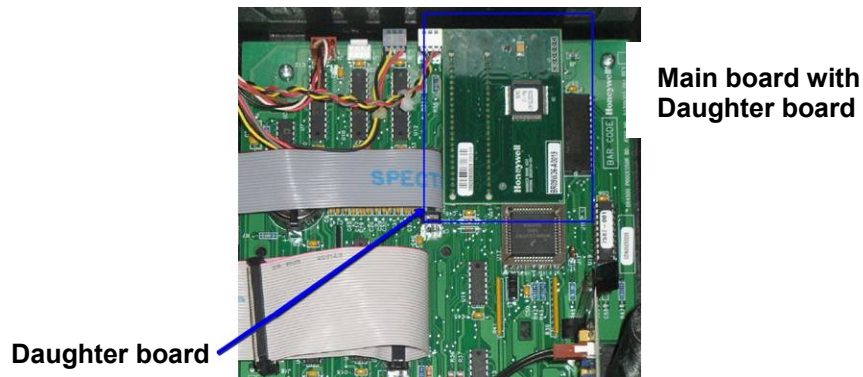
Table 10-4 Recorder parts associated with options

Key	Part Number	Description	Recommended Spare Parts per		Quantity per Unit
			10	100	
1	30754922-501 30754922-502	Control Output #1 or #2 PCB For FM Approved Output PCB	1	5	1
	30755306-501 30755306-601	Control Output Relay – 1 relay Control Output Relay – 5 relays			
2	(K)30756140-001	Alarm output/digital input PCB kit			1
3	30755119-501	Ribbon cable (34-conductor) See Note 3	1	3	1
4	30755127-502	Light accessory kit			1
5	(K)30749598-501	Kit of 5 Bulbs (General Instruments 1828 or equivalent)			1
6	30732192-502	Spacer	1		4
7	(K)30756141-003	Input PCBs (optional second input)		5	1/2
8	(K)30755980-004	Battery (Duracell DL2450 or equivalent)	1	3	1
9 (See Note 4)	51404561-502	Original Main board (w/o Daughterboard) RS485 Comms only	1	5	1
	51404561-503	RS485 Comms + 4/ 20 mA Aux Output			
	51404561-504	Current Main board (with Daughterboard) RS485 Comms only			
	51404561-505	RS485 Comms + 4/ 20 mA Aux Output			
10	30754919-501	Mother board	1	3	0/1
PARTS NOT SHOWN					
	(K)30757301-001	Configuration Lockout Hardware			1

NOTE 3: Part included with alarm output/digital input PCB kit 30756140-001.

*Includes connectors and standoffs as required.

Note 4: Processor Board change occurred approximately September 2009. See Diagram below for daughter board.



10.3 Miscellaneous Hardware Kit Contents

Kit contents

Table 10-5 lists the kit contents of miscellaneous hardware kit — part number 30755980-TAB.

Table 10-5 Miscellaneous hardware kit

Part Description	Quantity					
	Tab 001	Tab 002	Tab 003	Tab 004	Tab 005	Tab 006
Pen lifter/retainer		1				
Screw 10-32, 3/4" lg.		5				
O-ring		5				
Spring, tension		2				
Hinge pin	2					
Retaining ring	2					
Pen arm #1 (classic)		1				
Pen arm #2 (classic)		1				
Latch without lock	1					
Latch pin	1					
Latch gasket	1					
Card guide			2			
4-position connector			2			
3-position connector			2			
3-position connector—CE Mark			2			
2-position connector			2			
Fuse 0.5 A, 250 V					20	
Batteries 3.0 V Lithium Button Cell				5		
Key for latch or lock						1
Key for Heavy Duty Door/Keyed latch						1

Noise Suppression Kit 120VAC	51404594-501
Noise Suppression Kit 220VAC	51404594-502

10.4 Internal Cabling Data – Without Options

View of internal cabling

Figure 10-5 is a view of the internal cabling for the DR4500A Classic Series Recorder.

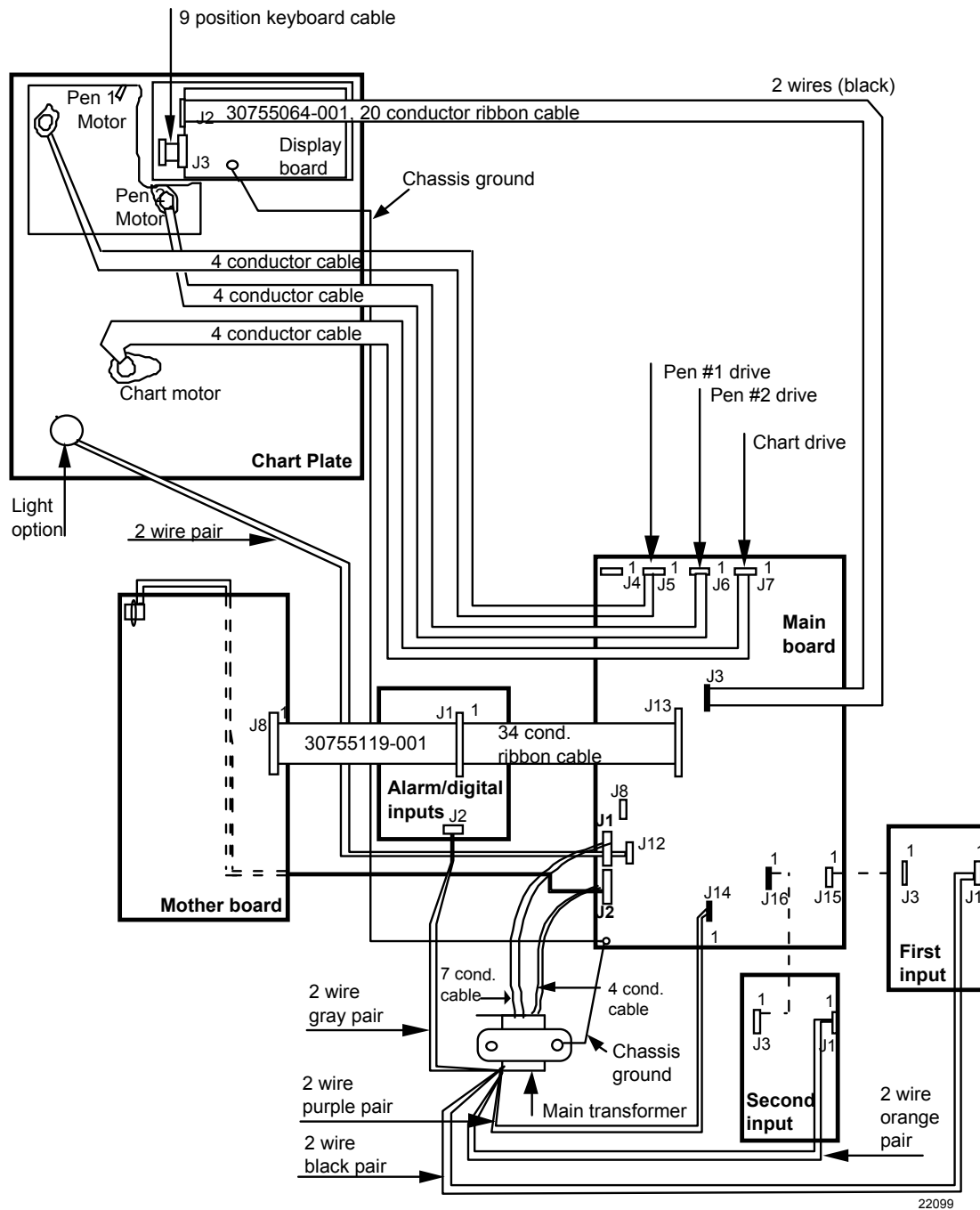


Figure 10-5 Internal cabling for DR4500A Classic recorder

10.5 Internal Wiring Diagram – Options Only

View of internal option wiring

Figure 10-6 is a view of the internal wiring diagram—options only for the DR4500A Classic Recorder.

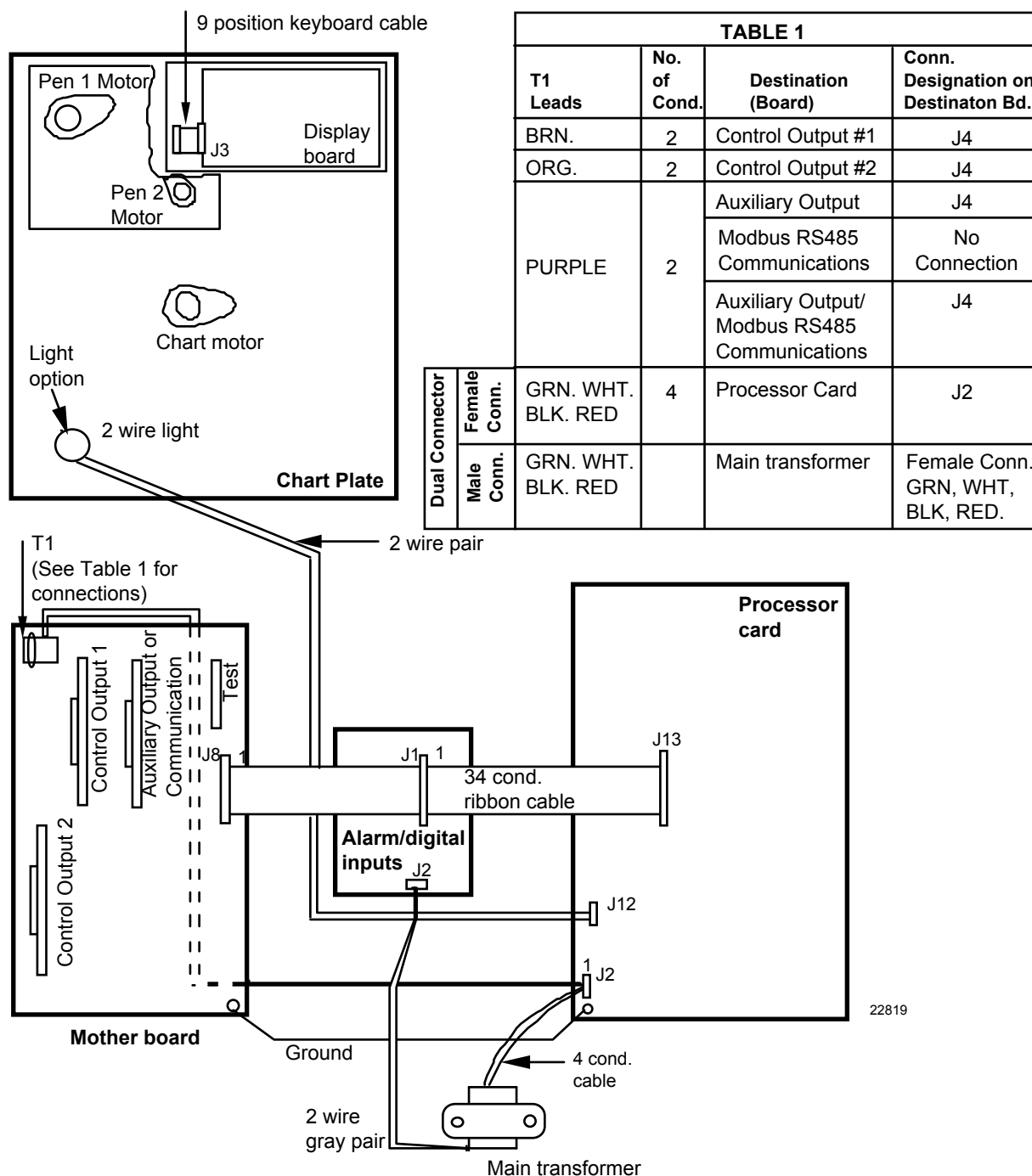


Figure 10-6 Internal diagram for DR4500A Classic recorder – options only

