

## 10. Parts List

### 10.1 Overview

#### Introduction

This section provides the replacement parts lists for the DR4500A Truline Recorder. Most parts are supplied on an optimum replacement unit basis; that is, part numbers are given for complete printed circuit boards rather than for individual PCB components.

The figures that follow are exploded views of the DR4500A recorder. Each part is labeled with a key number and the key numbers are listed in tables with associated part number.

Also included for your reference are an Internal Cabling drawing (Figure 10-5) and an Internal Wiring Diagram (Figure 10-6) for options only.

When ordering parts, be sure to specify your recorder's serial and model numbers (on nameplate) as well as the part identification.

#### What's in this section?

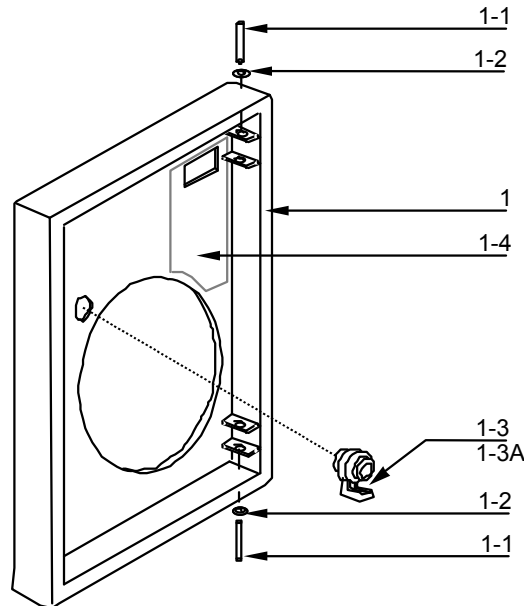
This section contains the following topics:

Topic		See Page
10.1	Overview	242
10.2	Exploded Views	243
	Figure 10-1 Door assembly	243
	Figure 10-2 Chart plate assembly	244
	Figure 10-3 Basic recorder components without options	245
	Figure 10-4 Recorder components associated with options	247
10.3	Miscellaneous Hardware Kit Contents	249
10.4	Figure 10-5 Internal Cabling Data	250
10.5	Figure 10-6 Internal Wiring Diagram – Options Only	251

## 10.2 Exploded Views

### Door assembly

Figure 10-1 is an exploded view of the Door Assembly. Table 10-1 is a list of the associated part numbers.



21452

Figure 10-1 Door assembly

Table 10-1 Door assembly parts

Key	Part Number	Description	Recommended Spare Parts per		Quantity per Unit
			10	100	
<b>1</b> <b>(Note 3)</b>		<b>Door Assembly</b>			1
	30754955-501	Blue with glass window and latch			
	30754955-504	Blue with acrylic window and latch			
	30754955-505	Gray with glass window and latch			
	30754955-506	Gray with acrylic window and latch			
	30754955-507	Black with glass window and latch			
	30754955-508	Black with acrylic window and latch			
	30756548-501	Stainless Steel Door with Glass window			
	30756548-501	Stainless Steel Door with Acrylic window			
	51452435-501	NEMA4X Door with Acrylic window			
	51452435-502	NEMA4X Door with Glass window			
	51452435-503	NEMA4X Door with HTST window			
	51197761-501	SS Heavy duty with acrylic window/heavy duty latch (before 3/99)			
	51197761-502	SS HTST door with heavy duty latch (before 3/99)			
51197761-503	SS Heavy duty door with lock (before 3/99)				
51197761-504	SS Heavy duty HTST door with lock (before 3/99)				
51404781-501	SS Heavy Duty door with acrylic window (after 3/99)				
51404781-502	SS Heavy Duty door for HTST with acrylic window (after 3/99)				
51404781-503	SS Heavy Duty door with glass window (after 3/99)				
<b>1-1</b>	(K)30755980-001	Hinge Pin (Note 1)			2
<b>1-2</b>	(K)30755980-001	Retaining Ring (Note 1)			2

Key	Part Number	Description	Recommended Spare Parts per		Quantity per Unit
			10	100	
<b>1-3</b> <b>1-3A</b>	51309609-503 30755980-006 51452208-503	Latch/Lock Assembly Kit (Note 2) Key kit for keyed latch or lock NEMA4X Latch Kit	1	3	1
<b>1-4</b>	30755136-502	Truline Door Overlay			1
	51404929-501	External Keypad Upgrade Kit (not shown)			1

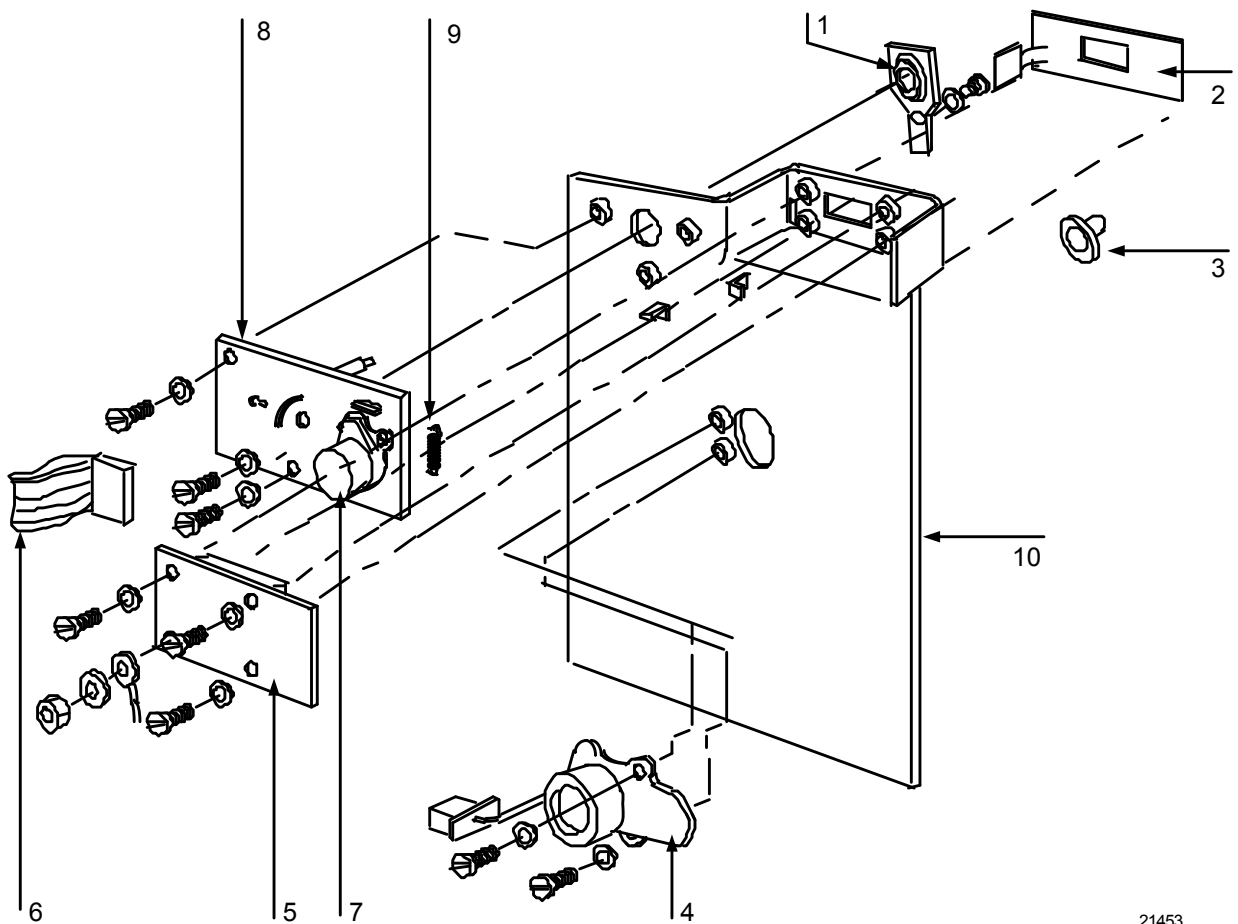
NOTE 1: **For Door 30754955-50X, (K)** denotes that these parts are included in the miscellaneous hardware kit 30755980-001. For all other doors, the parts are included with applicable door assembly.

NOTE 2: **For Heavy Duty doors only (before 3/99):** for knob type latch, order kit 30756584-001; for latch with lock and key, order kit 30756584-002. **For Heavy Duty doors (after 3/99):** for knob type latch and/or latch with lock and key, order 51404673-501.

NOTE 3: For instruments with the **Door Keypad option**, order the correct door assembly and the External Keypad Upgrade kit

### Chart plate

Figure 10-2 is an exploded view of the Chart Plate Assembly.  
Table 10-2 is a list of the associated part numbers.



21453

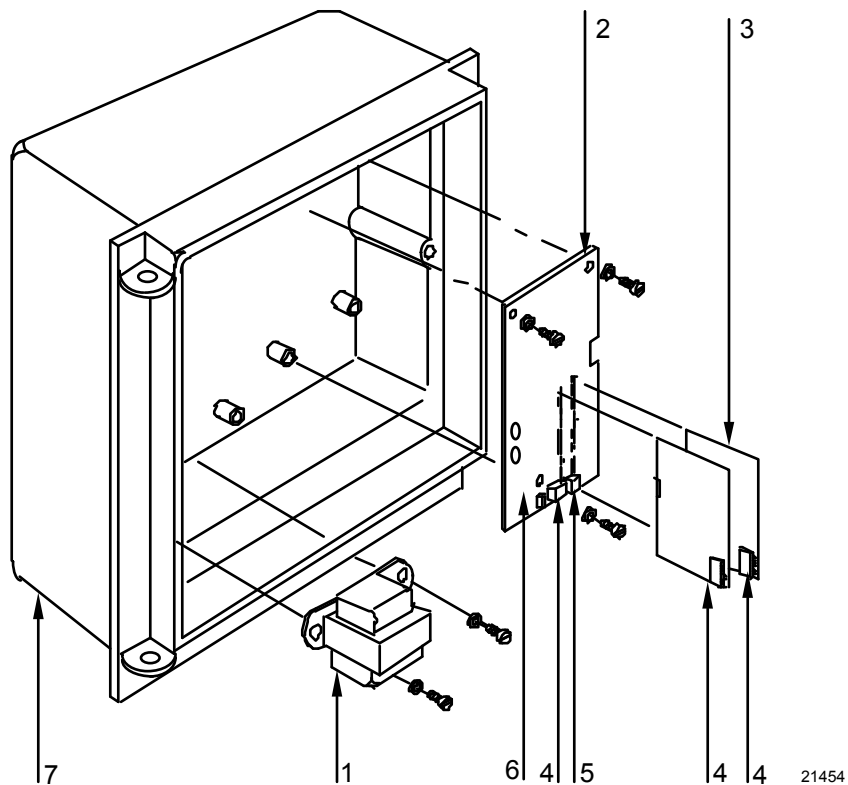
**Figure 10-2 Chart plate assembly**

**Table 10-2 Chart plate assembly parts**

Key	Part Number	Description	Recommended Spare Parts per		Quantity per Unit
			10	100	
1	30756304-501	Truline Pen Arm Assembly (high speed)	1	5	1
	30756304-502	Truline Pen Arm Assembly (abrasion resistant)			
2	30754957-501	Membrane Switch Key Pad	1	5	1
3	(K)30756150-001	Chart Hub Kit	1	3	2
4	30756113-501	Chart Motor (includes Chart Hub Kit)	1	3	1
5	30757571-501	Display PCB (includes key no. 6)	1	5	1
6	See above	Ribbon Cable, Display (included with key no. 5)			
7	30756114-501	Servo Motor Assembly			
8	30754975-503	Servo Plate Assembly (includes key no. 7)	1	2	1
9	(K)30755980-002	Spring, tension			1
10	30754977-503	Chart plate for standard (high speed) pen	1	2	1
	30754977-504	Chart plate for abrasion resistant pen			
	30754977-513	Chart plate for standard (high speed) pen - CE Mark			
	30754977-514	Chart plate for abrasion resistant pen - CE Mark			

**Basic recorder components without options**

Figure 10-3 is an exploded view of the basic recorder components.  
Table 10-3 is a list of the associated part numbers.



**Figure 10-3 Basic recorder components without options**

**Table 10-3 Basic recorder parts without options**

Key	Part Number	Description	Recommended Spare Parts per		Quantity per Unit
			10	100	
1	30754982-502	Main Transformer	1	3	1
2	51309355-502 51309355-503 51309355-504 51309355-505	Main PCB - CE Mark (model DR45AT) Main PCB - CE Mark (model DR45AR) Main PCB - CE Mark (model DR45AW) Main PCB - CE Mark (model DR45AH/AP/AS)	1	5	1
3	(K)30756141-003	Input PCB (input 1, 2, 3, or 4)			1/4
4	See Note 2	3-position connector**			2
5	See Note 2	2-position connector**			1
6	30755980-005	Fuse (Wilkman 19374-041-K 500 ohm or equal)**			1
7	30754924-502 51452182-502	Case Case NEMA 4			1
<b>PARTS NOT SHOWN</b>					
	See Note 2	Card guides for Input PCBs**			2
	51197612-502	Ferrite Filter - Package of 2 (CE Mark)			1
	51197755-001	Capacitor Kit (.01mfd) - 12 per kit (CE Mark)			
	30755232-502	0-10 Vdc Input Divider (input PCBs)			*
	30756461-002	250 ohm Resistor Assembly			*
	30755317-001	Box of 100 12" Truline Chart Paper			
	(K)30755065-501 (K)30755065-502 (K)30755065-503	Mounting Kit (standard) Mounting Kit (Heavy Duty) Mounting Kit (NEMA4X)			1
	(K)30755134-002	Gray Universal Filler Plate Kit			*
	(K)30755011-001	Filler Panel Kit (for replacing Servoline recorder)			*
	(K)30757301-001	Configuration Lockout Hardware			1
	51197657-502	Panel Mounting Gasket Kit			1

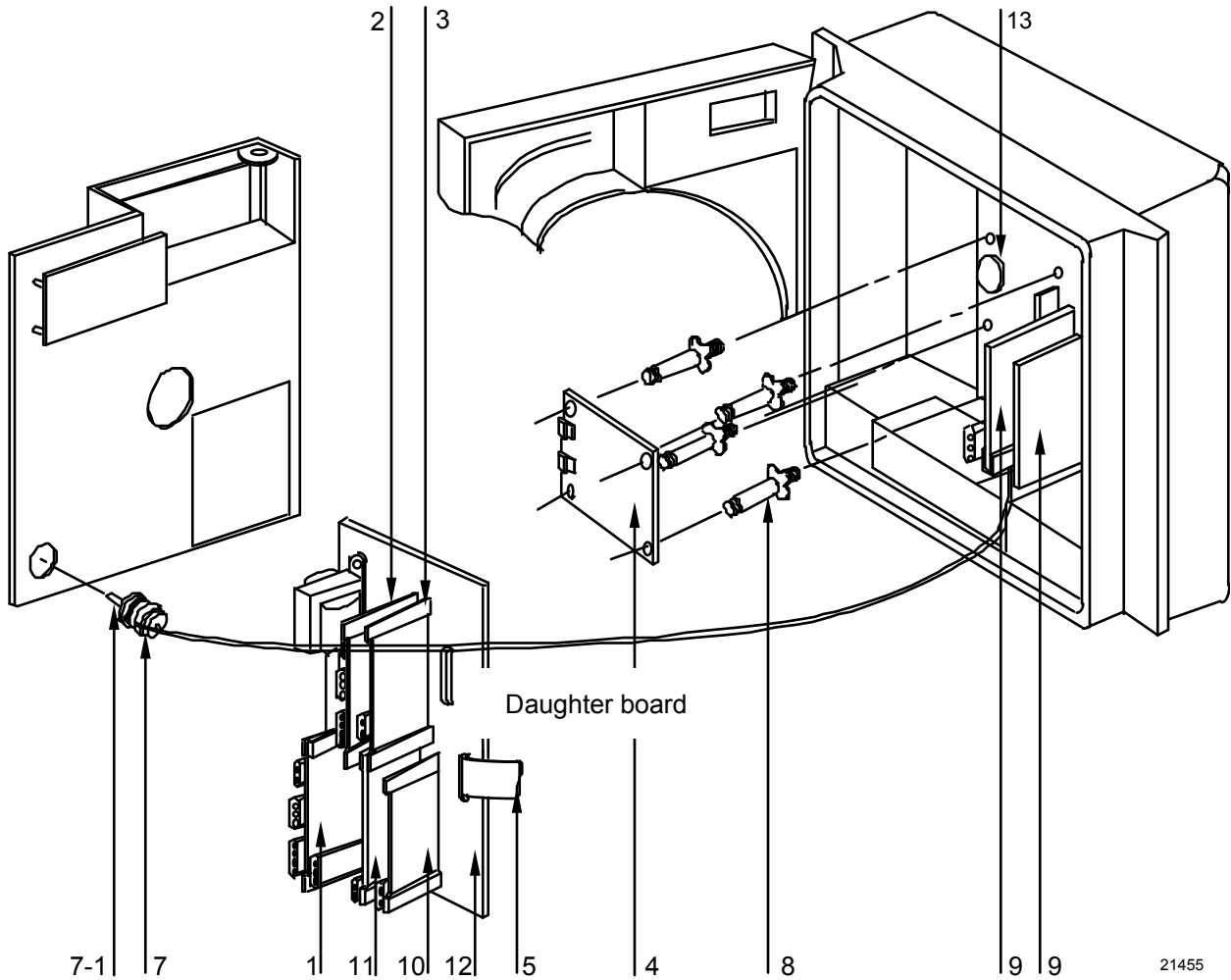
NOTE 2: These parts are included with applicable PCB kits, as required.

\* As required

\*\* These parts are also included in the miscellaneous hardware kit 30755980-006

**Additional recorder components associated with options**

Figure 10-4 is an exploded view of the recorder components associated with options.  
Table 10-4 is a list of the associated part numbers.



**Figure 10-4 Recorder components associated with options**

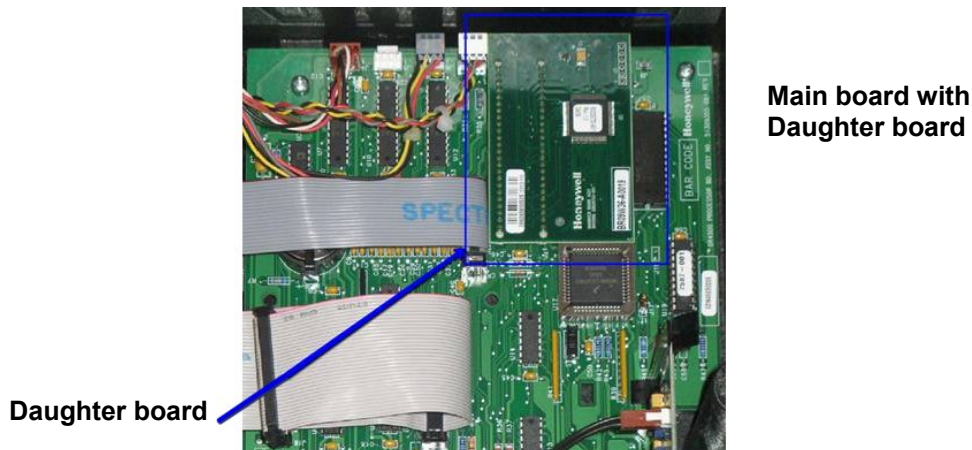
**Table 10-4 Recorder parts associated with options**

Key	Part Number	Description	Recommended Spare Parts per		Quantity per Unit
			10	100	
1	30754922-501 30754922-502	Second Control Output PCB Second Current Output PCB - Current Out Only (Note 4)			1
2	30754922-501 30754922-502	First Control Output PCB First Control Output - PCB - Current Out Only	1	5	1
	30755306-501 30755306-601	Control Output Relay – 1 relay Control Output Relay – 5 relays	1	5	2
3  (See Note 5)	51404561-502 51404561-503  51404561-504 51404561-505	Original Main board (w/o Daughterboard) RS485 Comms only RS485 Comms + 4/ 20 mA Aux Output Current Main board (with Daughterboard) RS485 Comms only RS485 Comms + 4/ 20 mA Aux Output	1	5	1
4	(K)30756140-001	Alarm output/digital input PCB kit			1
5	30755119-501	Ribbon cable (34 conductor), See Note 3	1	3	1
7	30755127-502	Light accessory kit			1
7-1	(K)30749598-501	Kit of 5 Bulbs (General Instruments 1828 or equivalent)			1
8	(K)30756140-001	Spacers			4
9, 10, 11	(K)30756141-003	Input PCBs (1, 2, 3, or 4)	1	5	1/4
12	30754919-501	Mother board	1	3	0/1
13	30755980-004	Battery (Duracell DL2450 or equivalent)	1	1	1

NOTE 3: Part included with alarm output/digital input PCB kit 30756140-001.

NOTE 4: 30754922-502 Control Output board is used for Table II Options 60 or 66.

NOTE 5: Processor Board change occurred approximately September 2009. See Diagram below for daughter board.



## 10.3 Miscellaneous Hardware Kit Contents

### Kit contents

Table 10-5 lists the kit contents of miscellaneous hardware kit — part number 30755980-TAB.

**Table 10-5 Miscellaneous hardware kit**

Part Description	Quantity					
	Tab 001	Tab 002	Tab 003	Tab 004	Tab 005	Tab 006
Pen lifter/retainer		1				
Screw 10-32, 3/4" lg.		5				
O-ring		5				
Spring, tension		2				
Hinge pin	2					
Retaining ring	2					
Pen arm #1 (classic)		1				
Pen arm #2 (classic)		1				
Latch without lock	1					
Latch pin	1					
Latch gasket	1					
Card guide			2			
4-position connector			2			
3-position connector			2			
3-position connector—CE Mark			2			
2-position connector			2			
Fuse 0.5 A, 250 V					20	
Batteries 3.0 V Lithium Button Cell				5		
Key for latch or lock						1
Key for Door/Keyed latch						1

Noise Suppression Kit 120VAC	51404594-501
Noise Suppression Kit 220VAC	51404594-502



## 10.4 Internal Cabling Data

### View of internal cabling

Figure 10-5 is a view of the internal cabling for the DR4500A Truline Recorder.

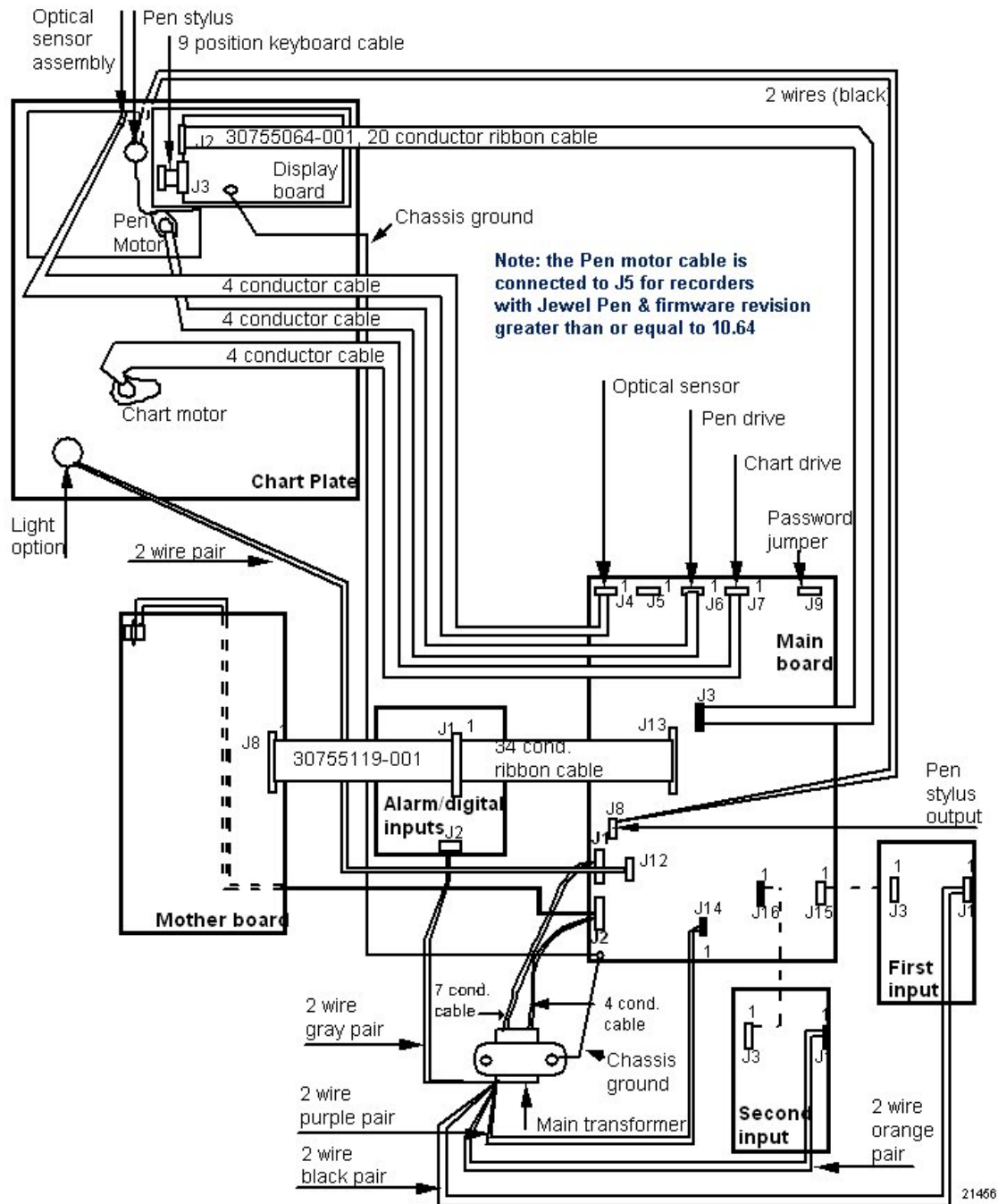


Figure 10-5 Internal cabling for DR4500A Truline recorder

## 10.5 Internal Wiring Diagram – Options Only

### View of internal option wiring

Figure 10-6 is a view of the internal wiring diagram - options only for the DR4500A Truline Recorder.

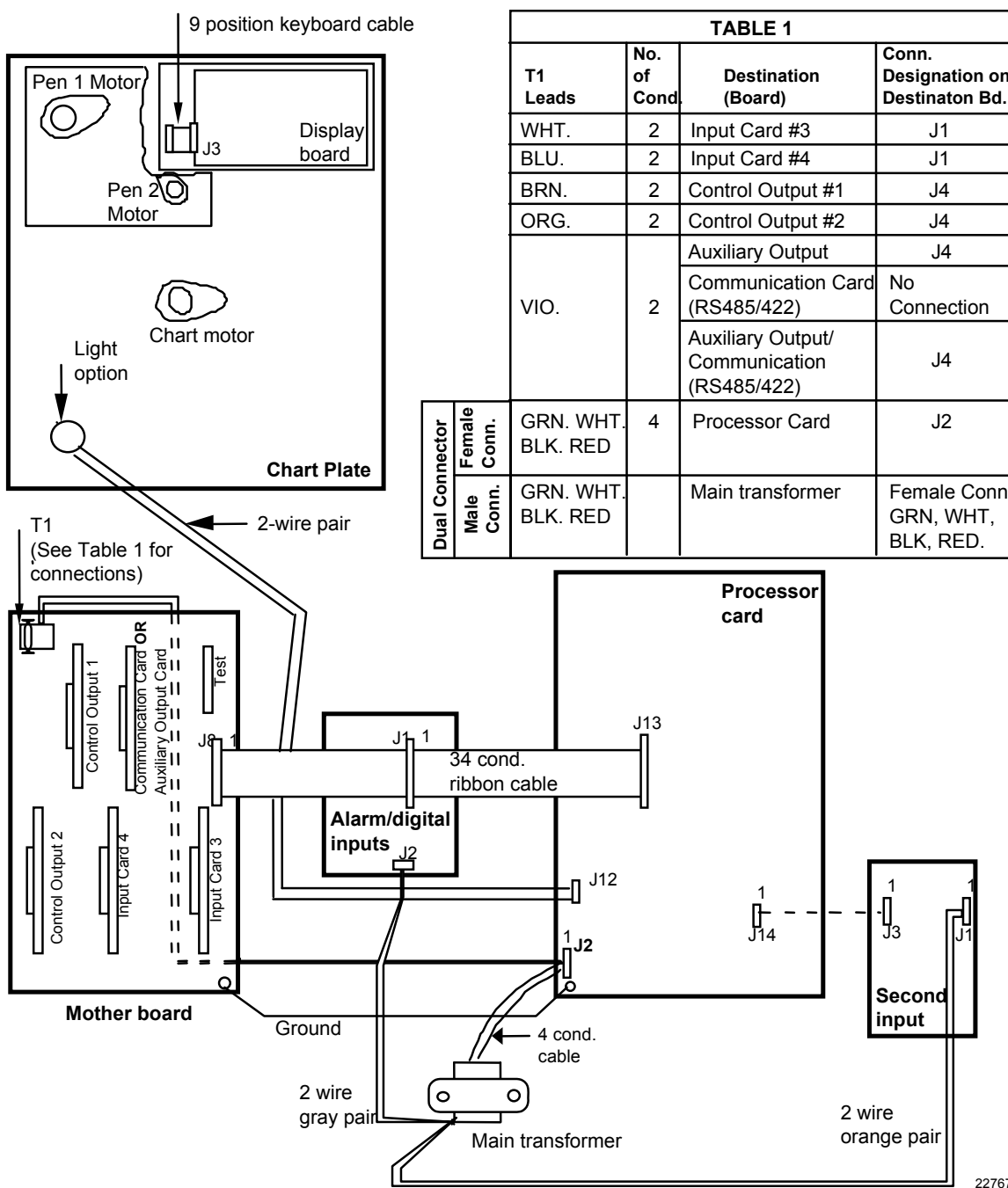


Figure 10-6 Internal diagram for DR4500A Truline recorder – options only