

# Signet Wall Mount Accessory Kit Instruction Sheet



3-9900.095 Rev. A 03/12 English

## 1. Description

The Wall Mount Accessory (159 001 700) is a compact enclosure that works with the Signet 9900 Transmitter as well as other ¼ DIN size instruments including the Signet 8900 Controller, ProcessPro and ProPoint instruments. It is equipped with a ¼ DIN cutout at the front for the instrument (sold separately) and two ½” holes at the base for the conduit and sensor wiring. Mounting hardware and liquid tight connectors are included for a quick and easy installation.

## 2. Specifications

### General

Enclosure type:	NEMA 4X
Material:	Fiberglass reinforced polyester, light gray
Hinges and Latch:	304SS
Mounting Hardware	
Brackets and Screws:	304SS
Inserts:	Brass
Liquid Tight Connectors:	Nylon

### Approvals and Standards

- RoHS Compliant
- UL listed
- UV stabilized for outdoor use



Shown with 9900 Transmitter  
(sold separately)

## 3. Installation Instructions:

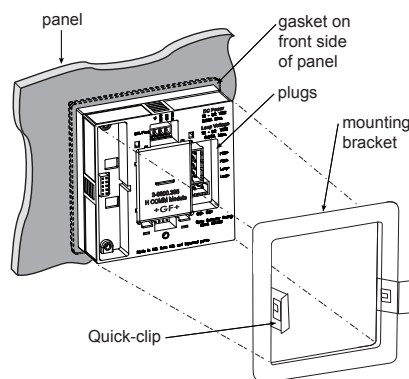
1. Mount the Wall Mount Accessory to your wall location using the Accessory's mounting hardware or brass inserts (not shown).
2. Install liquid tight connectors through the Accessory's conduit holes to suit your application.
3. Place gasket on instrument.
4. Slide instrument from front through cutout on door into Wall Mount Accessory opening.
5. Slide mounting bracket over back of instrument until bracket snaps into latches on sides of instrument.
6. Make electrical connections as described in Signet 9900 Transmitter Operating Instructions manual.
7. Close and securely latch the Accessory.



Conduit holes

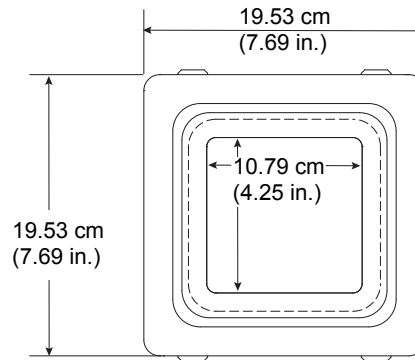


Liquid tight connectors

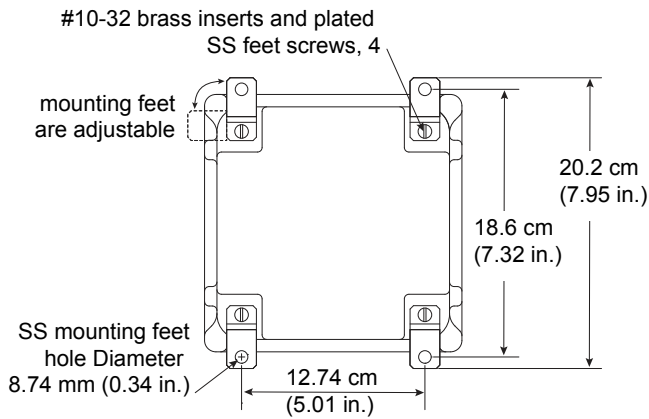


Latch

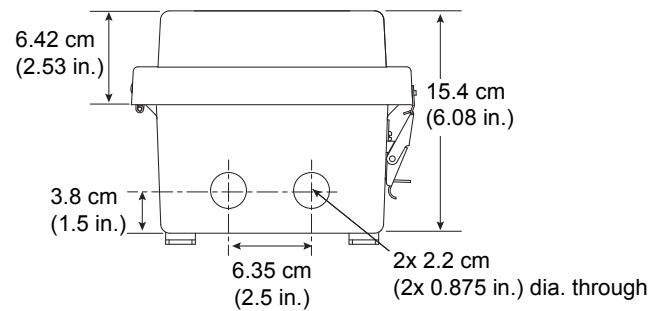
## 4. Dimensions



Front View



Back View



Bottom View

## 5. Ordering Information

Code	Description
159 001 700	3-9900.392 Wall Mount Accessory



Georg Fischer Signet LLC, 3401 Aerojet Avenue, El Monte, CA 91731-2882 U.S.A. • Tel. (626) 571-2770 • Fax (626) 573-2057  
 For Worldwide Sales and Service, visit our website: [www.gfsignet.com](http://www.gfsignet.com) • Or call (in the U.S.): (800) 854-4090  
 For the most up-to-date information, please refer to our website at [www.gfsignet.com](http://www.gfsignet.com)