

# 2284 Ultrasonic Gap Switch



The Ultrasonic Gap Switch consists of Polyphenylene Sulphide (PPS) and is high corrosion resistant in most liquids. The gap switch is designed for high or low level alarm in different tank applications as well as pump control. However, if there is a liquid present, the signal will be transmitted across the gap and the integral electronics will switch the output circuitry to signal the presence of a liquid.

It can be mounted in any position in a tank using a 3/4" or 1" thread available in BSP and NPT thread forms.

## Features

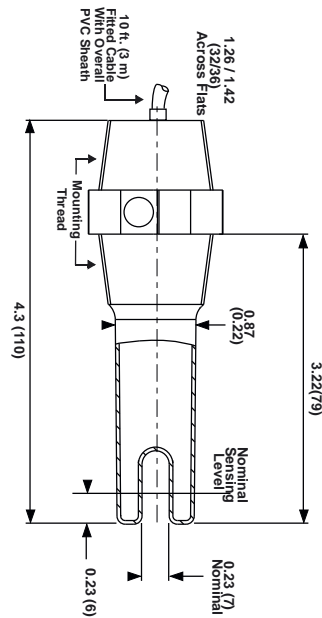
- Relay output
- Corrosion resistant PPS body
- 1" and 3/4" threaded mounting
- Small in-tank dimensions
- Compact sensor for narrow spaces
- Self contained full plastic body
- No moving parts

CE RoHS

## Applications

- Cooling Water
- Demineralized Water
- Water/Glycol Solutions
- Chemicals
- Pump Control

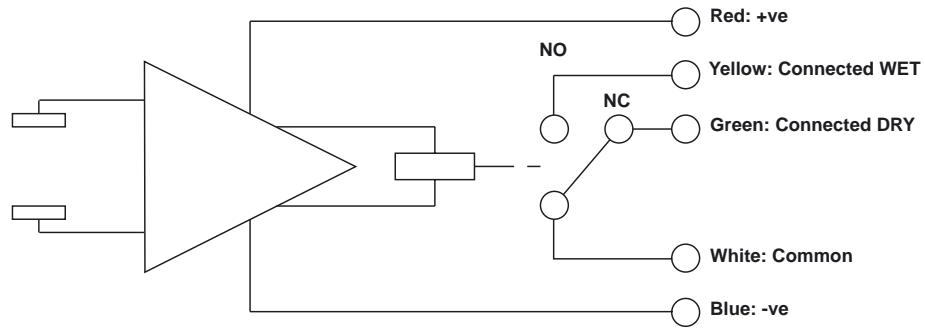
## Dimensions



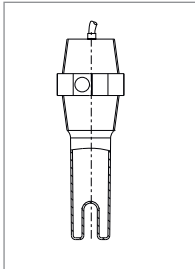
## Specifications

General	
Type	2284-Y-YYY
Repeatability	±2 mm (0.08 in.)
Environmental	
Process Temperature	-20 °C ... +70°C (-4 °F...+158 °F)
Ambient Temperature	-20 °C ... +70°C (-4 °F...+158 °F)
Process Pressure (absolute)	72.5 psi (5 bar)
Maximum Viscosity	5000 cSt at 20 C° (68 °F)
Enclosure	
Enclosure Material	PPS
Cable Material	PVC
Probe socket material	Stainless Steel 1.4571
Ingress protection	IP 66/IP68 (3 m) / NEMA 6P (10 ft)
Process Connection	3/4" or 1" BSP / NPT
Electrical	
Power Supply	18 to 30 VDC / AC
Power Consumption	≥ 25 mA
Max. Voltage Rating	30 VDC / AC
Max. Current Rating	1 A at 30 V residual 0.25 A at 30V inductive
Response Time	50 ms wet-dry, 0.5s dry-wet
Cable Type	5 core 7/0.2mm, 3m
Switching Function	SPCO relay No/Nc
Standards and Approvals	
General Approvals	CE, RoHS

# Wiring



## Ordering Information



Mfr. Part No.	Code	Description
Versions with BSP thread		
2284-Q-4BC	<b>159 300 270</b>	Body PPS, BSP 3/4", cable 3 m
2284-Q-4BC	<b>159 300 274</b>	Body PPS, BSP 1", cable 3 m
Versions with NPT thread		
2284-Q-4NC	<b>159 300 272</b>	Body PPS, NPT 1", cable 3 m

