

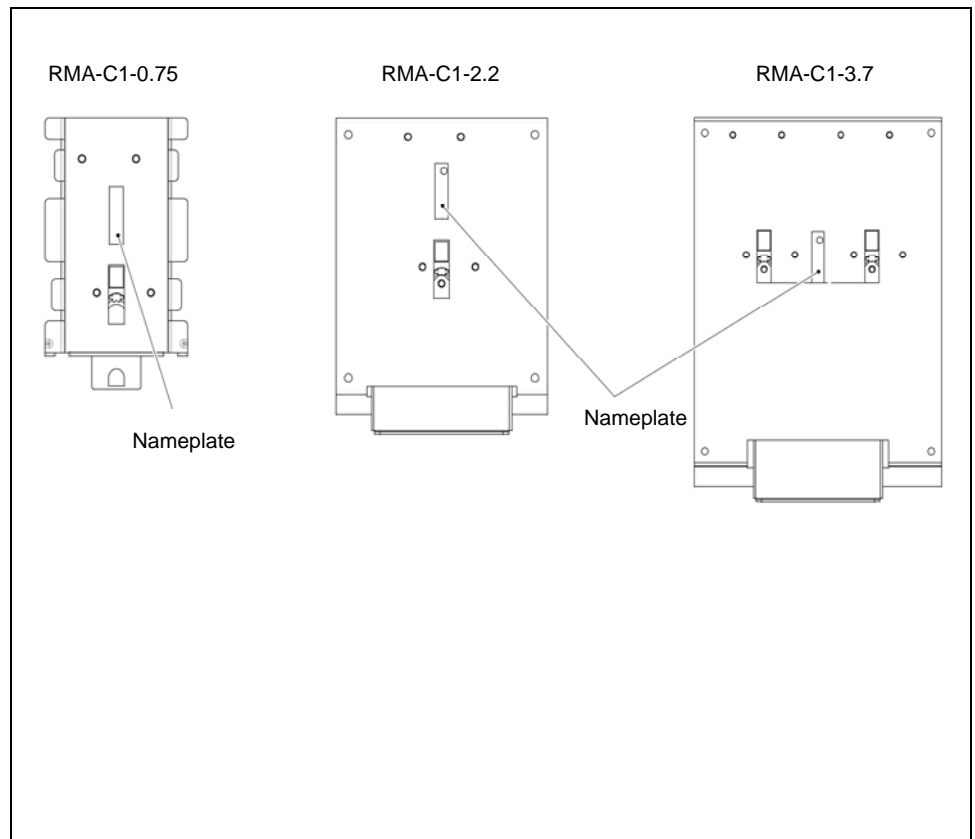
Rail Mounting Base "RMA-C1"

Thank you for purchasing the rail mounting base "RMA-C1." The base allows you to install your FRENIC-Mini to a DIN rail 35 mm (1.38 in) wide.

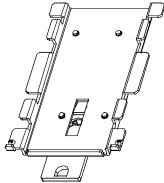
1. Check that:

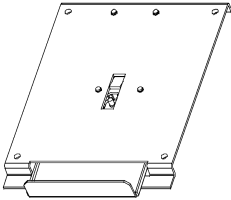
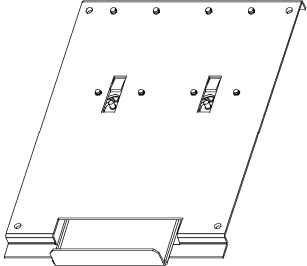
- (1) A rail mounting base is contained in the package.
- (2) The rail mounting base was not damaged or dented during transportation.
- (3) The rail mounting base is the model you ordered. You may check the model name (see the table below) printed on the nameplate (shown at the right) to ensure it matches your inverter.
- (4) If the rail mounting base is model RMA-C1-2.2 or RMA-C1-3.7, four screws (M4x12) are also contained in the package.

If you suspect the product is not working properly or if you have any questions about the product, contact the shop where you bought the product or your local FUJI branch office.



2. Rail Mounting Base Models and Applicable Inverter Models

Rail Mounting Base Models	Applicable Inverter Models
RMA-C1-0.75 	FRNF12C1S-2U FRNF25C1S-2U FRNF50C1S-2U FRN001C1S-2U
	FRNF12C1S-7U FRNF25C1S-7U FRNF50C1S-7U FRN001C1S-7U
	FRNF12C1S-6U FRNF25C1S-6U FRNF50C1S-6U

Rail Mounting Base Models	Applicable Inverter Models
RMA-C1-2.2 	FRN002C1S-2U FRN003C1S-2U FRNF50C1S-4U FRN001C1S-4U FRN002C1S-4U FRN003C1S-4U FRN002C1S-7U FRN001C1S-6U FRN001C1E-7U
RMA-C1-3.7 	FRN005C1S-2U FRN005C1S-4U FRN003C1S-7U

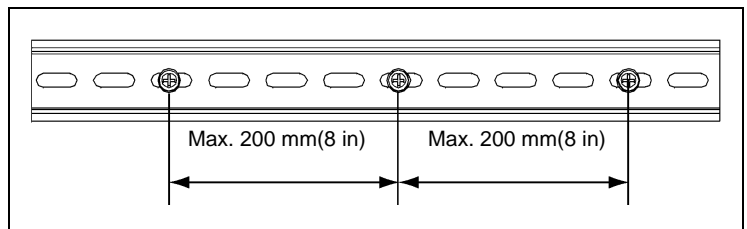
3. Precautions on Usage

- (1) In an environment where the FRENIC-Mini may be subjected to vibration or impact, the FRENIC-Mini installed to a din rail is **NOT** recommended.
- (2) Installation of the FRENIC-Mini with a rail mounting base is allowed only when the FRENIC-Mini is installed vertically.
- (3) When installing the FRENIC-Mini series of inverters together with other devices on the same din rail, keep a space of at least 10 mm(0.4 in) between components. However, as long as you are installing the FRENIC-Mini series of inverters only and the ambient temperature is 40°C(104°F) or below, side-by-side installation of the inverter without a gap is possible.

4. Installation Procedure

- (1) Installing a rail

Secure a din rail (on which you want to set up your FRENIC-Mini) with mounting screws at intervals of a maximum of 200 mm(8 in) 100 mm(4 in) or less recommended).

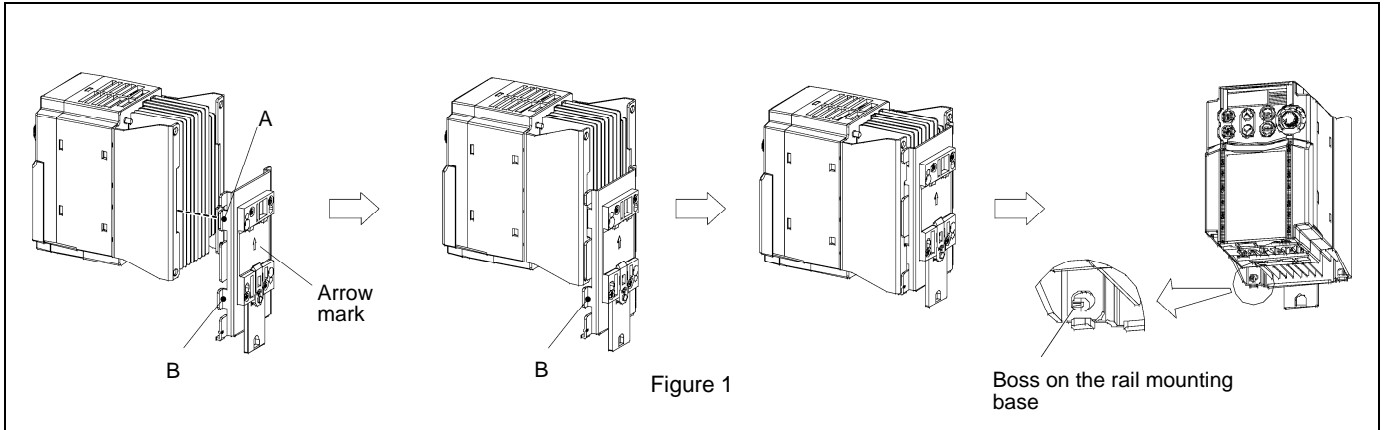


(2) Installation/Removal Procedure

v RMA-C1-0.75

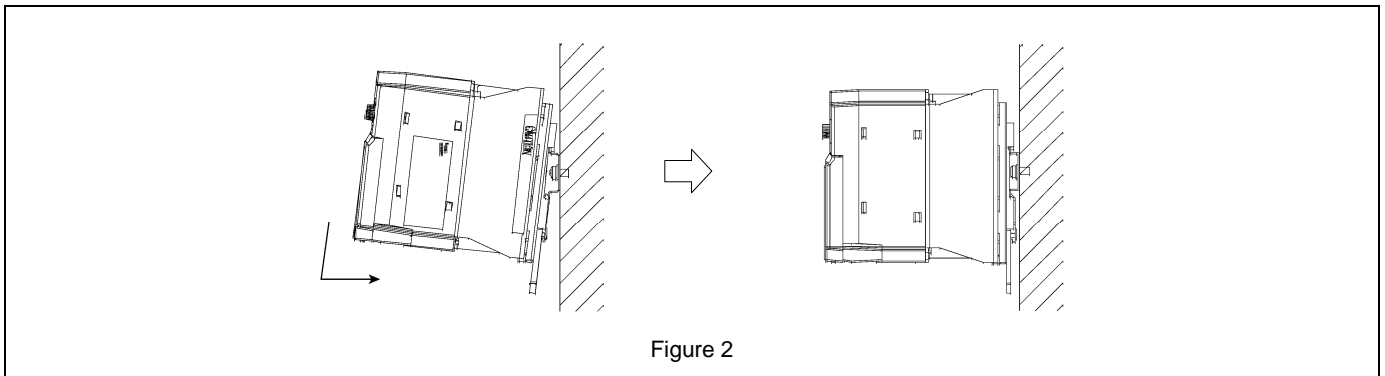
Installing the rail mounting base to your FRENIC-Mini

- 1) As illustrated below, hold the rail mounting base with the arrow mark facing up. Press the rail mounting base against the FRENIC-Mini straight so that the base's lower tabs "B" come to below the FRENIC-Mini's lower corners and tabs "A" become fitted in the cutouts provided in the rear center of the FRENIC-Mini.
- 2) Slide up the rail mounting base along the back of the FRENIC-Mini. Make sure that the bosses provided on the rail mounting base are fitted in the holes in the lower rear corners of the FRENIC-Mini.



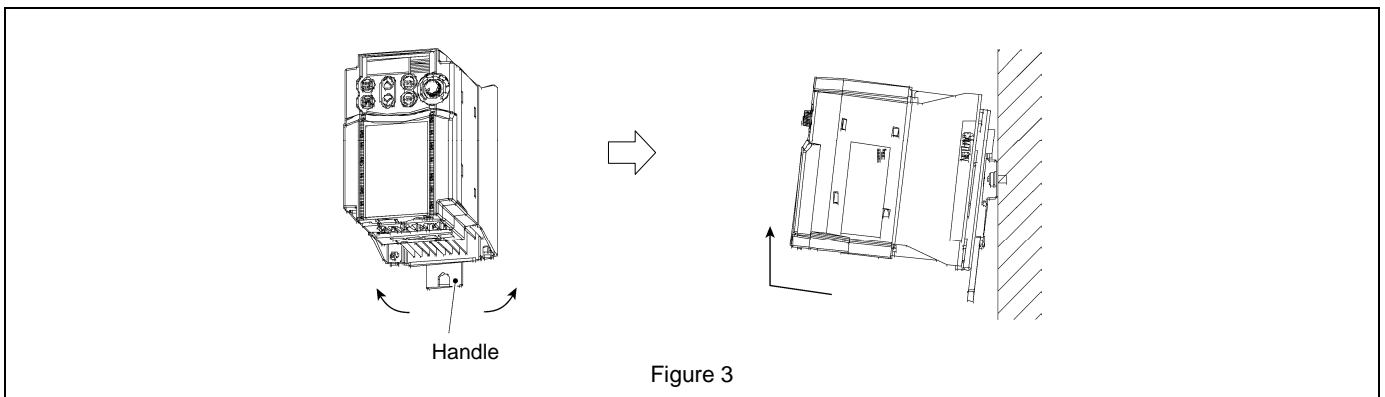
Installing the rail mounting base with the FRENIC-Mini to the din rail

- 1) Hook the upper latches of the rail mounting base over the upper edge of the din rail.
- 2) Press the lower end of the FRENIC-Mini against the din rail until the lower latches of the rail mounting base catch the din rail.



Removing the rail mounting base with the FRENIC-Mini from the din rail

- 1) While holding the FRENIC-Mini by hand, turn the handle of the rail mounting base clockwise or counterclockwise and pull the lower end of the FRENIC-Mini towards you to release it from the lower latches of the rail.
- ⚠ CAUTION Be sure to support the FRENIC-Mini while removing. Failure to do so might allow the FRENIC-Mini to fall.
- 2) Lift up the FRENIC-Mini and release the rail mounting base and FRENIC-Mini from the din rail.



Installing the rail mounting base to your FRENIC-Mini

- 1) As illustrated in Figure 4, set the FRENIC-Mini on the rail mounting base with the FRENIC-Mini's bottom facing towards the handle.
- 2) Secure the FRENIC-Mini to the rail mounting base with four screws (M4x12) that came with the rail mounting base.

Tightening torque: 1.8 N•m(0.74 lbf•ft)

Installing the rail mounting base with the FRENIC-Mini to the din rail
(See Figure 2.)

- 1) Hook the upper latches of the rail mounting base over the upper edge of the din rail. The RMA-C1-3.7 has four upper latches, make sure that all of the four latches catch the upper edge of the din rail.
- 2) Press the lower end of the FRENIC-Mini against the din rail until the lower latches of the rail mounting base catch the din rail.

Removing the rail mounting base with the FRENIC-Mini from the din rail
(See Figure 3.)

- 1) While holding the FRENIC-Mini by hand, pull down the handle of the rail mounting base and pull the lower end of the FRENIC-Mini towards you to release it from the lower latches of the din rail.

⚠ CAUTION Be sure to support the FRENIC-Mini while removing. Failure to do so might allow the FRENIC-Mini to fall.

- 2) Lift up the FRENIC-Mini and release the rail mounting base and FRENIC-Mini from the din rail.

