

PRESSURE TRANSMITTER (DIRECT MOUNT TYPE)

DATA SHEET
FKP...5

The FCX-AII pressure transmitter accurately measures gauge pressure and transmits proportional 4 to 20 mA signal.

The transmitter utilizes the unique micromachined capacitive silicon sensor with state-of-the-art microprocessor technology to provide exceptional performance and functionality.

FEATURES

1. High accuracy $\pm 0.1\%$

0.1% accuracy is a standard feature. Fuji's micro-capacitance silicon sensor assures this accuracy for all elevated or suppressed calibration ranges without additional adjustment.

2. Minimum inventory and design

Electronics unit, local indicators and electronics housing are interchangeable among all FCX-AII transmitters.

3. Minimum environmental influence

The "Advance Floating Cell" design which protects the pressure sensor against changes in temperature, and overpressure substantially reduces total measurement error in actual field applications.

4. Fuji/HART® bilingual communications protocol

FCX-AII series transmitter offers bilingual communications to speak both Fuji proprietary protocol and HART®.

Any HART® compatible devices can communicate with FCX-AII.

5. Application flexibility

Various options that render the FCX-AII suitable for almost any process applications include:

- Analog indicator at either the electronics side or terminal side
- Full range of hazardous area approvals
- Built-in RFI filter and lightning arrester
- 5 digit LCD meter with engineering unit
- Stainless steel electronics housing
- Wide selection of materials

6. Programmable output Linearization Function

Output signal can be freely programmable.

(Up to 14 compensated points at approximation)

7. Burnout current flexibility (Under Scale: 3.2 to 4.0 mA, Over Scale: 20.0 to 22.5 mA)

Burnout signal level is adjustable using Model FXW or Hand Held Communicator (HHC) to comply with NAMUR NE43.

8. Dry calibration without reference pressure

Thanks to the best combination of unique construction of mechanical parts (Sensor unit) and high performance electronics circuit (Electronics unit), reliability of dry calibration without reference pressure is at equal level as wet calibration.



SPECIFICATIONS

Functional specifications

Type:

FKP: Smart, 4 to 20 mA DC + Fuji/Hart® digital signal

Service:

Liquid, gas, or vapour

Span, range and overrange limit:

Type	Span limit kPa {bar}		Range limit kPa {bar}	Overrange limit MPa {bar}
	Min.	Max.		
FKP□01	8.125 {0.08125}	130 {1.3}	-100 to +130 {-1 to +1.3}	1 {10}
FKP□02	31.25 {0.3125}	500 {5}	-100 to +500 {-1 to +5}	1.5 {15}
FKP□03	187.5 {1.875}	3000 {30}	-100 to +3000 {-1 to +30}	9 {90}
FKP□04	625 {6.25}	10000 {100}	-100 to +10000 {-1 to +100}	15 {150}

Lower range limit (vacuum limit) is:

Silicone fill sensor: See Fig. 1

Fluorinated fill sensor: 66 kPa abs (500mmHg abs) at below 60°C

Output signal:

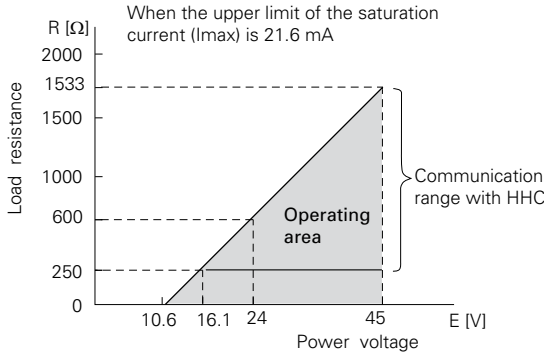
4 to 20 mA DC with digital signal superimposed on the analogic signal

Power supply:

Transmitter operates on 10.5 to 45 V DC at transmitter terminals.

10.5 to 32 V DC for the units with optional arrester

Load limitations: see figure below



Note) The load resistance varies with the upper limit of the saturation current [I max]

$$R [\Omega] = \frac{E [V] - 10.5}{(I_{max} [mA] + 0.9) \times 10^{-3}}$$

Note: For communication with HHC⁽¹⁾ (model: FXW), min. of 250 Ω required.

Hazardous locations:

Authority (Digit 10 =)	Intrinsic safety																					
ATEX (K)	Ex II 1 G Ex ia IIC T5 (-40°C ≤ Ta ≤ +50 °C) Ex ia IIC T4 (-40°C ≤ Ta ≤ +70 °C) IP66/67 Entity Parameters: Ui ≤ 28 Vdc, Ii ≤ 94.3 mA, Pi ≤ 0.66 W Ci = 36 nF/26 nF for models with/without Arrester Li = 0.7 mH/0.6 mH for models with/without Analog Indicator																					
Factory Mutual (H)	Class I II III Div.1 Groups A, B, C, D, E, F, G T4 Entity Type 4X <table border="1"> <thead> <tr> <th colspan="2">Model code</th> <th>Tamb</th> </tr> <tr> <th>9th digit</th> <th>13th digit</th> <th></th> </tr> </thead> <tbody> <tr> <td>A,B,C,D,J</td> <td>Y,G,N</td> <td>-40°C to +85°C</td> </tr> <tr> <td>L,P,M,1,2,3</td> <td>Y,G,N</td> <td>-20°C to +80°C</td> </tr> <tr> <td>Q,S,N,4,5,6</td> <td>Y,G,N</td> <td>-20°C to +60°C</td> </tr> <tr> <td>E,F,G,H,K</td> <td>Y,G,N</td> <td>-40°C to +60°C</td> </tr> <tr> <td>-</td> <td>W,A,D</td> <td>-10°C to +60°C</td> </tr> </tbody> </table> <p>Entity Parameters: Vmax=42.4V, Imax=113mA, Pi=1W, Ci=35.98nF, Li=0.694mH</p>	Model code		Tamb	9th digit	13th digit		A,B,C,D,J	Y,G,N	-40°C to +85°C	L,P,M,1,2,3	Y,G,N	-20°C to +80°C	Q,S,N,4,5,6	Y,G,N	-20°C to +60°C	E,F,G,H,K	Y,G,N	-40°C to +60°C	-	W,A,D	-10°C to +60°C
Model code		Tamb																				
9th digit	13th digit																					
A,B,C,D,J	Y,G,N	-40°C to +85°C																				
L,P,M,1,2,3	Y,G,N	-20°C to +80°C																				
Q,S,N,4,5,6	Y,G,N	-20°C to +60°C																				
E,F,G,H,K	Y,G,N	-40°C to +60°C																				
-	W,A,D	-10°C to +60°C																				
CSA (J)	Ex ia Class I, Groups A, B, C and D; Class II, Groups E,F and G; Class III Per drawing TC 522873 Temp. code T5 for Tamb max = +50°C Temp. code T4 for Tamb max = +70°C Entity Parameters: Vmax = 28 Vdc, Imax = 94.3 mA, Pmax = 0.66 W Ci = 36 nF/25 nF for models with/without Arrester Li = 0.7 mH/0.6 mH for models with/without Analog Indicator																					
IECEX (T)	Ex ia IIC T5 (-40°C ≤ Ta ≤ +50 °C) Ex ia IIC T4 (-40°C ≤ Ta ≤ +70 °C) IP66/67 Entity Parameters: Ui ≤ 28 Vdc, Ii ≤ 94.3 mA, Pi ≤ 0.66 W Ci = 36 nF/26 nF for models with/without Arrester Li = 0.7 mH/0.6 mH for models with/without Analog Indicator																					

Authority	Flameproof																					
ATEX (X)	Ex II 2 GD Ex d IIC T6 (-40°C ≤ Ta ≤ +65 °C) Ex d IIC T5 (-40°C ≤ Ta ≤ +85 °C) Ex tD A21 IP66/67 T 85°C Ex tD A21 IP66/67 T 100°C Electrical ratings Model Without arrester: Ui ≤ 45 Vdc, 4-20 mA loop powered, Pi ≤ 1.0125 W Model With arrester: Ui ≤ 32 Vdc, 4-20 mA loop powered, Pi ≤ 1.0125 W																					
Factory Mutual (D)	Class I Div.1 Groups B, C, D T6 Type 4X Class II III Div.1 Groups E, F, G T6 Type 4X Tamb max = +60°C																					
CSA (E)	Class I, Groups C and D; Class II, Groups E,F and G ; Class III Maximum ambient temperature 85°C Maximum working pressure 50 Mpa Electrical ratings Model Without arrester: Ui ≤ 45 Vdc, 4-20 mA Model With arrester: Ui ≤ 32 Vdc, 4-20 mA Note: "Seal not required"																					
IECEX (R)	Ex d IIC T6 (-40°C ≤ Ta ≤ +65 °C) Ex d IIC T5 (-40°C ≤ Ta ≤ +85 °C) DIP A21 IP66/67 T 85°C DIP A21 IP66/67 T 100°C Electrical ratings Model Without arrester: Ui ≤ 45 Vdc, 4-20 mA loop powered, Pi ≤ 1.0125 W Model With arrester: Ui ≤ 32 Vdc, 4-20 mA loop powered, Pi ≤ 1.0125 W																					
Authority (Digit 10 =)	Type n Nonincendive																					
ATEX (P)	Ex II 3 G Ex nA II T5 (-40°C ≤ Ta ≤ +70 °C) IP66/67 Electrical ratings Model Without arrester: Ui ≤ 45 Vdc, 4-20 mA loop powered, Pi ≤ 1.0125 W Model With arrester: Ui ≤ 32 Vdc, 4-20 mA loop powered, Pi ≤ 1.0125 W Optional Analog indicator is not available for type "n"																					
Factory Mutual (H)	Class I II III Div.2 Groups A, B, C, D, F, G T4 Entity Type 4X <table border="1"> <thead> <tr> <th colspan="2">Model code</th> <th>Tamb</th> </tr> <tr> <th>9th digit</th> <th>13th digit</th> <th></th> </tr> </thead> <tbody> <tr> <td>A,B,C,D,J</td> <td>Y,G,N</td> <td>-40°C to +85°C</td> </tr> <tr> <td>L,P,M,1,2,3</td> <td>Y,G,N</td> <td>-20°C to +80°C</td> </tr> <tr> <td>Q,S,N,4,5,6</td> <td>Y,G,N</td> <td>-20°C to +60°C</td> </tr> <tr> <td>E,F,G,H,K</td> <td>Y,G,N</td> <td>-40°C to +60°C</td> </tr> <tr> <td>-</td> <td>W,A,D</td> <td>-10°C to +60°C</td> </tr> </tbody> </table>	Model code		Tamb	9th digit	13th digit		A,B,C,D,J	Y,G,N	-40°C to +85°C	L,P,M,1,2,3	Y,G,N	-20°C to +80°C	Q,S,N,4,5,6	Y,G,N	-20°C to +60°C	E,F,G,H,K	Y,G,N	-40°C to +60°C	-	W,A,D	-10°C to +60°C
Model code		Tamb																				
9th digit	13th digit																					
A,B,C,D,J	Y,G,N	-40°C to +85°C																				
L,P,M,1,2,3	Y,G,N	-20°C to +80°C																				
Q,S,N,4,5,6	Y,G,N	-20°C to +60°C																				
E,F,G,H,K	Y,G,N	-40°C to +60°C																				
-	W,A,D	-10°C to +60°C																				
CSA (J)	Class I Div.2 Groups A, B, C, D Class II Div.2 Groups E, F, G Class III Div.2 Temp Code T5 Tamb max = +50°C Temp Code T4 Tamb max = +70°C Entity Parameters: Vmax = 28 Vdc, Imax = 94.3 mA, Pmax = 0.66 W Ci = 36 nF/25 nF for models with/without Arrester Li = 0.7 mH/0.6 mH for models with/without Analog Indicator																					
IECEX (Q)	Ex nA II T5 (-40°C ≤ Ta ≤ +70 °C) IP66/67 Electrical ratings Model Without arrester: Ui ≤ 45 Vdc, 4-20 mA loop powered, Pi ≤ 1.0125 W Model With arrester: Ui ≤ 32 Vdc, 4-20 mA loop powered, Pi ≤ 1.0125 W Optional Analog indicator is not available for type "n"																					

Zero/span adjustment:

Zero and span are adjustable from the HHC⁽¹⁾. Zero and span are also adjustable externally from the adjustment screw.

Damping:

Adjustable from HHC⁽¹⁾ or local adjustment unit with LCD display.

The time constant is adjustable between 0,06 to 32 sec.

Zero elevation/suppression:

-100% to +100% of URL

Normal/reverse action:

Selectable from HHC⁽¹⁾.

Indication:

Analog indicator or 5 digit LCD meter, as specified.

Burnout direction: Selectable from HHC⁽¹⁾

If self-diagnostic detect transmitter failure, the analog signal will be driven to either "Output Hold", "Output Overscale" or "Output Underscale" modes.

"Output Hold":

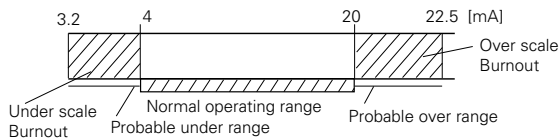
Output signal is hold as the value just before failure happens.

"Output Overscale":

Adjustable within the range 20.0 to 22.5 mA from HHC⁽¹⁾

"Output Underscale":

Adjustable within the range 3.2 to 4.0 mA from HHC⁽¹⁾



Output limits conforming to NAMUR NE43 by order.

Loop-check output:

Transmitter can be configured to provide constant signal 3.2 through 22.5 mA by HHC.

Temperature limit:

- Ambient: -40 to +85°C
- 20 to +80°C (for LCD indicator)
- 40 to +60°C (for arrester option)
- 10 to +60°C (for fluorinated oil fill transmitter)

For explosionproof units (flameproof or intrinsic safety), ambient temperature must be within the limits specified by each standard.

Process:

- 40 to +100°C for silicone oil fill sensor
- 20 to +80°C for fluorinated oil fill sensor

Storage: -40 to +90°C

Humidity limit:

0 to 100% RH (Relative Humidity)

Communication:

With HHC⁽¹⁾ (Model FXW, consult DS n° EDS8-47), following items can be remotely displayed or configured. Note: HHC's version must be higher than 7.0 (or FXW □□□□1-□4), for FCX-All for supporting these items: "Saturate current", "Write protect", and "History".

Items	Fuji Protocol with FXW		Hart® Protocol		By local configurator (with 3 push button), (LCD indicator)	
	Display	Set	Display	Set	Display	Set
Tag No.	✓	✓	✓	✓	✓	✓
Model No.	✓	✓	✓	✓	✓	✓
Serial No. & Software Version	✓	—	✓	—	✓	—
Engineering unit	✓	✓	✓	✓	✓	✓
Range limit	✓	—	✓	—	✓	—
Measuring range	✓	✓	✓	✓	✓	✓
Damping	✓	✓	✓	✓	✓	✓
Output mode	Linear	✓	✓	✓	✓	✓
	Square root	✓	✓	✓	✓	✓

Burnout direction	✓	✓	✓	✓	✓	✓
Calibration	✓	✓	✓	✓	✓	✓
Output adjust	—	✓	—	✓	—	✓
Data	✓	—	✓	—	✓	—
Self diagnoses	✓	—	✓	—	✓	—
Printer (In case of FXW with printer option)	✓	—	—	—	—	—
External switch lock	✓	✓	✓	✓	✓	✓
Transmitter display	✓	✓	✓	✓	✓	✓
Linearize*	✓	✓	—	—	—	—
Rerange	✓	✓	✓	✓	✓	✓
Saturate current	✓	✓	✓	✓	✓	✓
Write protect	✓	✓	✓	✓	✓	✓
History	—	—	—	—	—	—
	—	—	—	—	—	—

(Note) (1) HHC: Hand Held Communicator

Local configurator with LCD display (option):

Local configurator with 3 push button and LCD display can support all items (Fuji Protocol list) except "Linearize" function.

Programmable output linearization function:

Output signal can be characterized with "14 points linear approximation function" from HHC⁽¹⁾.

Performance specifications

Reference conditions, silicone oil fill, SS 316L isolating diaphragms, 4 to 20 mA analog output in linear mode.

Accuracy rating:

(including linearity, hysteresis, and repeatability)

For spans greater than 1/10 of URL:

$$\pm 0.1\% \text{ of span}$$

For spans below 1/10 of URL :

$$\pm (0.05 + 0.05 \frac{0.1 \times \text{URL}}{\text{span}}) \% \text{ of span}$$

Stability:

$\pm 0.2\%$ of upper range limit (URL) for 10 years (In case of 6th digit code "2", "3", "4")

Temperature effect:

Effects per 55°C change between the limits of -40°C and +85°C

Zero shift :

$$\pm (0.4 + 0.1 \frac{\text{URL}}{\text{span}}) \% / 28^\circ\text{C}$$

Total effect:

$$\pm (0.475 + 0.1 \frac{\text{URL}}{\text{span}}) \% / 28^\circ\text{C}$$

Overrange effect:

Zero shift, 0.3% of URL for any overrange to maximum limit

Supply voltage effect:

Less than 0.05% fo calibrated span per 10 V

Update rate:

60 msec

RFI effect :

< 0,2% of URL for the frequencies of 20 to 1000 MHz and field strength of 10 V/m when electronic housing covers are on (Classification : 2-abc : 0,2% of span according SAMA PMC 33.1)

Response time: (without electrical damping)

Time constant. 0.08 seconds (at 23°C)

Dead time: about 0.12 seconds

Response time = time constant + dead time

Mounting position effect:

Zero shift, less than 0.1 kPa {1mbar} for a 10° tilt in any plane.

This error can be corrected by adjusting zero.

(Double the effect for fluorinated fill sensors).

No effect on span.

Vibration effect:

< ±0,25% Of spans for spans greater than 1/10 of URL.

Frequency 10 to 150 Hz, acceleration 39,2 m/sec²

Material fatigue:

Please consult Fuji Electric.

Dielectric strength:

500 V AC, 50/60 Hz 1 min., between circuit and earth

Insulation resistance:

More than 100 MΩ at 500 V DC

Internal resistance for external field indicator:

12Ω Max (connected to test terminal CK+ and CK-).

Pressure equipment directive (PED) 97/23/EC:

According to Article 3.3

Physical specifications

Electrical connections:

1/2"-14 NPT, Pg13.5, or M20x1.5

Process connections:

1/2-14 NPT, 1/4-18 NPT, Rc 1/2, G1/2 A manometer fitting, M20 x 1,5.

Process-wetted parts material:

Material code (7th digit in Code symbols)	Process cover	Diaphragm	Wetted sensor body
J	SS 316L	SS 316L + Gold coating	SS 316L
V	SS 316L	SS 316L	SS 316L

Non-wetted parts material:

Electronics housing:

Low copper die-cast aluminum alloy, finished with polyester coating (standard), or SS 316L as specified.

Fill fluid:

Silicone oil (standard) or fluorinated oil (option)

Mounting bracket:

SS 304L

SS 316L (option)

Environmental protection:

IEC IP66/IP67 and NEMA4X

Mounting:

Without mounting bracket : direct mounting on manifold (optional)

With optional mounting bracket : for 50 mm (2") pipe or direct wall mounting

Mass {weight}:

Transmitter approximately : 1,7 kg without options.

Add; 0.5 kg for indicator

0.5 kg for mounting bracket

2 kg for stainless steel housing option

Optional features

Indicator:

A plug-in analog indicator (2.5% accuracy) can be housed in the electronics compartment or in the terminal box of the housing.

An optional 5 digit LCD meter with engineering unit is also available.

Local configurator with LCD display:

An optional 5 digits LCD meter with 3 push buttons can support items without using communication with HHC.

Arrester:

A built-in arrester protects the electronics from lightning surges.

Lightning surge immunity: 4 kV (1.2 x 50 μs)

Oxygen service:

Special cleaning procedures are followed throughout the process to maintain all process wetted parts oil-free.

The fill fluid is fluorinated oil.

Degreasing:

Process-wetted parts are cleaned, but the fill fluid is standard silicone oil. Not for use for oxygen or chlorine measurement.

NACE specification:

Metallic materials for all pressure boundary parts comply with NACE MR 0175 / ISO 15156.

SS 660 or SS 660/660 bolts and nuts comply with NACE MR 0175 / ISO 15156.

Optional tag plate:

An extra stainless steel tag with customer tag data is wired to the transmitter.

Vacuum service :

Special silicone oil and filling procedure are applied.

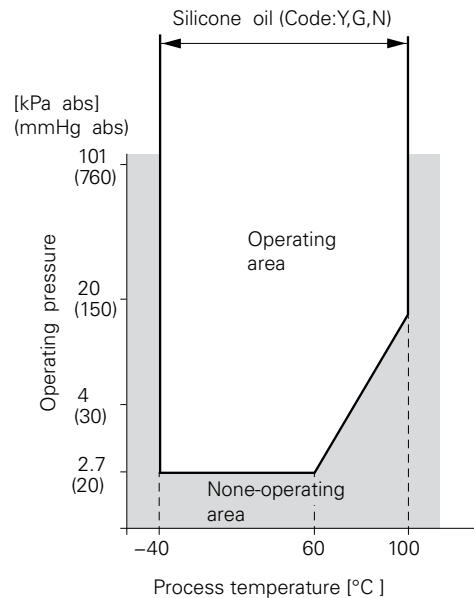


Fig.1 Relation between process temperature and operating pressure

ACCESSORIES

Hand-held communicator:

(Model FXW, refer to DSt n° EDS8-47)

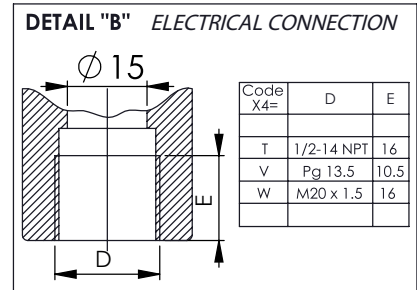
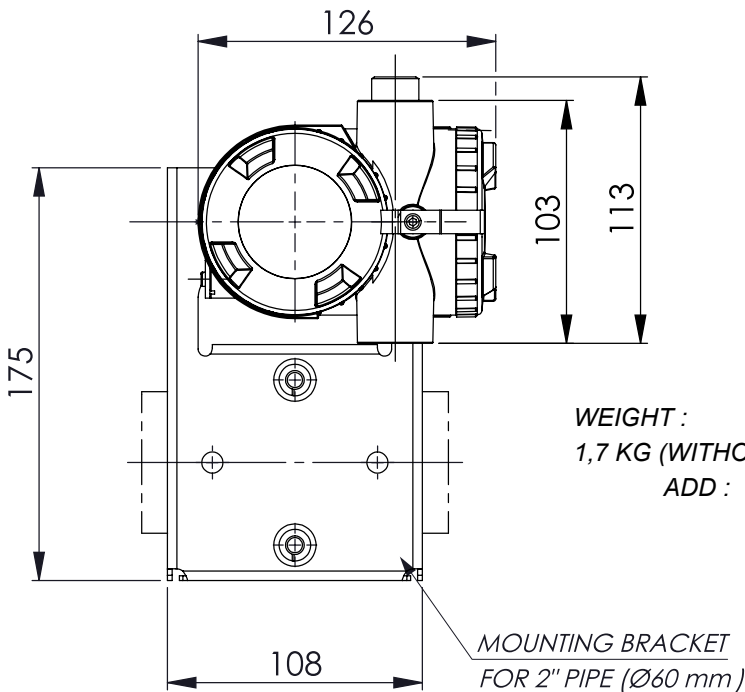
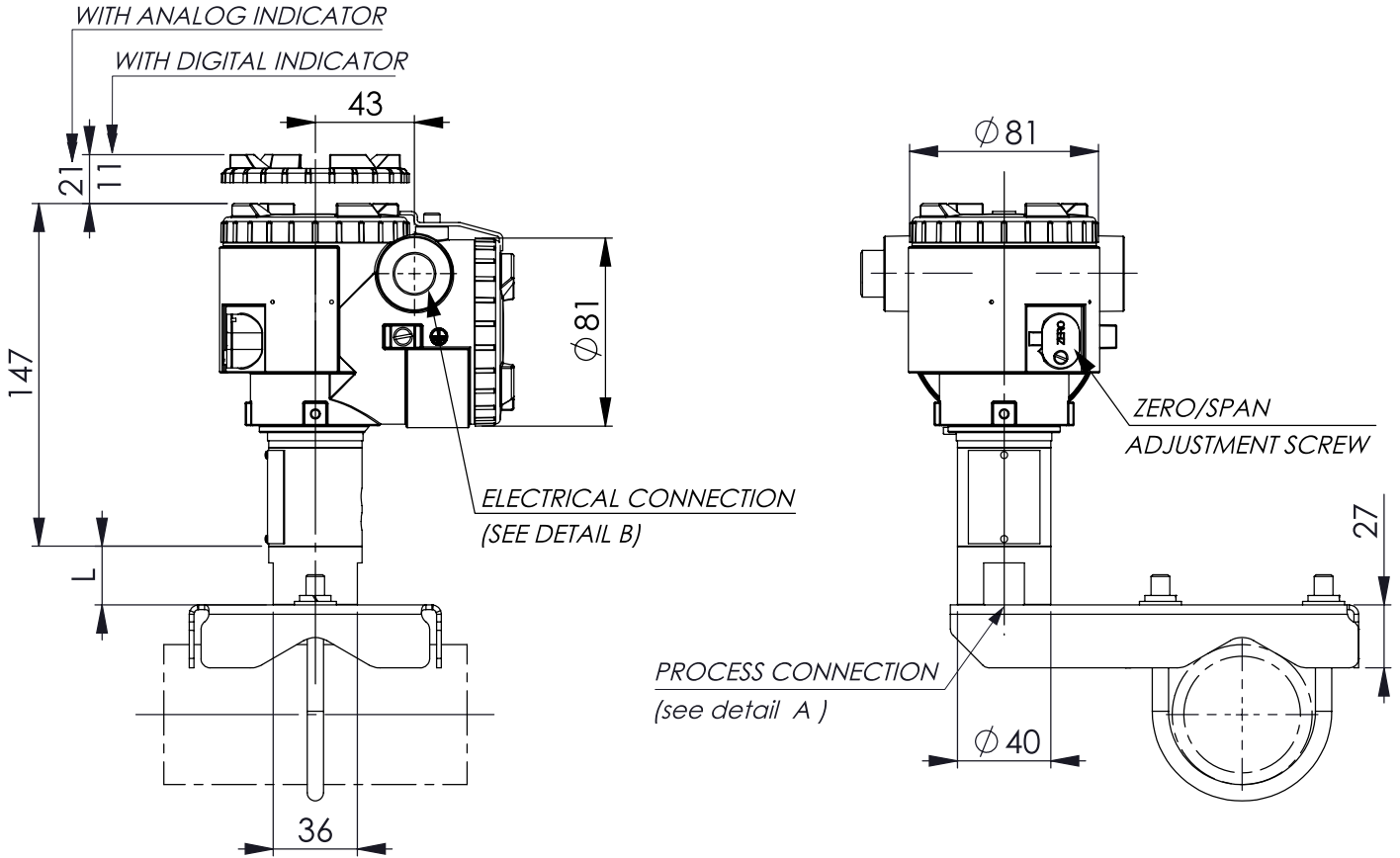
CODE SYMBOLS

1	2	3	4	5	6	7	8	9	10	11	12	13	14	15	DESCRIPTION																																																			
F	K	P		0			5						0		Type Smart, 4-20 mA dc + Fuji/Hart® digital signal																																																			
															Connections <table border="1"> <tr> <td>Process connection</td><td>Electrical connection</td> </tr> <tr> <td>See digit 15</td><td>1/2-14 NPT</td> </tr> <tr> <td>See digit 15</td><td>Pg 13,5</td> </tr> <tr> <td>See digit 15</td><td>M 20 x 1,5</td> </tr> </table>	Process connection	Electrical connection	See digit 15	1/2-14 NPT	See digit 15	Pg 13,5	See digit 15	M 20 x 1,5																																											
Process connection	Electrical connection																																																																	
See digit 15	1/2-14 NPT																																																																	
See digit 15	Pg 13,5																																																																	
See digit 15	M 20 x 1,5																																																																	
															Range & wetted parts material <table border="1"> <thead> <tr> <th>Span</th><th>Diaphragm material</th><th>Wetted parts</th> </tr> </thead> <tbody> <tr><td>0,08125/1,3 bar</td><td>SS 316L</td><td>SS 316L</td></tr> <tr><td>0,08125/1,3 bar</td><td>SS 316L / gold coat</td><td>SS 316L</td></tr> <tr><td>0,3125/5 bar</td><td>SS 316L</td><td>SS 316L</td></tr> <tr><td>0,3125/5 bar</td><td>SS 316L / gold coat</td><td>SS 316L</td></tr> <tr><td>1,875/30 bar</td><td>SS 316L</td><td>SS 316L</td></tr> <tr><td>1,875/30 bar</td><td>SS 316L / gold coat</td><td>SS 316L</td></tr> <tr><td>6,25/100 bar</td><td>SS 316L</td><td>SS 316L</td></tr> <tr><td>6,25/100 bar</td><td>SS 316L / gold coat</td><td>SS 316L</td></tr> </tbody> </table>	Span	Diaphragm material	Wetted parts	0,08125/1,3 bar	SS 316L	SS 316L	0,08125/1,3 bar	SS 316L / gold coat	SS 316L	0,3125/5 bar	SS 316L	SS 316L	0,3125/5 bar	SS 316L / gold coat	SS 316L	1,875/30 bar	SS 316L	SS 316L	1,875/30 bar	SS 316L / gold coat	SS 316L	6,25/100 bar	SS 316L	SS 316L	6,25/100 bar	SS 316L / gold coat	SS 316L																								
Span	Diaphragm material	Wetted parts																																																																
0,08125/1,3 bar	SS 316L	SS 316L																																																																
0,08125/1,3 bar	SS 316L / gold coat	SS 316L																																																																
0,3125/5 bar	SS 316L	SS 316L																																																																
0,3125/5 bar	SS 316L / gold coat	SS 316L																																																																
1,875/30 bar	SS 316L	SS 316L																																																																
1,875/30 bar	SS 316L / gold coat	SS 316L																																																																
6,25/100 bar	SS 316L	SS 316L																																																																
6,25/100 bar	SS 316L / gold coat	SS 316L																																																																
															Indicator & Arrester <table border="1"> <thead> <tr> <th>Indicator</th><th>Arrester</th><th>Initial setting</th> </tr> </thead> <tbody> <tr><td>None</td><td>None</td><td></td></tr> <tr><td>Analog, 0-100% linear scale</td><td>None</td><td></td></tr> <tr><td>Analog, Custom scale</td><td>None</td><td></td></tr> <tr><td>Analog, double scale</td><td>None</td><td></td></tr> <tr><td>None</td><td>Yes</td><td>4-20 mA DC</td></tr> <tr><td>Analog, 0-100% linear scale</td><td>Yes</td><td></td></tr> <tr><td>Analog, Custom scale</td><td>Yes</td><td>+</td></tr> <tr><td>Analog, double scale</td><td>Yes</td><td></td></tr> <tr><td>Digital, 0-100%</td><td>None</td><td>Hart® /Fuji digital signal</td></tr> <tr><td>Digital, Custom scale</td><td>None</td><td>"SMART"</td></tr> <tr><td>Digital, 0-100%</td><td>Yes</td><td></td></tr> <tr><td>Digital, Custom scale</td><td>Yes</td><td></td></tr> <tr><td>Digital, 0-100% with push button</td><td>None</td><td></td></tr> <tr><td>Digital, Custom scale with push button</td><td>None</td><td></td></tr> <tr><td>Digital, 0-100% with push button</td><td>Yes</td><td></td></tr> <tr><td>Digital, Custom scale with push button</td><td>Yes</td><td></td></tr> </tbody> </table>	Indicator	Arrester	Initial setting	None	None		Analog, 0-100% linear scale	None		Analog, Custom scale	None		Analog, double scale	None		None	Yes	4-20 mA DC	Analog, 0-100% linear scale	Yes		Analog, Custom scale	Yes	+	Analog, double scale	Yes		Digital, 0-100%	None	Hart® /Fuji digital signal	Digital, Custom scale	None	"SMART"	Digital, 0-100%	Yes		Digital, Custom scale	Yes		Digital, 0-100% with push button	None		Digital, Custom scale with push button	None		Digital, 0-100% with push button	Yes		Digital, Custom scale with push button	Yes	
Indicator	Arrester	Initial setting																																																																
None	None																																																																	
Analog, 0-100% linear scale	None																																																																	
Analog, Custom scale	None																																																																	
Analog, double scale	None																																																																	
None	Yes	4-20 mA DC																																																																
Analog, 0-100% linear scale	Yes																																																																	
Analog, Custom scale	Yes	+																																																																
Analog, double scale	Yes																																																																	
Digital, 0-100%	None	Hart® /Fuji digital signal																																																																
Digital, Custom scale	None	"SMART"																																																																
Digital, 0-100%	Yes																																																																	
Digital, Custom scale	Yes																																																																	
Digital, 0-100% with push button	None																																																																	
Digital, Custom scale with push button	None																																																																	
Digital, 0-100% with push button	Yes																																																																	
Digital, Custom scale with push button	Yes																																																																	
															Approvals for hazardous locations (consult FUJI for availability) A None (Standard) X ATEX - Flameproof enclosures (digit 4 = "T" & "W" only) K ATEX - Intrinsic Safety D (*1) FM - Explosion-Proof (digit 4 = "T" only) E CSA - Explosion-Proof (digit 4 = "T" only) H FM - Intrinsic Safety and Non Incendive J CSA - Intrinsic Safety P ATEX - Type "n" (digit 9 = A, E, 1, 2, 3, 4 & 5 only) Q IECEx - Type "n" (digit 9 = A, E, 1, 2, 3, 4 & 5 only) R IECEx - Flameproof enclosures (digit 4 = "T" & "W" only) T IECEx - Intrinsic Safety L CSA - Explosion-Proof & Intrinsic Safety combined approval (digit 4 = "T" only) M ATEX - Flameproof enclosures & Intrinsic Safety combined approval (digit 4 = "T" & "W" only) N IECEx - Flameproof enclosures & Intrinsic Safety combined approval (digit 4 = "T" & "W" only) V FM - Explosion-Proof & Intrinsic Safety combined approval (digit 4 = "T" only)																																																			
															Mounting bracket A None C Yes (SS 304L)																																																			
															Stainless Steel parts <table border="1"> <thead> <tr> <th>Tag plate</th><th>Housing</th> </tr> </thead> <tbody> <tr><td>None</td><td>None</td></tr> <tr><td>Yes</td><td>None</td></tr> <tr><td>None</td><td>Yes</td></tr> <tr><td>Yes</td><td>Yes</td></tr> </tbody> </table>	Tag plate	Housing	None	None	Yes	None	None	Yes	Yes	Yes																																									
Tag plate	Housing																																																																	
None	None																																																																	
Yes	None																																																																	
None	Yes																																																																	
Yes	Yes																																																																	
															Special applications & fill fluid <table border="1"> <thead> <tr> <th>Treatment</th><th>Fill fluid</th> </tr> </thead> <tbody> <tr><td>None (std)</td><td>Silicone oil</td></tr> <tr><td>Degreasing</td><td>Silicone oil</td></tr> <tr><td>Oxygen service</td><td>Fluorinated oil</td></tr> <tr><td>NACE</td><td>Silicone oil</td></tr> </tbody> </table>	Treatment	Fill fluid	None (std)	Silicone oil	Degreasing	Silicone oil	Oxygen service	Fluorinated oil	NACE	Silicone oil																																									
Treatment	Fill fluid																																																																	
None (std)	Silicone oil																																																																	
Degreasing	Silicone oil																																																																	
Oxygen service	Fluorinated oil																																																																	
NACE	Silicone oil																																																																	
															Processconnection (welded) adaptor - all stainless steel parts - 0 Y 1/2 - 14 NPTI - 0 B Rc 1/2 I - 0 C 1/4 - 18 NPTI - 0 D 1/2 - 14 NPTE - 0 E G 1/2"A manometer fitting - 0 F M20 x 1,5																																																			

Note* :

1 - Codes "D" and "V" , FM approval only possible with electrical connection 1/2"-14 NPT.

OUTLINE DIAGRAM (Unit:mm)

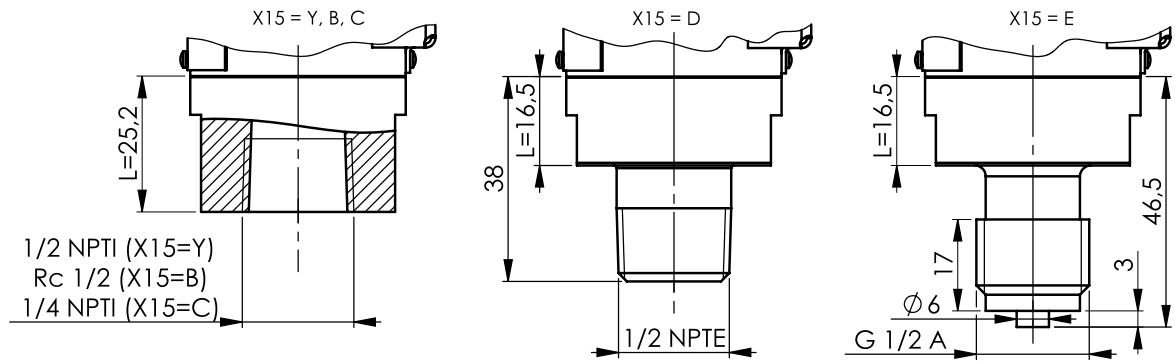


WEIGHT :
1,7 KG (WITHOUT OPTION)

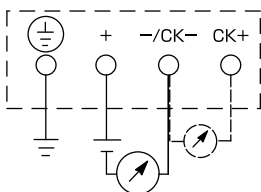
ADD :
- 0,5 KG FOR MOUNTING BRACKET
- 2 KG FOR STAINLESS STEEL HOUSING OPTION

X ₁ X ₂ X ₃ X ₄ X ₅ X ₆ X ₇ X ₈ - X ₉ X ₁₀ X ₁₁ X ₁₂ X ₁₃ - X ₁₄ X ₁₅ F K P □ 0 □ V 5 - □ □ □ □ □ - 0 □	SPAN LIMIT	
	Min.	Max.
FKP□01	8,125 kPa (0,08125 bar)	130 kPa (1,3 bar)
FKP□02	31,25 kPa (0,3125 bar)	500 kPa (5 bar)
FKP□03	187,5 kPa (1,875 bar)	3000 kPa (30 bar)
FKP□04	625 kPa (6,25 bar)	10000 kPa (100 bar)

Details "A" - Process connection



CONNECTION DIAGRAM



EMC Directive (2004/108/EC)

All models of **FCX** series transmitters type **FCX-AII** are in accordance with :

- the harmonized standards:
 - EN 61326-1 : 2006 (Electrical equipment for measurement, control and laboratory use - EMC requirements).
 - EN 61326-2-3 : 2006 (Part 2-3 : Particular requirements - Test configuration, operational conditions and performance criteria for transducers with integrated or remote signal conditioning)

Emission limits : EN 61326-1 : 2006

Frequency range (MHz)	Limits	Basic standard
30 to 230	40 dB ($\mu\text{V/m}$) quasi peak, measured at 10m distance	EN 55011 / CISPR 11 Group 1 Class A
230 to 1000	47 dB ($\mu\text{V/m}$) quasi peak, measured at 10m distance	

Immunity requirements : EN 61326-1 : 2006 (Table 2)

Phenomenon	Test value	Basic standard	Performance criteria
Electrostatic discharge (EDS)	4 kV (Contact)	EN 61000-4-2	B
	8 kV (Air)	IEC 61000-4-2	
Electromagnetic field	10V/m (80 to 1000 MHz)	EN 61000-4-3	A
	3 V/m (1.4 to 2.0 GHz)	IEC 61000-4-3	
	1 V/m (2.0 to 2.7 GHz)		
Rated power frequency Magnetic field	30 A/m	EN 61000-4-8	A
		IEC 61000-4-8	
Burst	2 kV (5/50 NS, 5 kHz)	EN 61000-4-4 IEC 61000-4-4	B
Surge	1 kV Line to line 2 kV Line to line	EN 61000-4-5	B
		IEC61000-4-5	
Conducted RF	3 V (150 kHz to 80 MHz)	EN 61000-4-6 IEC61000-4-6	A

Performance criteria :

A : During testing, normal performance within the specification limits.

B : During testing, temporary degradation or loss of function or performance which is self-recovering.



Fuji Electric France S.A.S.

46 rue Georges Besse - ZI du brézet - 63039 Clermont ferrand

Tél : 04 73 98 26 98 - Fax : 04 73 98 26 99

Mail : sales.dpt@fujielectric.fr - web : www.fujielectric.fr