

LEVEL TRANSMITTERS

DATA SHEET

FKE...F

The FCX-AII V5 level transmitter accurately measures liquid levels and transmits a proportional 4-20 mA output signal.

The transmitter uses a unique micro-capacitive silicon sensor in combination with a state-of-the-art digital signal processing to provide exceptional performances in terms of accuracy and stability.

FEATURES

1. High accuracy

The Fuji Electric's micro-capacitive sensor provides in standard $\pm 0.165\%$ accuracy for all elevated or suppressed calibration ranges without additional adjustments.

$\pm 0.1\%$ accuracy is available in option.

2. Minimum inventory and design

Electronics unit, local indicators and electronics housing are interchangeable among all FCX-AII V5 transmitters.

3. Minimum environmental influence

The Advanced Floating Cell technology provides a high immunity against temperature variations, static pressure and overpressure commonly found in the process industry and substantially reduces the overall measurement error.

4. HART/Fuji Electric communication protocols

FCX-AII V5 series of pressure transmitters can communicate using either the universal HART or the proprietary and faster Fuji Electric communication protocol.

By the use of Device Description files, HART compatible devices can communicate with any FCX-AII V5 transmitter.

5. Application flexibility

Various options are available to address most of the process industry applications, including :

- Full range of hazardous area approvals
- Built-in RFI filter and lightning arrester
- Analog or 5-digits local display with engineering units
- Stainless steel electronics housing
- Wide selection of wetted part materials

6. Programmable Output Linearization Function

The output signal can be linearized using up to 14 point pairs.

7. Burnout current flexibility

The burnout current value can be adjusted in the ranges of [3.2 ; 4.0] and [20.0 ; 22.5] mA and can be compliant with NAMUR NE43 recommendations.



SPECIFICATIONS

Functional specifications

Type :

FKE : Smart, 4-20 mA + HART/Fuji Electric communication protocols

Service :

Liquid

Static pressure, span, and range limit :

Model	Static pressure	Span limits (mmWC)		Range limits (mmWC)
		Min.	Max.	
FKE□□2	Up to flange rating	10	600	± 600
FKE□□3		32	3200	± 3200
FKE□□5		130	13000	± 13000
FKE□□6		500	50000	± 50000
FKE□□8		3000	300000	± 300000

Remark :

To minimize environmental influence, span should be greater than 1/40 of the maximum span in most applications.

Lower limit of static pressure : (vacuum limit)

Silicone fill sensor : see fig.1

Fluorinated fill sensor : 66 kPa abs (500 mmHg abs) at temperature below 60 °C (see fig.2)

Overrange limit :

To maximum static pressure limit

Output signal :

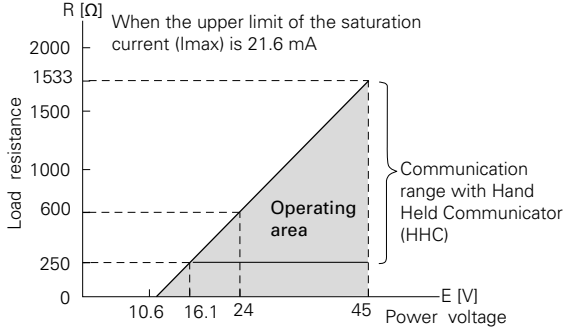
4-20 mA with digital signal superimposed on the analogic signal.

Power supply :

10.5 to 45 V DC at transmitter terminals.
10.5 to 32 V DC with the optional arrester.

Refer to hazardous location table for specific limitations.

Load limitations : see figure below



Note 1 : The load resistance varies with the upper limit of the saturation current [I max]

$$R [\Omega] = \frac{E [V] - 10.5}{(I_{max} [mA] + 0.9) \times 10^{-3}}$$

Note 2 : For communication with HHC (FXW model), a minimum load of 250 Ω is required.

Hazardous locations : (see Table below)

Marking (Digit 10 =)	Protection type		
ATEX	Intrinsic Safety "i"		
	Ex II 1G/D		
	Ex ia IIC T4 Ga (-40°C ≤ Ta ≤ +70°C)		
	Ex ia IIC T5 Ga (-40°C ≤ Ta ≤ +50°C)		
	Ex ia IIIC T135°C Da (-40°C ≤ Ta ≤ +70°C)		
	Ex ia IIIC T100°C Da (-40°C ≤ Ta ≤ +50°C)		
	IP 66/67		
	Electrical Parameters :		
	Ui ≤ 28 Vdc, li ≤ 94.3 mA, Pi ≤ 0.66 W		
	Ci = 26 nF(1) / 36 nF(2), Li = 0.6 mH(3) / 0.7mH(4)		
	(K)	Flameproof Enclosure "d"	
		Ex II 2G/D	
		Ex d IIC T5 Gb (-40°C ≤ Ta ≤ +85°C)	
		Ex d IIC T6 Gb (-40°C ≤ Ta ≤ +65°C)	
		Ex tb IIIC T100°C Db (-40°C ≤ Ta ≤ +85°C)	
		Ex tb IIIC T85°C Db (-40°C ≤ Ta ≤ +65°C)	
	45 Vdc max		
	(X)	Increased Safety "e"	
Ex II 3G/D			
Ex ec IIC T5 Gc (-40°C ≤ Ta ≤ +70°C)			
Ex tc IIIC T100°C Dc (-40°C ≤ Ta ≤ +70°C)			
45 Vdc max			
(P)	Combination (K) + (X)		
	(M)		
IECEx	Intrinsic Safety "i"		
	Ex ia IIC T4 Ga (-40°C ≤ Ta ≤ +70°C)		
	Ex ia IIC T5 Ga (-40°C ≤ Ta ≤ +50°C)		
	Ex ia IIIC T135°C Da (-40°C ≤ Ta ≤ +70°C)		
	Ex ia IIIC T100°C Da (-40°C ≤ Ta ≤ +50°C)		
	IP 66/67		
	Electrical Parameters :		
	Ui ≤ 28 Vdc, li ≤ 94.3 mA, Pi ≤ 0.66 W		
	Ci = 26 nF(1) / 36 nF(2), Li = 0.6 mH(3) / 0.7mH(4)		
	(T)	Flameproof Enclosure "d"	
		Ex d IIC T5 Gb (-40°C ≤ Ta ≤ +85°C)	
		Ex d IIC T6 Gb (-40°C ≤ Ta ≤ +65°C)	
		Ex tb IIIC T100°C Db (-40°C ≤ Ta ≤ +85°C)	
		Ex tb IIIC T85°C Db (-40°C ≤ Ta ≤ +65°C)	
		45 Vdc max	
	(R)	Increased Safety "e"	
		Ex ec IIC T5 Gc (-40°C ≤ Ta ≤ +70°C)	
		Ex tc IIIC T100°C Dc (-40°C ≤ Ta ≤ +70°C)	
		45 Vdc max	
		(Q)	Combination (T) + (R)
			(N)

cCSAus		Intrinsic safety / Non Incendive / Class 1 Division 2
(J)		IS Class I Division 1, Groups ABCD Ex ia
		Class II Groups EFG; Class III
		NI Class I Division 2, Groups ABCD
		(Per control drawing TC522873)
		Class I Division 2, Groups ABCD
		T4 (-40°C ≤ Ta ≤ +70°C)
		T5 (-40°C ≤ Ta ≤ +50°C)
		Ui ≤ 28 Vdc, li ≤ 94.3 mA, Pi ≤ 0.66 W
		Ci = 26 nF(1) / 36 nF(2), Li = 0.6 mH(3) / 0.7mH(4)
		(E)
XP Class I Division 1, Groups CD		
Class II Groups EFG; Class III		
T5 (-40°C ≤ Ta ≤ +85°C)		
T6 (-40°C ≤ Ta ≤ +65°C)		
Vmax = 42.4 Vdc		
(L)		Combination (J) + (E)
ATEX		
IECEx	(W)	Combination (K) + (X) + (T) + (R) + (J) + (E)
cCSAus		

- (1) Without optional arrester
- (2) With optional arrester
- (3) Without analog indicator
- (4) With analog indicator

Configuration :

Configuration of the FCX-All V5 series of pressure transmitters can be carried out by either using a Hand Held Terminal (ie. Fuji Electric FXW or third party HART terminal) or the 3 push-buttons optional indicator.

A third party HART hand held communicator can be used in combination with Fuji Electric FCX-All V5 HART Device Description files (<https://fieldcommgroup.org>).

Functions	Fuji Electric FXW		Third party HART HHC		3 push buttons optional indicator	
	Display	Set	Display	Set	Display	Set
Tag Nb	✓	✓	✓	✓	✓	✓
Model Nb	✓	✓	✓	✓	✓	✓
Serial Nb & Software revision	✓	—	✓	—	✓	—
Engineering units	✓	✓	✓	✓	✓	✓
Upper Range Value	✓	—	✓	—	✓	—
Measuring Range	✓	✓	✓	✓	✓	✓
Damping	✓	✓	✓	✓	✓	✓
Output signal type	Linear	✓	✓	✓	✓	✓
	Square Root	✓	✓	✓	✓	✓
Burnout current	✓	✓	✓	✓	✓	✓
Calibration	✓	✓	✓	✓	✓	✓
Output Adjust	—	✓	—	✓	—	✓
Measuring Value	✓	—	✓	—	✓	—
Self Diagnosis	✓	—	✓	—	✓	—
Printer (option)	✓	—	—	—	—	—
External Adj Screw Lock	✓	✓	✓	✓	✓	✓
Transmitter Display	✓	✓	✓	✓	✓	✓
Linearization	—	—	✓	✓	✓	✓
Rerange	✓	✓	✓	✓	✓	✓
Saturation Current	✓	✓	✓	✓	✓	✓
Write Protect	✓	✓	✓	✓	✓	✓
History	—	✓	—	✓	—	✓
	—	✓	—	✓	—	✓

Note 1 : The FXW firmware revision must be higher than 7.0 in order to address FCX-All V5 "Saturation Current", "Write Protect" and "History" functions.

Note 2 : The "Linearization" function is not accessible through the 3 push-buttons optional indicator.

Zero/span adjustment :

Zero and span are adjustable remotely with a Hand Held Communicator or locally with the external adjustment screw

Damping :

The damping time constant can be adjusted within the range of [0.06 to 32] seconds

Zero elevation/suppression :

±100% of URL

Normal/reverse action :

Selectable from the Hand Held Communicator

Local indicator :

One optional analog or 5-digits local indicator

Burnout direction and saturation currents :

If the self-diagnostic functions detect a transmitter failure, the burnout function will drive the output signal to either "Output Hold", "Output Overscale" or "Output Underscale" modes.

When "Output Hold" :

The output signal is held as the last value just before the failure happens.

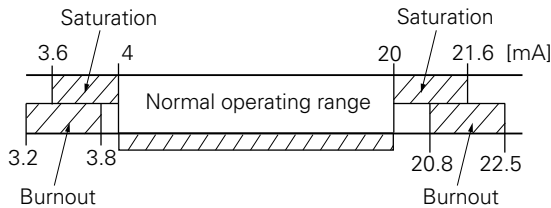
When "Output Overscale" :

The output signal is set within the range of [20.0 to 22.5] mA

When "Output Underscale" :

The output signal is set within the range of [3.2 to 4.0] mA

Both burnout and saturation current can be adjusted within the range of [3.2 ; 4.0] and [20.0 ; 22.5] mA

**Loop-check / fixed output currents :**

The transmitter can be configured to provide a constant output signal from 3.2 up to 22.5 mA

Temperature limit :

Ambient :

-40 to +85°C

-20 to +80°C (for LCD indicator)

-40 to +60°C (for arrester option)

Please refer to the hazardous locations table for ambient temperature limitations according to the standard and type of protection.

Process :

	Code in the 13th digit of "Model code symbols"	Process temperature	Lower limit of static pressure
Fluorinated oil	W, A	-20 to 120°C	Atmospheric
Silicone oil	Y and G	-40 to 150°C	20 torr

Note : For higher process temperature, please consult Fuji Electric.

Storage :

-40 to +90°C

Humidity limit :

0 to 100% RH (Relative Humidity)

PERFORMANCE SPECIFICATIONS

Reference conditions, silicone filling oil, SS 316L isolating diaphragms, 4-20 mA analog output.

Accuracy rating: (including linearity, hysteresis, and repeatability)

Standard :

For spans > 1/10 of URL :

±0.165% of span

For spans < 1/10 of URL :

± (0.1 + 0.01 × $\frac{URL}{Span}$)% of span

Option

For spans > 1/10 of URL :

± 0.1% of span

For spans < 1/10 of URL :

± (0.05 + 0.005 × $\frac{URL}{Span}$)% of span

Stability :

±0.2% of upper range limit (URL) for 10 years.

Temperature effect:

Effects per 28°C change between the limits of -40°C and +85°C

Zero shift (transmitter only) :

±0.3 of URL

Zero shift (level kit only) :

+0.3 mbar / 28°C

Total effect (level kit and transmitter) :

±0.3% of URL

Note :

The indicated values are for temperature compensation made on transmitter only, without level kit.

Zero shift is improved (2 to 3 times) by an additional temperature compensation of the complete level transmitter (level kit and transmitter)

Static pressure effect :

Zero shift :

±0.2% of URL / 1MPa

Span shift :

±0.2% of calibrated span / 1MPa

Double the effects for material code (7th digit in the model code) "H", "M", "T", "B", "P" and "R"

Overrange effect :

Zero shift :

±0.15% of URL (160bar max)

Double the effects for material code (7th digit in the model code) "H", "M", "T", "B", "P" and "R"

Supply voltage effect :

Less than 0.005% of calibrated span per 1 V

Update rate :

60 msec

RFI effect :

< 0.2% of the URL for the frequencies from 20 up to 1000 MHz with an electrical field strength of 10 V/m and housing covers in place. (Classification : 2-abc : 0.2% of span according SAMA PMC 33.1).

Response time : (63.3% of output signal without damping)

Range code	Time constant (at 23°C)	Dead time
"3"	550 msec	120 msec approx.
"5" to "8"	300 msec	

Response time = time constant + dead time

Mounting position effect :

Zero shift, less than 30 mmWC for a 10° tilt in any position (no extension). This error can be corrected by adjusting zero.

(Double the effect for fluorinated fill sensor).

No effect on span.

Vibration effect :

< ±0.25% of span for spans greater than 1/10 of URL.

Frequency 10 to 150 Hz, acceleration 39.2 m/sec².

Material fatigue :

Please consult Fuji Electric.

Dielectric strength:

500 V AC, 50/60 Hz 1 min., between circuit and earth (except with the optional arrester).

Insulation resistance :

More than 100 MΩ at 500 V DC.

Turn-on time :

4 seconds

Internal resistance for external field indicator :

12 Ω Max (connected to test terminal CK+ and CK-)

Pressure equipment directive (PED) 2014/68/EU

According to Article 4.3

PHYSICAL SPECIFICATIONS

Conduit connections :

1/2-14 NPT, Pg13.5 or M20x1.5

Process connections :

LP side :

Standard :

1/4-18 NPT

Option :

1/2-14 NPT with oval flanges

HP side :

ANSI or DIN raised face flange.

Raised face flange machining:

Stockfinish - SS 316L diaphragm

Smooth finish - Other diaphragm materials

Process-wetted parts material :

Material code (7th digit in model code)	LP side			HP side
	Process cover	Diaphragm	Wetted sensor body	Diaphragm & flange face
V	SS 316L	SS 316L	SS 316L	SS 316L
W	SS 316L	Hastelloy-C	SS 316L	Hastelloy-C
H	SS 316L	SS 316L	SS 316L	Hastelloy-C
M	SS 316L	SS 316L	SS 316L	Monel
T	SS 316L	SS 316L	SS 316L	Tantalum
A	SS 316L	SS 316L	SS 316L	SS 316L + FEP lining diaphragm
B	SS 316L	SS 316L	SS 316L	SS 316L + Gold coating
P	SS 316L	SS 316L	SS 316L	Titanium
R	SS 316L	SS 316L	SS 316L	Zirconium

Note: Gasket : Viton O-ring or PTFE/15% graphite square section gasket.

Non-wetted parts material :

Electronics housing :

Low copper die-cast aluminum, finished with polyester coating (standard), or SS 316 as specified.

Bolts and nuts :

Cr-Mo alloy (standard) or SS 316(L)

Filling fluid :

Silicone oil (standard) for the measuring cell and level kit
silicone oil (standard) for the measuring cell and fluorinated oil (or specific oils upon request) for the level kit.

Mounting flange :

SS 316L

Environmental protection :

IEC IP66/67 and Type 4X

Flange mounting :

See drawings

Mass {weight} :

Transmitter : 10.2 to 19.2 kg without options.

Add : 0.3 kg for indicator

0.5 kg for mounting bracket

2.0 kg for stainless steel housing (option)

1.0 kg per 50 mm extension of diaphragm

ACCESSORIES

Oval flange :

Converts process connection to 1/2-14 NPT

Hand held communicator :

Model FXW, refer to datasheet EDS8-47

OPTIONAL FEATURES

Local indicator :

A plug-in analog indicator (2.5% accuracy) can be mounted into the electronics compartment or the terminal box of the housing.

An optional 5-digits indicator with engineering units is also available.

Local configuration with the 3 push-buttons indicator :

A local configuration can be carried out with the optional 3 push-buttons 5-digits indicator.

Arrester :

A built-in arrester protects the electronics from lightning surges.

Lightning surge immunity :

±4 kV (1.2 × 50 μs)

Oxygen service :

Special cleaning procedures are applied during the manufacturing process to maintain oil free all process wetted parts. The filling fluid is fluorinated oil.

Chlorine service :

Same procedures and filling fluid as for oxygen service

Degreasing :

Process-wetted parts are cleaned and the filling fluid is standard silicone oil.

Not for use with oxygen or chlorine presence.

NACE specification :

Metallic materials for all pressure boundary parts comply with NACE MR 0175/ISO 15156.

SS 660 or SS 660/660 bolts and nuts comply with NACE MR 0175/ISO 15156.

Optional tag plate :

An extra stainless steel tag with customer tag data is wired to the transmitter.

Vacuum service :

Special silicone / fluorinated oil and filling procedure are applied. See Fig.1 and Fig.2 below

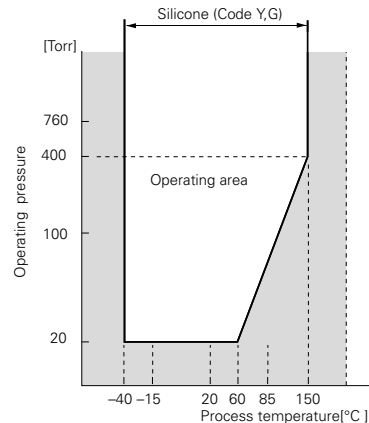


Fig.1
Relation between process temperature and operating pressure (silicone oil)

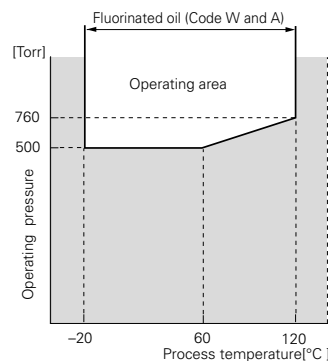


Fig.2
Relation between process temperature and operating pressure (fluorinated oil)

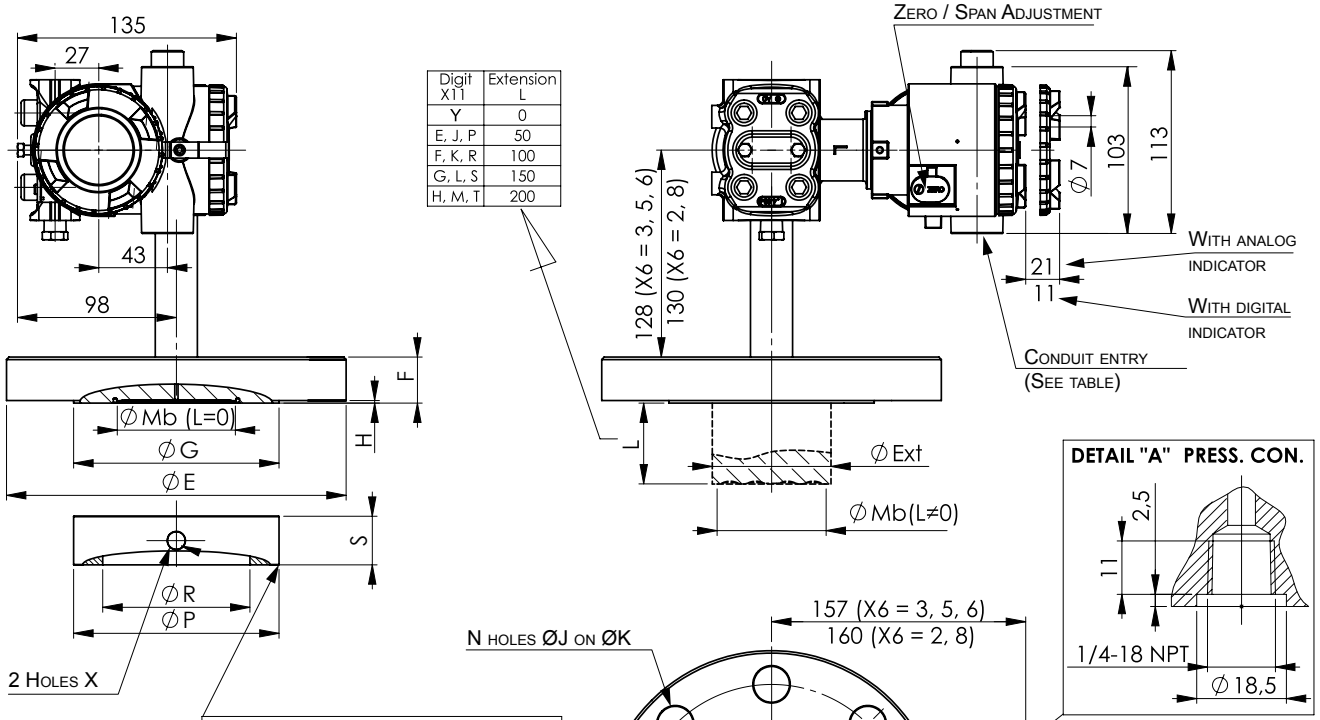
MODEL CODE SYMBOLS

DESCRIPTION																																																			
Type Level - Smart, 4-20 mA + HART/Fuji Electric communication protocols																																																			
Connections																																																			
<table border="1"> <thead> <tr> <th colspan="2">LP side connection</th> <th>Conduit connection</th> <th>Enclosure type</th> </tr> <tr> <th>Process</th> <th>Oval flange threading</th> <th></th> <th></th> </tr> </thead> <tbody> <tr> <td rowspan="2">1/4 - 18 NPT</td> <td>7/16 - 20 UNF</td> <td>M20 x 1.5 1/2 - 14 NPT</td> <td rowspan="2">"L" shape</td> </tr> <tr> <td>M10</td> <td>Pg13.5 M20 x 1.5</td> </tr> <tr> <td rowspan="2">Rc 1/4</td> <td>7/16 - 20 UNF</td> <td>Pg13.5</td> <td rowspan="2">"T" shape</td> </tr> <tr> <td>7/16 - 20 UNF</td> <td>G 1/2 1/2 - 14 NPT</td> </tr> <tr> <td rowspan="2">1/4 - 18 NPT</td> <td>M10</td> <td>Pg13.5</td> <td rowspan="2">"T" shape</td> </tr> <tr> <td>7/16 - 20 UNF</td> <td>M20 x 1.5 Pg13.5</td> </tr> </tbody> </table>																LP side connection		Conduit connection	Enclosure type	Process	Oval flange threading			1/4 - 18 NPT	7/16 - 20 UNF	M20 x 1.5 1/2 - 14 NPT	"L" shape	M10	Pg13.5 M20 x 1.5	Rc 1/4	7/16 - 20 UNF	Pg13.5	"T" shape	7/16 - 20 UNF	G 1/2 1/2 - 14 NPT	1/4 - 18 NPT	M10	Pg13.5	"T" shape	7/16 - 20 UNF	M20 x 1.5 Pg13.5										
LP side connection		Conduit connection	Enclosure type																																																
Process	Oval flange threading																																																		
1/4 - 18 NPT	7/16 - 20 UNF	M20 x 1.5 1/2 - 14 NPT	"L" shape																																																
	M10	Pg13.5 M20 x 1.5																																																	
Rc 1/4	7/16 - 20 UNF	Pg13.5	"T" shape																																																
	7/16 - 20 UNF	G 1/2 1/2 - 14 NPT																																																	
1/4 - 18 NPT	M10	Pg13.5	"T" shape																																																
	7/16 - 20 UNF	M20 x 1.5 Pg13.5																																																	
Mounting flange																																																			
<table border="1"> <thead> <tr> <th>Material</th> <th>Size and rating</th> <th>Type</th> </tr> </thead> <tbody> <tr> <td rowspan="6">SS 316 L</td> <td>ANSI - 150 lbs 3" - ISO PN20 DN80</td> <td rowspan="3">Long design (in line)</td> </tr> <tr> <td>ANSI - 150 lbs 4" - ISO PN20 DN100</td> </tr> <tr> <td>DIN PN40 DN80</td> </tr> <tr> <td>DIN PN16 DN100</td> <td rowspan="3">Short design (90°)</td> </tr> <tr> <td>ANSI - 150 lbs 3" - ISO PN20 DN80</td> </tr> <tr> <td>ANSI - 150 lbs 4" - ISO PN20 DN100</td> </tr> <tr> <td></td> <td>DIN PN40 DN80</td> </tr> <tr> <td></td> <td>DIN PN16 DN100</td> </tr> </tbody> </table>																Material	Size and rating	Type	SS 316 L	ANSI - 150 lbs 3" - ISO PN20 DN80	Long design (in line)	ANSI - 150 lbs 4" - ISO PN20 DN100	DIN PN40 DN80	DIN PN16 DN100	Short design (90°)	ANSI - 150 lbs 3" - ISO PN20 DN80	ANSI - 150 lbs 4" - ISO PN20 DN100		DIN PN40 DN80		DIN PN16 DN100																				
Material	Size and rating	Type																																																	
SS 316 L	ANSI - 150 lbs 3" - ISO PN20 DN80	Long design (in line)																																																	
	ANSI - 150 lbs 4" - ISO PN20 DN100																																																		
	DIN PN40 DN80																																																		
	DIN PN16 DN100	Short design (90°)																																																	
	ANSI - 150 lbs 3" - ISO PN20 DN80																																																		
	ANSI - 150 lbs 4" - ISO PN20 DN100																																																		
	DIN PN40 DN80																																																		
	DIN PN16 DN100																																																		
<table border="1"> <thead> <tr> <th colspan="2">Measuring range (mmWC)</th> </tr> </thead> <tbody> <tr> <td>10</td> <td>600</td> </tr> <tr> <td>32</td> <td>3200</td> </tr> <tr> <td>130</td> <td>13000</td> </tr> <tr> <td>500</td> <td>50000</td> </tr> <tr> <td>3000</td> <td>300000</td> </tr> </tbody> </table>																Measuring range (mmWC)		10	600	32	3200	130	13000	500	50000	3000	300000																								
Measuring range (mmWC)																																																			
10	600																																																		
32	3200																																																		
130	13000																																																		
500	50000																																																		
3000	300000																																																		
Materials																																																			
<table border="1"> <thead> <tr> <th rowspan="2">Process cover</th> <th colspan="2">LP side</th> <th rowspan="2">Wetted sensor body</th> <th>HP side</th> </tr> <tr> <th>Diaphragm</th> <th></th> <th>Diaphragm and flange face</th> </tr> </thead> <tbody> <tr> <td rowspan="6">SS 316L</td> <td>SS 316L</td> <td rowspan="6">SS 316L</td> <td rowspan="6">SS 316L</td> <td>SS 316L</td> </tr> <tr> <td>Hastelloy-C</td> <td>Hastelloy-C</td> </tr> <tr> <td></td> <td>Monel</td> </tr> <tr> <td></td> <td>Tantalum</td> </tr> <tr> <td></td> <td>SS 316L + PFA lining</td> </tr> <tr> <td></td> <td>SS 316L + gold coating</td> </tr> <tr> <td></td> <td></td> <td>Titanium</td> <td>Zirconium</td> </tr> </tbody> </table>																Process cover	LP side		Wetted sensor body	HP side	Diaphragm		Diaphragm and flange face	SS 316L	SS 316L	SS 316L	SS 316L	SS 316L	Hastelloy-C	Hastelloy-C		Monel		Tantalum		SS 316L + PFA lining		SS 316L + gold coating			Titanium	Zirconium									
Process cover	LP side		Wetted sensor body	HP side																																															
	Diaphragm			Diaphragm and flange face																																															
SS 316L	SS 316L	SS 316L	SS 316L	SS 316L																																															
	Hastelloy-C			Hastelloy-C																																															
				Monel																																															
				Tantalum																																															
				SS 316L + PFA lining																																															
				SS 316L + gold coating																																															
		Titanium	Zirconium																																																
Indicator																																																			
<table border="1"> <thead> <tr> <th>Indicator</th> <th>Arrester</th> </tr> </thead> <tbody> <tr> <td>None</td> <td rowspan="4">None</td> </tr> <tr> <td>(*8) Analog, 0 to 100% linear scale</td> </tr> <tr> <td>(*8) Analog, custom scale</td> </tr> <tr> <td>(*8) Analog, double scale</td> </tr> <tr> <td>None</td> <td rowspan="5">Yes</td> </tr> <tr> <td>(*8) Analog, 0 to 100% linear scale</td> </tr> <tr> <td>(*8) Analog, custom scale</td> </tr> <tr> <td>(*8) Analog, double scale</td> </tr> <tr> <td>(*8) Digital, 0 to 100%</td> </tr> <tr> <td>Digital, custom scale</td> <td rowspan="2">None</td> </tr> <tr> <td>Digital, 0 to 100%</td> </tr> <tr> <td>Digital, custom scale</td> <td rowspan="2">Yes</td> </tr> <tr> <td>Digital, 0 to 100% with push button</td> </tr> <tr> <td>Digital, custom scale with push button</td> <td rowspan="2">None</td> </tr> <tr> <td>Digital, 0 to 100% with push button</td> </tr> <tr> <td>Digital, custom scale with push button</td> <td rowspan="2">Yes</td> </tr> <tr> <td>Digital, 0 to 100% with push button</td> </tr> </tbody> </table>																Indicator	Arrester	None	None	(*8) Analog, 0 to 100% linear scale	(*8) Analog, custom scale	(*8) Analog, double scale	None	Yes	(*8) Analog, 0 to 100% linear scale	(*8) Analog, custom scale	(*8) Analog, double scale	(*8) Digital, 0 to 100%	Digital, custom scale	None	Digital, 0 to 100%	Digital, custom scale	Yes	Digital, 0 to 100% with push button	Digital, custom scale with push button	None	Digital, 0 to 100% with push button	Digital, custom scale with push button	Yes	Digital, 0 to 100% with push button											
Indicator	Arrester																																																		
None	None																																																		
(*8) Analog, 0 to 100% linear scale																																																			
(*8) Analog, custom scale																																																			
(*8) Analog, double scale																																																			
None	Yes																																																		
(*8) Analog, 0 to 100% linear scale																																																			
(*8) Analog, custom scale																																																			
(*8) Analog, double scale																																																			
(*8) Digital, 0 to 100%																																																			
Digital, custom scale	None																																																		
Digital, 0 to 100%																																																			
Digital, custom scale	Yes																																																		
Digital, 0 to 100% with push button																																																			
Digital, custom scale with push button	None																																																		
Digital, 0 to 100% with push button																																																			
Digital, custom scale with push button	Yes																																																		
Digital, 0 to 100% with push button																																																			
Hazardous location approvals																																																			
<table border="1"> <tbody> <tr><td>None</td></tr> <tr><td>(*6) ATEX - Flameproof</td></tr> <tr><td>ATEX - Intrinsic Safety</td></tr> <tr><td>ATEX - Increased Safety</td></tr> <tr><td>(*6) ATEX - Combination Flameproof and Intrinsic Safety</td></tr> <tr><td>(*6) cCSAus - Explosion proof</td></tr> <tr><td>cCSAus - Intrinsic Safety and Non Incendive</td></tr> <tr><td>(*6) cCSAus -Combination Explosion proof, Intrinsic Safety and Non Incendive</td></tr> <tr><td>(*6) IECEx - Flameproof</td></tr> <tr><td>IECEx - Intrinsic Safety</td></tr> <tr><td>IECEx - Increased Safety</td></tr> <tr><td>(*6) IECEx - Combination Flameproof and Intrinsic Safety</td></tr> <tr><td>(*6) IECEx - ATEX - cCSAus - Explosion/flameproof, Intrinsic Safety and Non Incendive</td></tr> </tbody> </table>																None	(*6) ATEX - Flameproof	ATEX - Intrinsic Safety	ATEX - Increased Safety	(*6) ATEX - Combination Flameproof and Intrinsic Safety	(*6) cCSAus - Explosion proof	cCSAus - Intrinsic Safety and Non Incendive	(*6) cCSAus -Combination Explosion proof, Intrinsic Safety and Non Incendive	(*6) IECEx - Flameproof	IECEx - Intrinsic Safety	IECEx - Increased Safety	(*6) IECEx - Combination Flameproof and Intrinsic Safety	(*6) IECEx - ATEX - cCSAus - Explosion/flameproof, Intrinsic Safety and Non Incendive																							
None																																																			
(*6) ATEX - Flameproof																																																			
ATEX - Intrinsic Safety																																																			
ATEX - Increased Safety																																																			
(*6) ATEX - Combination Flameproof and Intrinsic Safety																																																			
(*6) cCSAus - Explosion proof																																																			
cCSAus - Intrinsic Safety and Non Incendive																																																			
(*6) cCSAus -Combination Explosion proof, Intrinsic Safety and Non Incendive																																																			
(*6) IECEx - Flameproof																																																			
IECEx - Intrinsic Safety																																																			
IECEx - Increased Safety																																																			
(*6) IECEx - Combination Flameproof and Intrinsic Safety																																																			
(*6) IECEx - ATEX - cCSAus - Explosion/flameproof, Intrinsic Safety and Non Incendive																																																			
Diaphragm extension																																																			
<table border="1"> <thead> <tr> <th>Extension (mm)</th> <th>Applicable materials</th> </tr> </thead> <tbody> <tr><td>0</td><td>All</td></tr> <tr><td>50</td><td></td></tr> <tr><td>100</td><td>"V"</td></tr> <tr><td>150</td><td></td></tr> <tr><td>200</td><td></td></tr> <tr><td>50</td><td>"H"</td></tr> <tr><td>100</td><td></td></tr> <tr><td>150</td><td></td></tr> <tr><td>200</td><td></td></tr> <tr><td>50</td><td>"M"</td></tr> <tr><td>100</td><td></td></tr> <tr><td>150</td><td></td></tr> <tr><td>200</td><td></td></tr> <tr><td>50</td><td>"T"</td></tr> <tr><td>100</td><td></td></tr> <tr><td>150</td><td></td></tr> <tr><td>200</td><td></td></tr> </tbody> </table>																Extension (mm)	Applicable materials	0	All	50		100	"V"	150		200		50	"H"	100		150		200		50	"M"	100		150		200		50	"T"	100		150		200	
Extension (mm)	Applicable materials																																																		
0	All																																																		
50																																																			
100	"V"																																																		
150																																																			
200																																																			
50	"H"																																																		
100																																																			
150																																																			
200																																																			
50	"M"																																																		
100																																																			
150																																																			
200																																																			
50	"T"																																																		
100																																																			
150																																																			
200																																																			
Stainless steel parts																																																			
<table border="1"> <thead> <tr> <th>Tag plate</th> <th>Housing</th> </tr> </thead> <tbody> <tr><td>None</td><td>None</td></tr> <tr><td>Yes</td><td></td></tr> <tr><td>(*9) None</td><td>Yes</td></tr> <tr><td>(*9) Yes</td><td></td></tr> </tbody> </table>																Tag plate	Housing	None	None	Yes		(*9) None	Yes	(*9) Yes																											
Tag plate	Housing																																																		
None	None																																																		
Yes																																																			
(*9) None	Yes																																																		
(*9) Yes																																																			
Special applications and filling fluids																																																			
<table border="1"> <thead> <tr> <th>Treatment</th> <th>Filling fluids</th> </tr> </thead> <tbody> <tr><td></td><td>Silicone oil</td></tr> <tr><td>None (standard)</td><td>Fluorinated oil</td></tr> <tr><td></td><td>Alimentary oil</td></tr> <tr><td>Degreasing</td><td>Silicone oil</td></tr> <tr><td>Oxygen service</td><td>Fluorinated oil, cell and seal (only material code "V")</td></tr> <tr><td>Chlorine service</td><td>Fluorinated oil (only material codes "H" & "T")</td></tr> <tr><td>(*5) NACE</td><td>Silicone oil</td></tr> <tr><td>Vacuum service</td><td></td></tr> </tbody> </table>																Treatment	Filling fluids		Silicone oil	None (standard)	Fluorinated oil		Alimentary oil	Degreasing	Silicone oil	Oxygen service	Fluorinated oil, cell and seal (only material code "V")	Chlorine service	Fluorinated oil (only material codes "H" & "T")	(*5) NACE	Silicone oil	Vacuum service																			
Treatment	Filling fluids																																																		
	Silicone oil																																																		
None (standard)	Fluorinated oil																																																		
	Alimentary oil																																																		
Degreasing	Silicone oil																																																		
Oxygen service	Fluorinated oil, cell and seal (only material code "V")																																																		
Chlorine service	Fluorinated oil (only material codes "H" & "T")																																																		
(*5) NACE	Silicone oil																																																		
Vacuum service																																																			
Process cover gasket																																																			
<table border="1"> <tbody> <tr><td>Viton</td></tr> <tr><td>Square section PTFE with SS flange</td></tr> </tbody> </table>																Viton	Square section PTFE with SS flange																																		
Viton																																																			
Square section PTFE with SS flange																																																			
Bolts/nuts materials																																																			
<table border="1"> <tbody> <tr><td>Cr-Mo (standard)</td></tr> <tr><td>SS 316L / SS 316L (bolts/nuts)</td></tr> <tr><td>(*5) SS 660 / SS 660 (bolts/nuts)</td></tr> </tbody> </table>																Cr-Mo (standard)	SS 316L / SS 316L (bolts/nuts)	(*5) SS 660 / SS 660 (bolts/nuts)																																	
Cr-Mo (standard)																																																			
SS 316L / SS 316L (bolts/nuts)																																																			
(*5) SS 660 / SS 660 (bolts/nuts)																																																			
Special options																																																			
<table border="1"> <tbody> <tr><td>(*4) Special, no code available</td></tr> </tbody> </table>																(*4) Special, no code available																																			
(*4) Special, no code available																																																			

Notes :

- Turn down ration of 100 is possible but span greater than 1/40 of the the URL is recommended for better performances.
- For DN50 PN40 or 2" seal, specific diaphragm materials: please consult Fuji Electric
- All wetted parts in the same material (diaphragm, extension and seal land surface)
- When no code can be found in the current model code, place "" in the corresponding digit code as well as in the 16th digit.
- SS 660 bolts/nuts are in conformity with NACE MR0175/ISO 15156
- Only with digit 4 = "R", "T", "W", "6", "8"
- Please consult Fuji Electric regarding process conditions
- Except digit 10 = "P", "Q"
- SS 316L enclosure not available for "T" shape version

OUTLINE DIAGRAM FOR SHORT DESIGN (unit : mm)



Digit X11	Extension L
Y	0
E, J, P	50
F, K, R	100
G, L, S	150
H, M, T	200

FLUSHING RINGS DIMENSIONS					
EN 1092-1	EN 1759-1	HOLES X	ØP	ØR	S
DN 80		1/4-18 NPT	138	91	30
DN 80		1/2-14 NPT	138	91	30
	NPS 3"	1/4-18 NPT	127	91	30
	NPS 3"	1/2-14 NPT	127	91	30
DN 100		1/4-18 NPT	162	116	30
DN 100		1/2-14 NPT	162	116	30
	NPS 4"	1/4-18 NPT	157	116	30
	NPS 4"	1/2-14 NPT	157	116	30

Code X=4	CONDUIT ENTRY		OVAL FLANGE SCREW
	D	E	G
R	M20x1.5	16	7/16-20 UNF
T	1/2-14NPT	16	7/16-20 UNF
V	Pg13.5	10,5	M10
W	M20x1.5	16	M10
X	Pg13.5	10,5	7/16-20 UNF

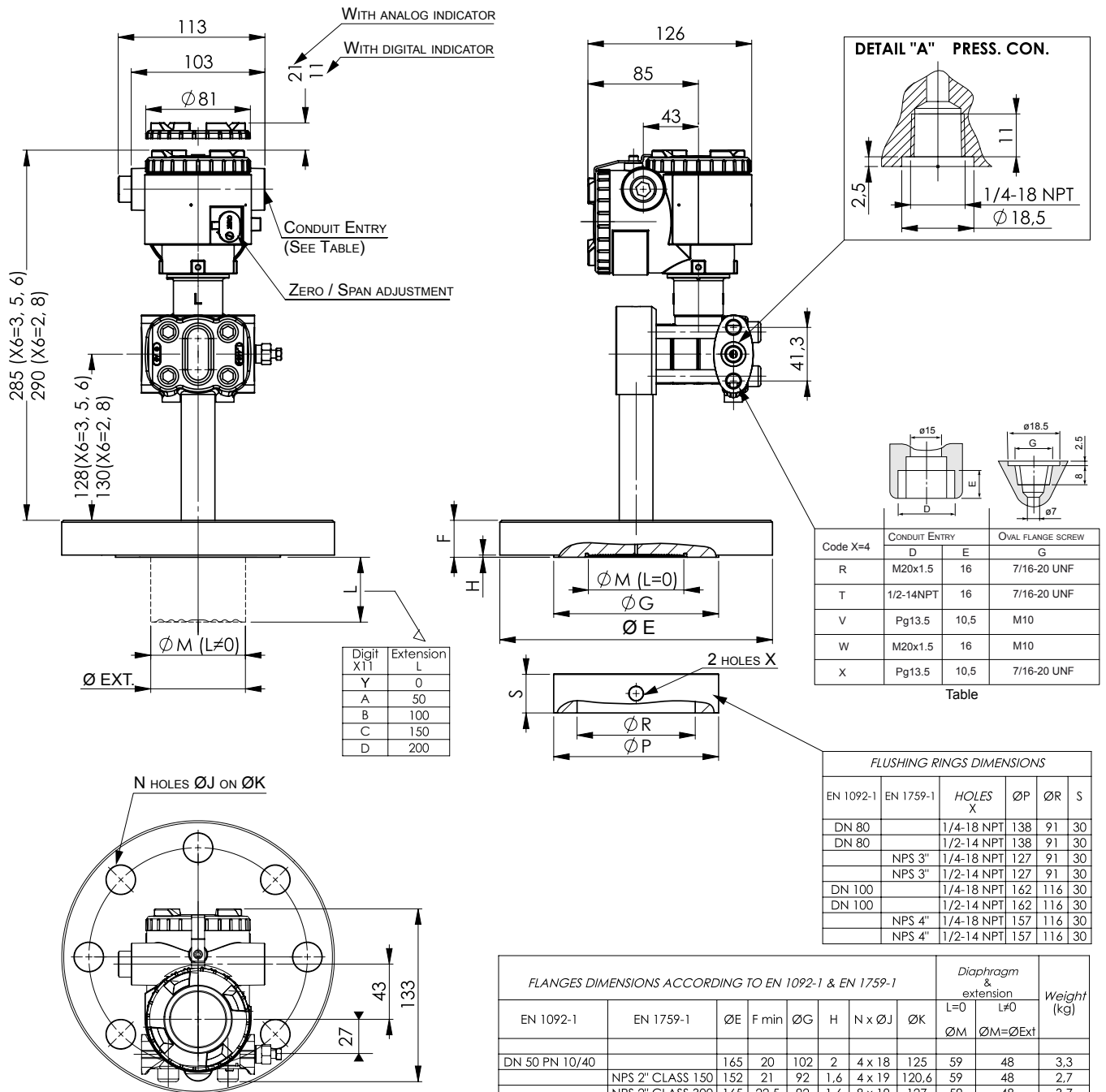
Table

FLANGES DIMENSIONS ACCORDING TO EN 1092-1 & EN 1759-1										Diaphragm & extension		
EN 1092-1	EN 1759-1	ØE	F min	ØG	H	N x ØJ	ØK	Weight (kg)	L=0 (X11=Y) ØMb	L≠0 ØExt(ØMb)	Exotic material	
DN50 PN40		165	20	102	2	4 x 18	125	3,3	59	48,3 (47)		
	2" CLASS 150	152	21	92	1,6	4 x 19	120,6	2,7	59	48,3 (47)		
	2" CLASS 300	165	22,5	92	1,6	8 x 19	127	3,7	59	48,3 (47)		
DN80 PN40		200	24	138	2	8 x 18	160	5,8	89	76 (72)		
	3" CLASS 150	190	24	127	1,6	4 x 19	152,4	5,3	89	76 (72)		
	3" CLASS 300	210	28,5	127	1,6	8 x 22,2	168,3	7,8	89	76 (72)		
DN100 PN16		220	22	158	2	8 x 18	180	5,9	89	94 (89)		
	4" CLASS 150	229	24	157	1,6	8 x 19	190,5	7,7	89	94 (89)		
	4" CLASS 300	254	32	157	1,6	8 x 22,2	200	12,7	89	94 (89)		

WEIGHT : - 10.2 TO 19.2 KG (WITHOUT OPTION)
 ADD : - 1 KG PER 50 MM OF EXTENSION
 - 0.3 KG FOR INDICATOR (OPTION)
 - 2 KG FOR SS MOUNTING BRACKET (OPTION)

X ₁ X ₂ X ₃ X ₄ X ₅ X ₆ X ₇ X ₈ -X ₉ X ₁₀ X ₁₁ X ₁₂ X ₁₃ -X ₁₄ X ₁₅															SPAN LIMIT		
F K E □ □ □ □ F - □ □ □ □ □ - □ □															Min.	Max.	
X ₇ = H, M, T, P, R															FKE□□2	0,1 KPa (1 mbar)	6 KPa (60 mbar)
X ₁₁ = Y, E, F, G, H, J, K, L, M, P, R, S, T															FKE□□3	0,32 KPa (3,2 mbar)	32 KPa (320 mbar)
															FKE□□6	1,3 KPa (13 mbar)	130 KPa (1,3 bar)
															FKE□□5	5 KPa (50 mbar)	500 KPa (5 bar)
															FKE□□8	30 KPa (300 mbar)	3 MPa (30 bar)

OUTLINE DIAGRAM FOR LONG DESIGN (unit : mm)



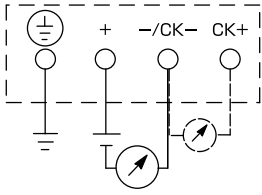
WEIGHT : - 10.2 TO 19.2 KG (WITHOUT OPTION)
ADD : - 1 KG PER 50 MM OF EXTENSION
- 0.3 KG FOR INDICATOR (OPTION)
- 2 KG FOR SS MOUNTING BRACKET (OPTION)

FLANGES DIMENSIONS ACCORDING TO EN 1092-1 & EN 1759-1								Diaphragm & extension		Weight (kg)
EN 1092-1	EN 1759-1	ØE	F min	ØG	H	N x ØJ	ØK	L=0 ØM	L≠0 ØM=ØExt	
DN 50 PN 10/40		165	20	102	2	4 x 18	125	59	48	3.3
	NPS 2" CLASS 150	152	21	92	1.6	4 x 19	120.6	59	48	2.7
	NPS 2" CLASS 300	165	22.5	92	1.6	8 x 19	127	59	48	3.7
DN 80 PN 40		200	24	138	2	8 x 18	160	73	73	5.8
	NPS 3" CLASS 150	190	24	127	1.6	4 x 19	152.4	73	73	5.3
	NPS 3" CLASS 300	210	28.5	127	1.6	8 x 22.2	168.3	73	73	7.8
DN 100 PN 16		220	22	158	2	8 x 18	180	96	96	5.9
	NPS 4" CLASS 150	229	24	157	1.6	8 x 19	190.5	96	96	7.7
	NPS 4" CLASS 300	254	32	157	1.6	8 x 22.2	200	96	96	12.7

X ₁ X ₂ X ₃ X ₄ X ₅ X ₆ X ₇ X ₈ -X ₉ X ₁₀ X ₁₁ X ₁₂ X ₁₃ -X ₁₄ X ₁₅ F K E □ □ □ □ F - □ □ □ □ □ - □ □	SPAN LIMIT	
	Min.	Max.
FKE□□2	0,1 KPa (1 mbar)	6 KPa (60 mbar)
FKE□□3	0,32 KPa (3,2 mbar)	32 KPa (320 mbar)
FKE□□5	1,3 KPa (13 mbar)	130 KPa (1,3 bar)
FKE□□6	5 KPa (50 mbar)	500 KPa (5 bar)
FKE□□8	30 KPa (300 mbar)	3 MPa (30 bar)

X7 = V, W, A, B
X11 = Y, A, B, C, D

CONNECTION DIAGRAM



ELECTROMAGNETIC COMPATIBILITY

All FCX-All series of pressure transmitters are in conformity with the provision of the EMC Directive 2014/30/EU on the harmonization of the laws of the Members States relating to electromagnetic compatibility.

All these models of pressure transmitters are in accordance with the following harmonized standards :

- **EN 61326-1** (*Electrical equipment for measurement, control and laboratory use - EMC requirements - Part 1: General requirements*).
- **EN 61326-2-3** (*Particular requirements - Test configuration, operational conditions and performance criteria for transducers with integrated or remote signal conditioning*).

Emission limits (according to EN 55011 / CISPR 11, Group 1 Class A)

Frequency range (MHz)	Limits	Basic standard
30 to 230	40 dB (µV/m) quasi peak, measured at 10 m distance	Passed
230 to 1000	47 dB (µV/m) quasi peak, measured at 10 m distance	

Immunity

Phenomenon	Test value	Standard	Required Performance criteria	Result of criteria
Electrostatic Discharge	±4 kV (Contact) ±8 kV (Air)	EN/IEC 61000-4-2	B	A
Radiated, Electromagnetic Field	10 V/m (0.08 to 1.0 GHz) 3 V/m (1.4 to 2.0 GHz) 1 V/m (2.0 to 2.7 GHz)	EN/IEC 61000-4-3	A	A
Fast transients (burst)	2 kV (5/50 ns, 5 kHz)	EN/IEC 61000-4-4	B	A
Surge Transients	1 kV Line to line 2 kV Line to ground	EN/IEC 61000-4-5	B	A
Conducted RF Disturbances	3 Vrms (150 kHz to 80 MHz) 80% AM @ 1 kHz	EN/IEC 61000-4-6	A	A
Power Frequency Magnetic Field	30 A/m (50 Hz, 60 Hz)	EN/IEC 61000-4-8	A	A

Performance criteria (A & B): according to IEC 61326



Fuji Electric France S.A.S.

46 rue Georges Besse - ZI du brézet - 63039 Clermont ferrand

Tél : 04 73 98 26 98 - Fax : 04 73 98 26 99

Mail : sales.dpt@fujielectric.fr - web : www.fujielectric.fr

Fuji Electric can accept no responsibility for possible errors in catalogues, brochures and other printed material. Fuji Electric reserves the right to alter its products without notice. This also applies to products already on order provided that such alterations can be made without subsequential changes being necessary in specifications already agreed. All trademarks in this material are property of the respective companies. All rights reserved.