

# Switch-Pro™

## Remote Level Controller LC90, LC91 & LC92 Series Manual



Flowline Inc.  
10500 Humbolt Street  
Los Alamitos, CA 90720  
Tel: (562) 598-3015  
Fax: (562) 431-8507  
[www.flowline.com](http://www.flowline.com)

The LC90, LC91 & LC92 Series Controllers are isolation level controllers designed for use with intrinsically safe devices. The controller family is offered in three configurations for pump and valve control. The LC90 Series features a single 10A SPDT relay output and can accept one level sensor as an input. The LC91 Series features a single 10A SPDT latching relay output and can accept one or two level sensor(s) as an input. This package is ideal for the automatic filling or emptying of a tank. The LC92 Series features both a single 10A SPDT and a single 10A Latching SPDT relay. This package allows for a three-input system that can perform an automatic operations (fill or empty) and an alarm operation (high or low). The LC92 series can also be a two-input controller that can perform dual alarms (2-high, 2-low or 1-high, 1-low). Package either controller series with level switch sensors and fittings.

### Features

- Fail-Safe relay control of pumps, valves or alarms with a 0.15 to 60 second delay
- Polypropylene enclosure can be DIN rail mounted or back panel mounted.
- Easy setup with LED indicators for sensor(s), power and relay status.
- Invert switch changes relay state from NO to NC without rewiring.
- AC powered

### Table of Contents

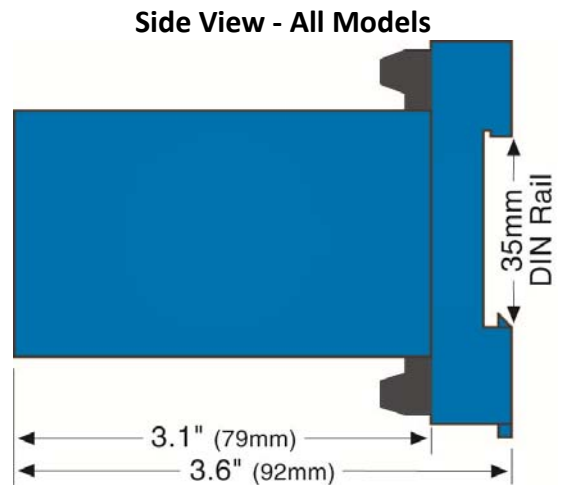
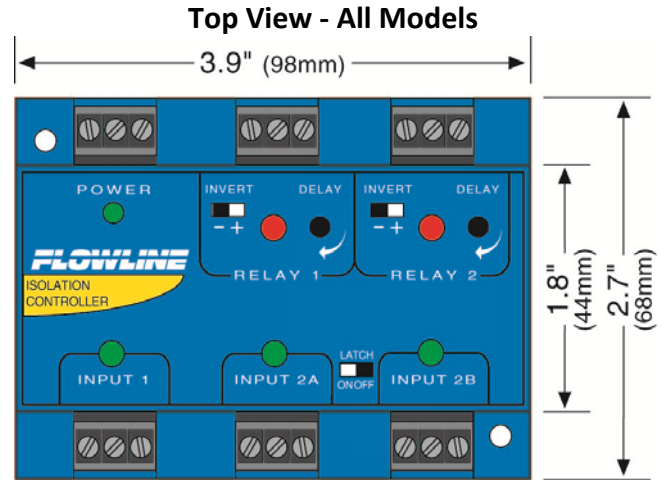
|   |    |
|---|----|
| Specifications: .....   | 3  |
| Dimensions:.....  | 3  |
| Control Diagram:.....   | 4  |
| Safety Precautions: .....                                     | 5  |
| Make a Fail-Safe System: .....                                | 6  |
| Components:.....  | 6  |
| Getting Started:.....   | 7  |
| Features of the Single Input High or Low Alarm Relay: .....   | 7  |
| Features of the Dual Input Automation Fill/Empty Relay: ..... | 8  |
| Guide to Controls:.....                                       | 9  |
| Installation .....  | 10 |
| Electrical.....   | 11 |
| Connecting Switches to Input Terminals: .....                 | 11 |
| VAC Power Input Wiring: .....                                 | 12 |
| Relay Input Wiring: .....                                     | 12 |
| Changing from 120 to 240 VAC.....                             | 12 |
| Application Exmaples.....                                     | 13 |
| Low Level Alarm:.....   | 13 |
| High Level Alarm: .....                                       | 13 |
| Automatic Fill: .....   | 14 |
| Automatic Empty: .....  | 14 |
| Appendix .....  | 15 |
| Controller Logic.....   | 15 |
| Relay Latching Logic Table (LC91 & LC92 Series only) .....    | 15 |
| Troubleshooting.....  | 15 |
| Warranty .....  | 16 |

Supply voltage: 120 / 240 VAC, 50 - 60 Hz.  
 Consumption: 5 Watts max.  
 Sensor inputs: (1) level switch  
*(LC91 Series only)* (1 or 2) level switches  
*(LC92 Series only)* (1, 2 or 3) level switches  
 Sensor supply: 13.5 VDC @ 30 mA per input  
 LED indication: Sensor, relay & power status  
 Contact type: (1) SPDT Relay  
*(LC91 Series only)* (1) SPDT Relay, Latched  
*(LC92 Series only)* (2) SPDT Relays, only 1 Latched  
 Contact rating: 250 VAC, 10A, ¼ Hp  
 Contact output: Selectable NO or NC  
 Contact delay: 0.15 to 60 seconds  
 Contact latch: Select On/Off – LC91 & LC92 only

Electronics temp.: F: -40°to 140°  
 C: -40°to 60°

Enclosure rating: 35mm DIN (EN 50 022)  
 Enclosure material: PP (U.L. 94 VO)  
 Approvals: CSA, LR 79326-4  
 Safety: Class I, Groups A, B, C & D;  
 Class II, Groups E, F & G;  
 Class III

Parameters: Voc = 17.47;  
 Isc = 0.4597A;  
 Ca = 0.494µF;  
 La = 0.119 mH



**LC90 series faceplate:** 1 sensor input, 1 relay output.

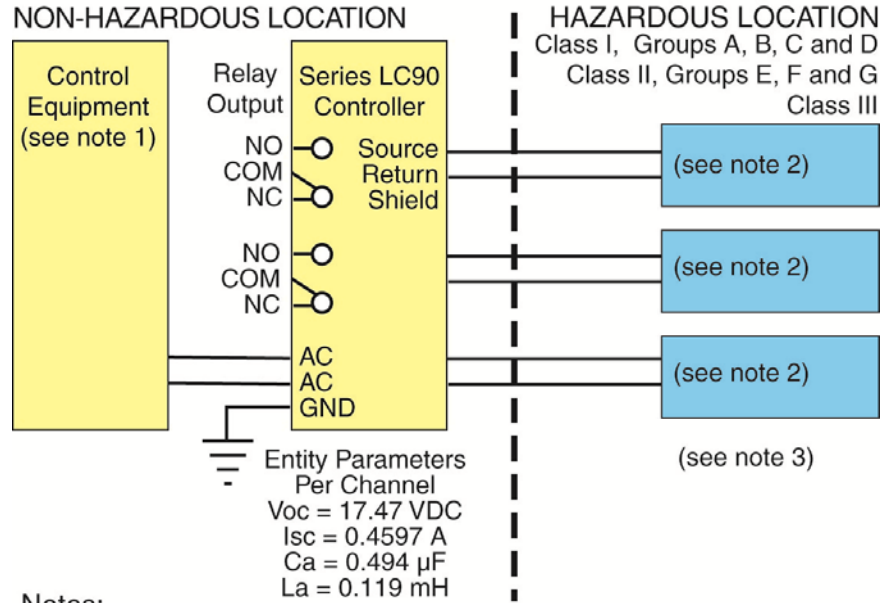


**LC91 series faceplate:** 2 sensor inputs, 1 relay output. The relay included is a latching relay.



**LC92 series faceplate:** 3 sensor input, 2 relay outputs. One relay is latching and the other is a single input relay.

Control Diagram:




Notes:

1. Control equipment connected to series LC90 controller must not use or generated more than 250V .
2. CSA certified equipment with entity parameters connected in accordance with manufactures instructions or switches, thermocouples, LEDs, or RTDs.
3. Separation must be maintained between wiring of separate channels.
4. Installation should be in accordance with CEC Part I or NFPA 70.

Controller Drawing: LCD1  
Rev A. 7-21-95

Control Label:



LR79326-4

C US

Associated Equipment / Appereillage  
[Exia] Connexe

Outputs suitable for use in Hazardous Locations:

Class I Groups A, B, C & D  
Class II Groups E, F & G  
Class III Volt/Ohm Parameters

Entity Parameters 17.5 V 40 Ohms  
Voc = 17.47VDC Ca = 0.494 uF  
Isc = 0.4597A La = 0.119 mH

Power Rating: 5.0 Watts max.  
See Instruction Manual for Installation

Info

Warning: substitution of components  
may impair Intrinsic Safety

Avertissement:  
la substitution de composants peut  
compromettre la Securite Intrinseque

Controller must be installed per drawing  
LCD1

- ⚠ About This Manual:** PLEASE READ THE ENTIRE MANUAL PRIOR TO INSTALLING OR USING THIS PRODUCT. This manual includes information on three different models of Remote Isolation Relay Controllers from FLOWLINE: LC90, LC91 and LC92 series. Many aspects of installation and use are similar between the three models. Where they differ, the manual will note it. Please refer to the part number on the controller you have purchased as you read.
- ⚠ User's Responsibility for Safety:** FLOWLINE manufactures several controller models, with different mounting and switching configurations. It is the user's responsibility to select a controller model that is appropriate for the application, install it properly, perform tests of the installed system, and maintain all components.
- ⚠ Special Precaution for Intrinsically Safe Installation:** DC powered sensors should not be used with explosive or flammable liquids unless powered by an intrinsically safe controller such as the LC90 series. "Intrinsically safe" means that the LC90 series controller has been specifically designed so that under normal conditions the sensor input terminals cannot transmit unsafe voltages that could cause sensor failure and spark an explosion in the presence of a specific atmospheric mixture of hazardous vapors. Only the sensor section of the LC90 is intrinsically safe. The controller itself cannot be mounted in a hazardous or explosive area, and the other circuit sections (AC power and relay output) are not designed to connect to hazardous areas.
- ⚠ Follow Intrinsically Safe Installation Procedures:** The LC90 must be installed in compliance with all local and national codes, following the latest National Electric Code (NEC) guidelines, by licensed personnel who have experience in intrinsically safe installations. For example, the sensor cable(s) must pass through a conduit vapor seal fitting in order to maintain the barrier between the hazardous and nonhazardous area. In addition, the sensor cable(s) may not travel through any conduit or junction box that is shared with non-intrinsically safe cables. For further details, consult the NEC.
- ⚠ Maintain the LC90 in Intrinsically Safe Condition:** Modification to the LC90 will void the warranty and may compromise the intrinsically safe design. Unauthorized parts or repairs will also void the warranty and the intrinsically safe condition of the LC90.

**⚠ IMPORTANT ⚠**

Do not connect any other devices (such as a data logger or other measurement device) to a sensor terminal, unless the measurement probe is rated intrinsically safe also. Improper installation, modification, or use of the LC90 in an installation requiring intrinsically safe equipment may cause property damage, bodily injury or death. FLOWLINE, Inc. will not be responsible for any liability claims due to improper installation, modification, repair or use of the LC90 by other parties.

- ⚠ **Electrical Shock Hazard:** It is possible to contact components on the controller that carry high voltage, causing serious injury or death. All power to the controller and the relay circuit(s) it controls should be turned OFF prior to working on the controller. If it is necessary to make adjustments during powered operation, use extreme caution and use only insulated tools. Making adjustments to powered controllers is not recommended. Wiring should be performed by qualified personnel in accordance with all applicable national, state and local electrical codes.
- ⚠ **Install In a Dry Location:** The controller housing is not designed to be immersed. When installed properly, it should be mounted in such a way that it does not normally come into contact with liquid. Refer to an industry reference to ensure that compounds that may splash onto the controller housing will not damage it. Such damage is not covered by the warranty.
- ⚠ **Relay Contact Rating:** The relay is rated for a 10 amp resistive load. Many loads (such as a motor during start-up or incandescent lights) are reactive and may have an inrush current characteristic that may be 10 to 20 times their steady-state load rating. The use of a contact protection circuit may be necessary for your installation if the 10 amp rating does not provide an ample margin for such inrush currents.
- ⚠ **Make a Fail-Safe System:** Design a fail-safe system that accommodates the possibility of relay or power failure. If power is cut off to the controller, it will de-energize the relay. Make sure that the de-energized state of the relay is the safe state in your process. For example, if controller power is lost, a pump filling a tank will turn off if it is connected to the Normally Open side of the relay.

While the internal relay is reliable, over the course of time relay failure is possible in two modes: under a heavy load the contacts may be “welded” or stuck into the energized position, or corrosion may build up on a contact so that it will not complete the circuit when it should. In critical applications, redundant backup systems and alarms must be used in addition to the primary system. Such backup systems should use different sensor technologies where possible.

While this manual offers some examples and suggestions to help explain the operation of FLOWLINE products, such examples are for information only and are not intended as a complete guide to installing any specific system.

#### Components:

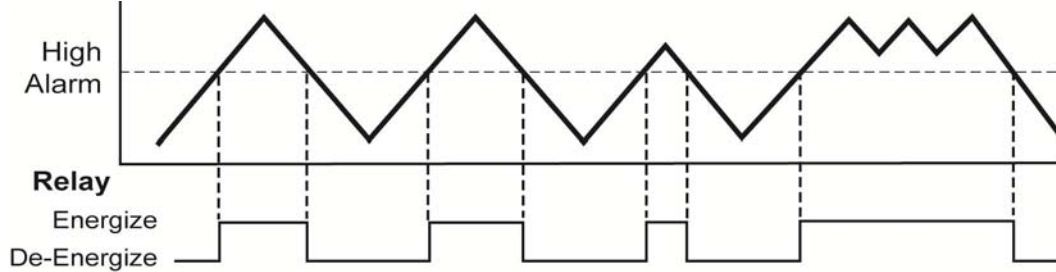
| Part Number | Power   | Inputs | Alarm Relays | Latching Relays |
|-------------|---------|--------|--------------|-----------------|
| LC90-1001   | 120 VAC | 1      | 1            | 0               |
| LC90-1001-E | 240 VAC |        |              |                 |
| LC91-1001   | 120 VAC | 2      | 0            | 1               |
| LC91-1001-E | 240 VAC |        |              |                 |
| LC92-1001   | 120 VAC | 3      | 1            | 1               |
| LC92-1001-E | 240 VAC |        |              |                 |

- Owner's Manual

**Features of a Single Input High or Low Relay:** Single Input Relays (LC90 series, LC91 series with latch turned OFF and LC92 series) are designed to receive a signal from a single liquid sensor. It turns its internal relay ON or OFF (as set by the invert switch) in response to the presence of liquid, and changes the relay status back again when the sensor is dry.

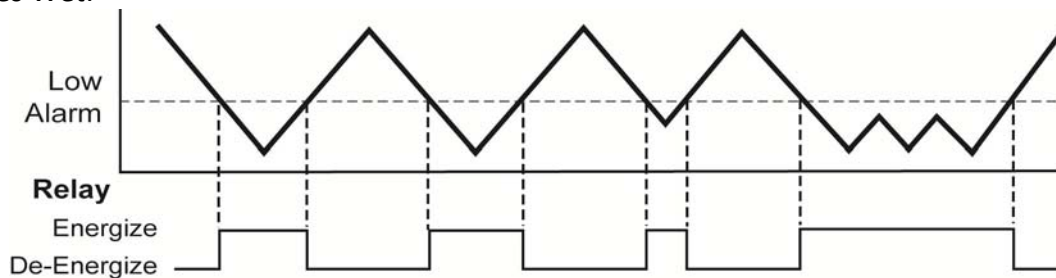
#### High Alarm:

Invert is OFF. Relay will energize when the switch becomes Wet and will de-energize when the switch becomes Dry (out of liquid).



#### Low Alarm:

Invert is ON. Relay will energize when the switch becomes Dry (out of liquid) and will de-energize when the switch becomes Wet.

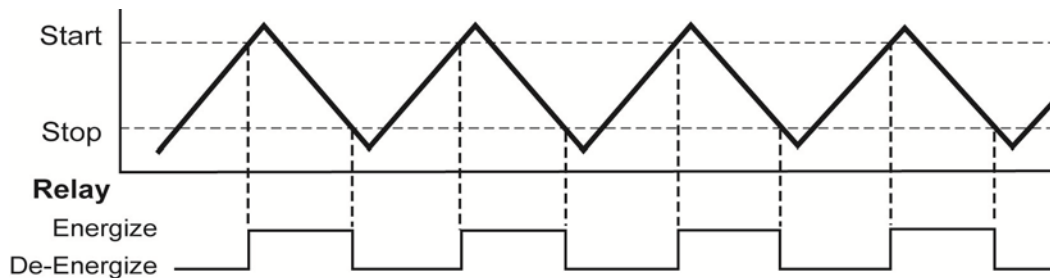


Single Input Relays may be used with almost any kind of sensor signal: current sensing or contact closure. The relay is a single pole, double throw type; the controlled device can be connected to either the normally open or normally closed side of the relay. A time delay from 0.15 to 60 seconds can be set before the relay responds to the sensor input. Typical applications for Single Input Relays are high level or low level switch/alarm operations (opening a drain valve whenever liquid level rises to a sensor point) and leak detection (sounding an alarm when a leak is detected, etc.).

**Features of a Dual Input Automatic Fill/Empty Relay:** The Dual Input Automatic Fill/Empty Relay (LC91 and LC92 series only) is designed to receive signals from two liquid sensors. It turns its internal relay ON or OFF (as set by the invert switch) in response to the presence of liquid on both sensors, and changes the relay status back again when both sensors are dry.

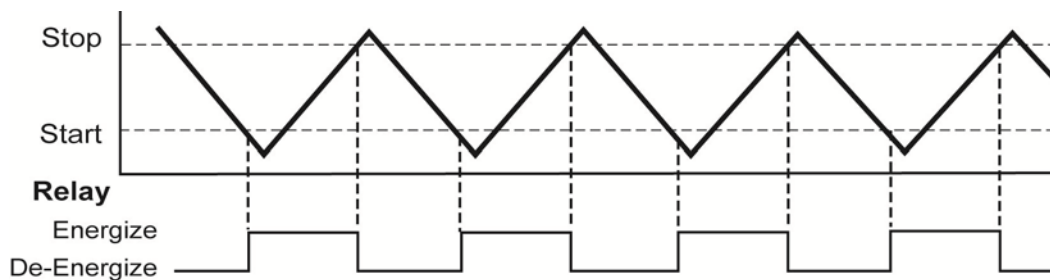
**Automatic Empty:**

Latch is ON & Invert is OFF. Relay will energize when level reaches high switch (both switches are wet). Relay will de-energize when level is below the bottom switch (both switches are dry).



**Automatic Empty:**

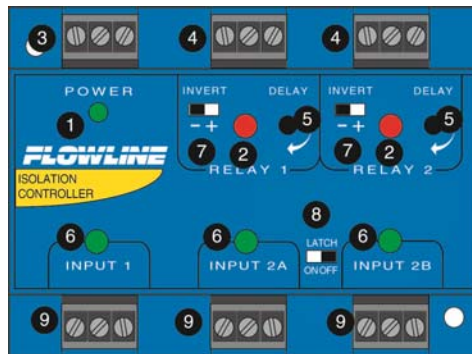
Latch is ON & Invert is ON. Relay will energize when level is below the bottom switch (both switches are dry). Relay will de-energize when level reaches high switch (both switches are wet).



The Dual Input Automatic Fill/Empty Relay may be used with almost any kind of sensor signal: current sensing or contact closure. The relay is a single pole, double throw type; the controlled device can be connected to either the normally open or normally closed side of the relay. A time delay from 0.15 to 60 seconds can be set before the relay responds to the sensor input. Typical applications for Dual Input Relays are automatic filling (starting fill pump at a low level and stopping pump at a high level) or automatic emptying operations (opening a drain valve at a high level and closing valve at low level).

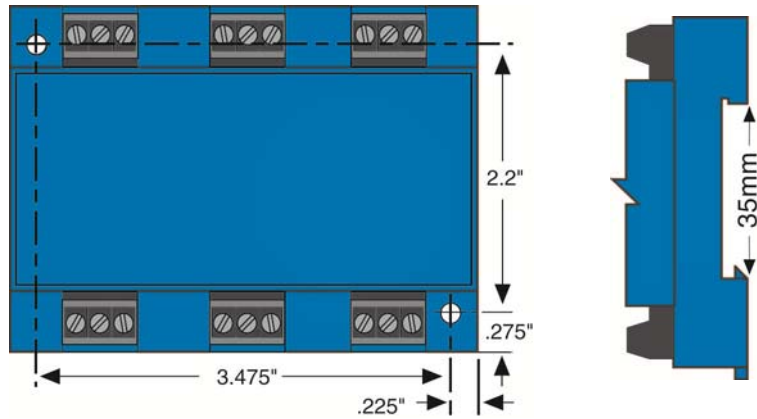


**Guide to Controls:** Below is a listing and the location of the different components for the controller:



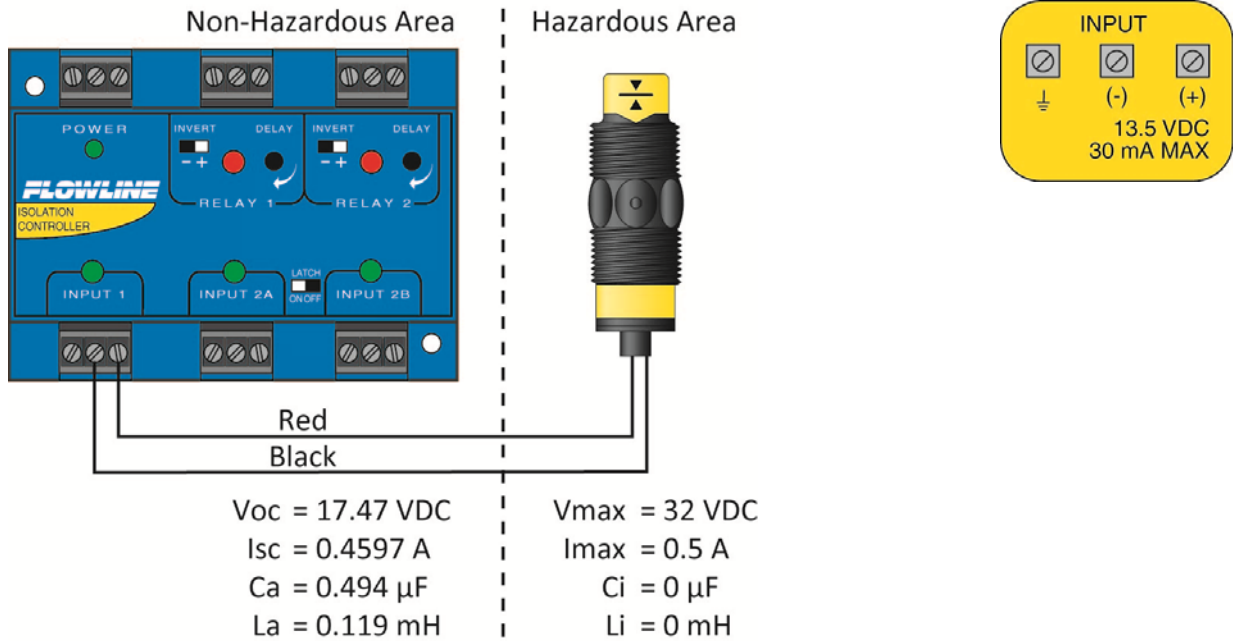
1. **Power indicator:** This green LED lights when AC power is ON.
2. **Relay indicator:** This red LED will light whenever the controller energizes the relay, in response to the proper condition at the sensor input(s) and after the time delay.
3. **AC Power terminals:** Connection of 120 VAC power to the controller. The setting may be changed to 240 VAC if desired. This requires changing internal jumpers; this is covered in the Installation section of the manual. Polarity (neutral and hot) does not matter.
4. **Relay terminals (NC, C, NO):** Connect the device you wish to control (pump, alarm etc.) to these terminals: supply to the COM terminal, and the device to the NO or NC terminal as required. The switched device should be a non-inductive load of not more than 10 amps; for reactive loads the current must be derated or protection circuits used. When the red LED is ON and the relay is in the energized state, the NO terminal will be closed and the NC terminal will be open.
5. **Time delay:** Use potentiometer to set delay from 0.15 to 60 seconds. Delay occurs during switch make and switch break.
6. **Input indicators:** Use these LEDs for indicating WET or DRY status of switch. When switch is WET, LED will be Amber. When switch is DRY, LED will either be Green for powered switches or OFF for reed switches.  
**Note:** Reed switches may be reversed for WET/OFF, DRY/Amber LED indication.
7. **Invert switch:** This switch reverses the logic of the relay control in response to the switch(es): conditions that used to energize the relay will now de-energize the relay and vice versa.
8. **Latch switch (LC91 and LC92 series only):** This switch determines how the relay will be energized in response to the two sensor inputs. When LATCH is OFF, the relay responds to sensor Input A only; when LATCH is ON, the relay will energize or de-energize only when both switches (A and B) are in the same condition (both wet or both dry). The relay will remain latched until both switches change conditions.
9. **Input terminals:** Connect the switch wires to these terminals: **Note the polarity:** (+) is a 13.5 VDC, 30 mA power supply (connected to the red wire of a FLOWLINE powered level switch), and (-) is the return path from the sensor (connected to the black wire of a FLOWLINE powered level switch). With powered level switches, if the wires are reversed, the sensor will not work. With reed switches, wire polarity does not matter.

**Panel DIN Rail Mounting:** The controller may be mounted by either a back panel using two screws through mounting holes located at the corners of the controller or by snapping the controller on 35 mm DIN Rail.

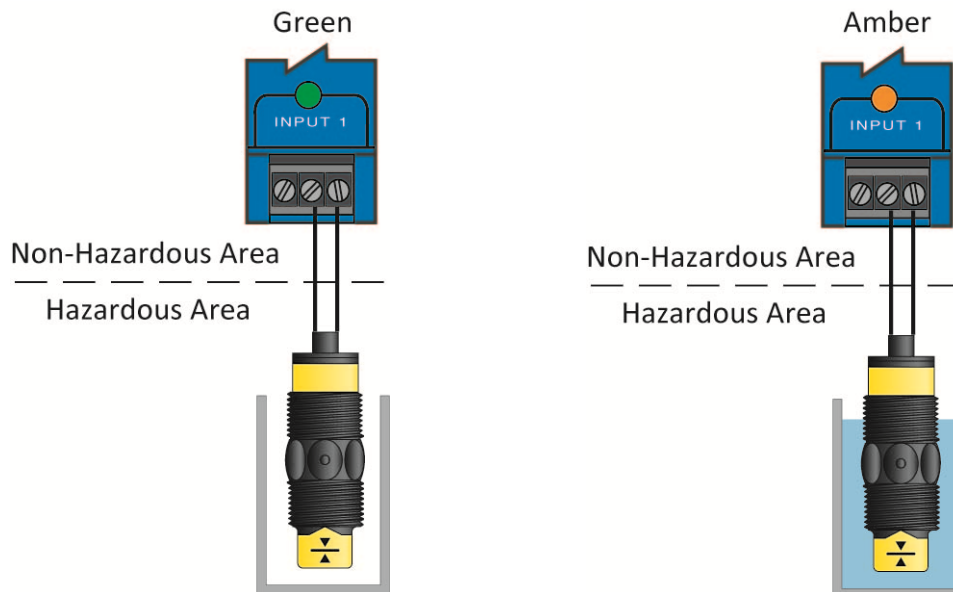


**Note:** Always install the controller in a location where it does not come into contact with liquid.

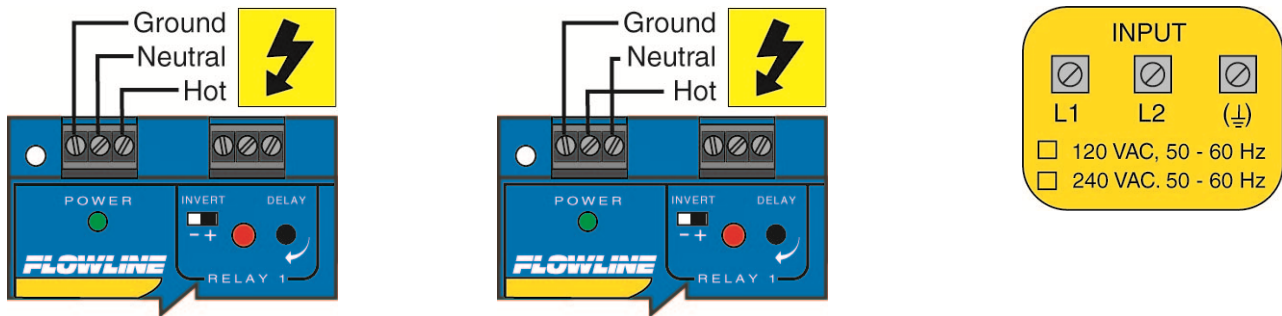
**Connecting switches to input terminals:** All FLOWLINE intrinsically safe level switches (such as the LU10 series) will be wired with the Red wire to the (+) terminal and the Black wire to the (-) terminal.



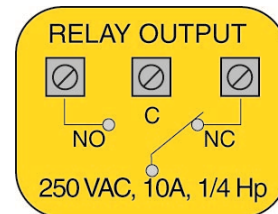
**LED Indication:** Use LED's located above the input terminals to indicate whether the switch is in a wet or dry state. With powered switches, Green indicates dry and Amber indicates wet. With reed switches, Amber indicates wet and no LED indicates dry. **Note:** reed switches may be wired in reverse so that Amber indicates a dry state and no LED indicates a wet state.



**VAC Power Input Wiring:** Observe the POWER SUPPLY label on the LC90 series. The label identifies the power requirement (120 or 240 VAC) and the terminal wiring. **Note:** Polarity does not matter with the AC input terminal.

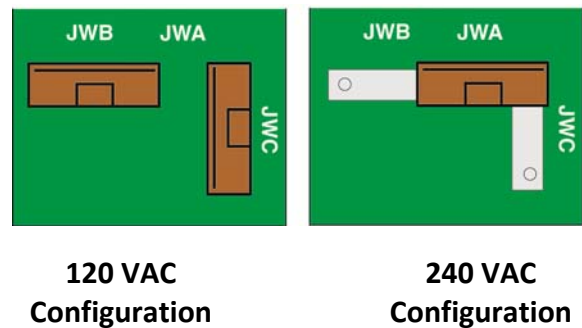


**Relay Input Wiring:** The relay is a single pole, double throw type rated at 250 Volts AC, 10 Amps, 1/4 Hp. The two terminal NO and NC (normally open and normally closed) will be used in different applications. Remember that the "normal" state is when the relay coil is de-energized and the Red relay LED is Off / de-energized.



#### Changing from 120 to 240 VAC:

1. Remove the back panel of the controller and gently slide the printed circuit board from the housing. Use caution when removing the PCB.
2. Located jumpers JWA, JWB and JWC on the PCB.
3. To change to 240 VAC, remove jumpers from JWB and JWC and place a single jumper across JWA. To change to 120 VAC, remove jumper JWA and place jumpers across JWB and JWC.
4. Gently return PCB into housing and replace back panel.

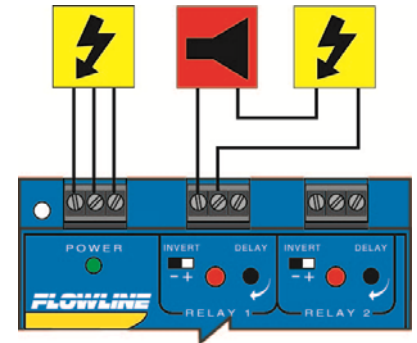


**Low Level Alarm:** The goal is to make sure that the liquid level does not fall below a certain point. If it does, an alarm is supposed to sound, alerting the operator of a low level condition.

If power is accidentally cut to the controller, the sensor's ability to notify the operator of a low level condition could be lost. The system must alert the operator not only to low liquid level, but to controller power loss.

To do this, connect the hot lead of the alarm to the NC side of the relay terminal of the controller. If power is lost, the relay will be de-energized, and the alarm will sound (if there is still power to the alarm circuit itself). The alarm circuit should have a non-interruptible power supply or some other indicator or backup alarm to warn of a power failure in the alarm circuit.

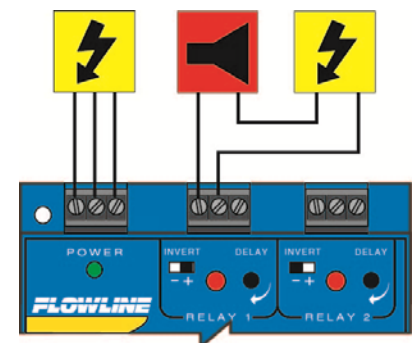
In this application, the normal status if the sensor at the bottom of the tank will be wet, and the relay will be energized holding the alarm circuit open. Both the relay LED and the Input LED will be on simultaneously, so for this application, Invert should be set to the OFF position.



**High Level Alarm:** In the same manner, this system can be used to sound an alarm when fluid reaches a high level, with just a change in the location of the sensor and the setting of the Invert switch.

The alarm is still connected to the NC side of the relay to allow for a power failure alarm.

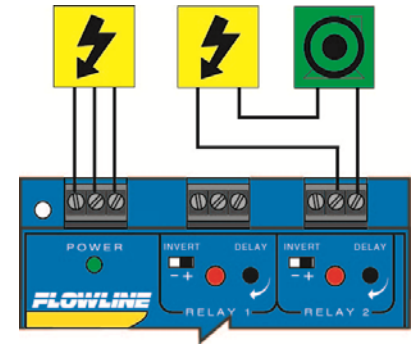
The sensor is normally dry. In this condition, we want the relay to be energized so the alarm does not sound: i.e., the Red relay LED should be on whenever the Input LED is Amber. So we turn Invert On. If the fluid level rises to the high sensor point, the sensor goes on, the relay de-energizes, and the alarm sounds.



**LED Indication:** To determine whether the switch is in a wet or dry state, observe the LED's located above the input terminals. With powered switches, Green indicates dry and Amber indicates wet. With reed switches, Amber indicates wet and no LED indicates dry. **Note:** some reed switches (SPDT) maybe wired in reverse or two wire switches may be mechanically configured so that no LED indicates wet and Amber indicates dry.

**Automatic Fill:** This system consists of a tank with a high level sensor, a low level sensor, and a pump that is controlled by the controller. Part of a proper fail-safe design for this particular system is that if power is lost to the controller for any reason, the pump filling the tank must be turned off. Therefore, we connect the pump to the NO side of the relay. When the relay is energized, the pump will turn on and fill the tank. The relay indicator will correspond directly to the ON/OFF status of the pump.

**NOTE:** If the pump motor load exceeds the rating of the controller's relay, a stepper relay of higher capacity must be used as part of the system design.



**Determining the settings of LATCH and INVERT:** This is the way the system must operate:

- When both the high and low sensors are dry, the pump should turn on, starting to fill the tank.
- When the low sensor gets wet, the pump should stay on.
- When the high sensor gets wet, the pump should turn off.

**Latch:** In any two-sensor control system, LATCH must be ON.

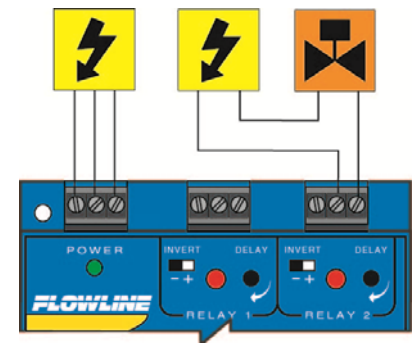
**Invert:** Referring to the logic chart in Step Nine, we look for the setting that will de-energize the relay (start the pump) when both inputs are wet (Amber LEDs). In this system, Invert should be ON.

**Determining A or B input connections:** When LATCH is ON, there is no effective difference between Input A and B, since both sensors must have the same signal in order for status to change. When wiring any two-input relay section, the only consideration for hooking a particular sensor to A or B is if LATCH will be OFF.

**Automatic Empty:** Note that similar system logic can be used for an automatic empty operation simply by controlling a pump that pumps fluid out of the tank instead of into it. However, note the importance of fail-safe design. If the tank is being passively filled, and a pump must be used to actively empty it, a power failure to either the controller or the pump circuits will cause overflow.

Alternatively, an electrically-controlled drain valve could be used. In this case, the valve should be a type that will automatically open if power is lost; in other words, power must be used to hold it closed. The valve would be connected to the NO side of the relay—if power is lost to the controller, the relay de-energizes, the valve loses the power that was holding it shut, and fluid will drain from the tank into some other safe containment until power is restored. In this system, whenever the red relay LED of the controller is ON, the drain is closed, allowing fluid to rise.

In this case, Invert should be ON: when both sensors are wet, the relay de-energizes, the switch to the valve opens, and the tank will drain.



**Controller Logic:** Please use the following guide to understand the operation of the controllers.

- Power LED:** Make sure the Green power LED is ON when power is supplied to the controller.
- Input LED(s):** The input LED(s) on the controller will be Amber when the switch(es) is/are wet and Green or OFF when the switch(es) is/are dry. If the LED's are not switching the input LED, test the level switch.
- Single-Input Relays:** When the input LED turn OFF and ON, the relay LED will also switch. With invert OFF, the relay LED will be: ON when the input LED is ON and OFF when the input LED is OFF. With invert ON, the relay LED will be: OFF when the input LED is ON and ON when the input LED is OFF.
- Dual-Input (latching) Relays:** When both inputs are wet (Amber LED's ON), the relay will be energized (Red LED ON). After that, if one switch becomes dry, the relay will remain energized. Only when both switches are dry (both amber LED's OFF) will the controller de-energize the relay. The relay will not energize again until both switches are wet. See the Relay Latch Logic Chart below for further explanation.

**Relay Latch Logic Table (latching relays only):** The relay can either be an independent relay (high or low level alarm) or can be a latching relay (automatic fill or empty) with latch ON. With Latch OFF, the relay will only respond to the INPUT A setting. INPUT B will be ignored.

With Latch ON, the relay will actuate when INPUT A and INPUT B are in the same condition. The relay will not change its condition until both inputs reverse their state.

**Caution:** Some sensors (particularly buoyancy sensors) may have their own inverting capability (wired NO or NC). This will change the logic of the invert switch. Check your system design.

| Invert OFF |           | Latch OFF |
|------------|-----------|-----------|
| Input A*   | Input B*  | Relay     |
| ON         | No Effect | ON        |
| OFF        | No Effect | OFF       |

| Invert ON |           | Latch OFF |
|-----------|-----------|-----------|
| Input A*  | Input B*  | Relay     |
| ON        | No Effect | OFF       |
| OFF       | No Effect | ON        |

| Invert OFF |          | Latch ON  |
|------------|----------|-----------|
| Input A*   | Input B* | Relay     |
| ON         | ON       | ON        |
| OFF        | ON       | No Change |
| ON         | OFF      | No Change |
| OFF        | OFF      | OFF       |

| Invert ON |          | Latch ON  |
|-----------|----------|-----------|
| Input A*  | Input B* | Relay     |
| ON        | ON       | OF        |
| OFF       | ON       | No Change |
| ON        | OFF      | No Change |
| OFF       | OFF      | ON        |

**Troubleshooting**

| PROBLEM   | SOLUTION  |
|---|---|
| Relay switches only from input A (ignores input B)  | Latch is turned OFF. Flip the latch switch to turn ON.  |
| Level reaches alarm ON, but relay is OFF.           | First, check to make sure the input LED is ON. If not, check wiring to sensor.<br>Second, check status of Relay LED. If incorrect, flip the Invert switch to change the relay state.  |
| Pump or Valve is supposed to stop, but it does not. | First, check to make sure the input LEDs are both in the same state (both ON or both OFF). If not, check wiring to each sensor.<br>Second, check status of Relay LED. If incorrect, flip the Invert switch to change the relay state. |
| Controller is powered, but nothing happens.         | First check the Power LED to make sure it is Green. If not, check the wiring, power and make sure the terminal is seated correctly.   |

**Warranty**

Flowline warrants to the original purchaser of its products that such products will be free from defects in material and workmanship under normal use and service in accordance with instructions furnished by Flowline for a period of two years from the date of manufacture of such products. Flowline's obligation under this warranty is solely and exclusively limited to the repair or replacement, at Flowline's option, of the products or components, which Flowline's examination determines to its satisfaction to be defective in material or workmanship within the warranty period. Flowline must be notified pursuant to the instructions below of any claim under this warranty within thirty (30) days of any claimed lack of conformity of the product. Any product repaired under this warranty will be warranted only for the remainder of the original warranty period. Any product provided as a replacement under this warranty will be warranted for the full two years from the date of manufacture.

**Returns**

Products cannot be returned to Flowline without Flowline's prior authorization. To return a product that is thought to be defective, go to [www.flowline.com](http://www.flowline.com), and submit a customer return (MRA) request form and follow the instructions therein. All warranty and non-warranty product returns to Flowline must be shipped prepaid and insured. Flowline will not be responsible for any products lost or damaged in shipment.

**Limitations**

This warranty does not apply to products which: 1) are beyond the warranty period or are products for which the original purchaser does not follow the warranty procedures outlined above; 2) have been subjected to electrical, mechanical or chemical damage due to improper, accidental or negligent use; 3) have been modified or altered; 4) anyone other than service personnel authorized by Flowline have attempted to repair; 5) have been involved in accidents or natural disasters; or 6) are damaged during return shipment to Flowline. Flowline reserves the right to unilaterally waive this warranty and dispose of any product returned to Flowline where: 1) there is evidence of a potentially hazardous material present with the product; or 2) the product has remained unclaimed at Flowline for more than 30 days after Flowline has dutifully requested disposition. This warranty contains the sole express warranty made by Flowline in connection with its products. ALL IMPLIED WARRANTIES, INCLUDING WITHOUT LIMITATION, THE WARRANTIES OF MERCHANTABILITY AND FITNESS FOR A PARTICULAR PURPOSE, ARE EXPRESSLY DISCLAIMED. The remedies of repair or replacement as stated above are the exclusive remedies for the breach of this warranty. IN NO EVENT SHALL FLOWLINE BE LIABLE FOR ANY INCIDENTAL OR CONSEQUENTIAL DAMAGES OF ANY KIND INCLUDING PERSONAL OR REAL PROPERTY OR FOR INJURY TO ANY PERSON. THIS WARRANTY CONSTITUTES THE FINAL, COMPLETE AND EXCLUSIVE STATEMENT OF WARRANTY TERMS AND NO PERSON IS AUTHORIZED TO MAKE ANY OTHER WARRANTIES OR REPRESENTATIONS ON BEHALF OF FLOWLINE. This warranty will be interpreted pursuant to the laws of the State of California. If any portion of this warranty is held to be invalid or unenforceable for any reason, such finding will not invalidate any other provision of this warranty.

For complete product documentation, video training, and technical support, go to [www.flowline.com](http://www.flowline.com).

For phone support, call 562-598-3015 from 8am to 5pm PST, Mon - Fri.

(Please make sure you have the Part and Serial number available.)