

# Type R222 Second-Stage Regulator

## Introduction

The Type R222 is an Underwriters Laboratories (UL®) listed regulator designed for Two-Stage LP-Gas systems. The unit is designed to reduce the outlet pressure from a first-stage regulator (usually 10 psig / 0.69 bar) to an outlet pressure of 11-inches w.c. / 27 mbar. The unit's capacity, up to 650,000 BTU/hour, is sized for small domestic loads. The units compact size makes it ideal for tight fit applications. A screened drip-lip vent is oriented over the inlet in the standard configuration.

## Features

- **20 Year Recommended Replacement Life**—The Type R222 is designed using rugged time proven design concepts and constructed of corrosion resistant materials, both internally and externally. With proper installation and periodic inspection and maintenance, the Type R222 regulator will meet a 20 Year Recommended Replacement Life.
- **Dual Gauge Taps**—Built-in 1/8-inch threaded NPT gauge taps, orificed to a number 54 drill size on the inlet and outlet side of the regulator allow for easy gas system checks.
- **Durability**—The design utilizes the same durable valve stem linkage design used in R600 Series regulators for reliable lockup and regulation performance.
- **Improved Regulation**—A large fabric-reinforced diaphragm delivers accurate and stable regulation.
- **Easy Installation**—The units compact size and easily accessible inlet and outlet wrench flats make installation easy even in the tightest locations. Optional vent orientation with the vent oriented over outlet is available.
- **Superior Overpressure Protection**—The combination of a high capacity relief valve and large vent provide overpressure protection which exceeds UL standards and is capable of limiting the downstream pressure to 2 psig / 0.14 bar even in a double failure situation when used with a Fisher Type R122H or R622H first-stage regulator.
- **Corrosion-Resistant**—Added corrosion resistance from an internal and external coating process for all castings prior to painting, stainless steel relief valve spring and retainer and a corrosion resistant relief valve seat.
- **Positive Draining Spring Case**—When installed properly with the spring case vents pointed down, the design allows moisture formed in the spring case to drain out limiting the problems with corrosion and freezing water in the spring case.



Figure 1. Type R222 Second-Stage Regulator

# Bulletin LP-7:R222

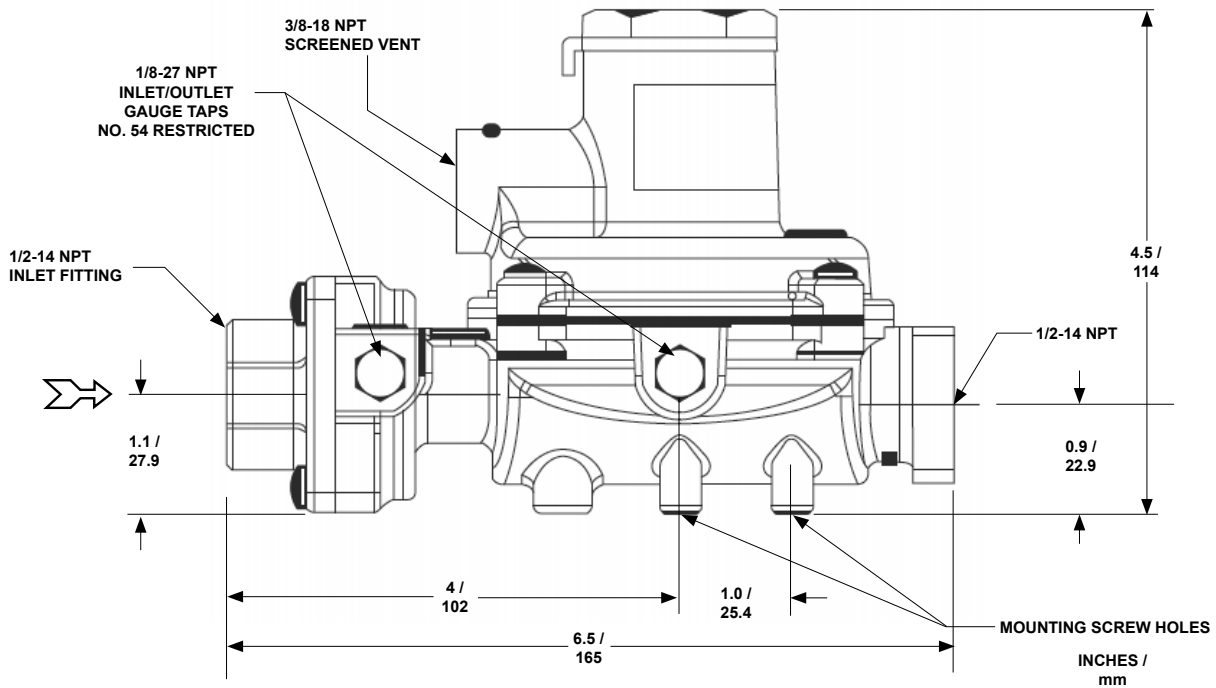


Figure 2. Type R222 Dimensions

Table 1. Ordering Information

TYPE NUMBER	CAPACITY, BTU/HOUR PROPANE <sup>(1)</sup>	CONNECTIONS INLET X OUTLET	OUTLET PRESSURE SETTING	OUTLET PRESSURE RANGE
R222-BAF	650,000	1/2 x 1/2-inch NPT	11-inches w.c. / 27 mbar	9.5 to 13-inches w.c. / 24 to 32 mbar
R222-BAFXA <sup>(2)</sup>				

1. Capacity is based on 10 PSIG / 0.69 bar inlet pressure and 2-inches w.c. / 5 mbar droop.  
 2. Spring case vent over outlet.

## LP-Gas Equipment

### Emerson Process Management Regulator Technologies, Inc.

USA - Headquarters  
 McKinney, Texas 75069-1872, USA  
 Tel: +1 800 558 5853  
 Outside U.S. +1 972 548 3574

For further information visit [www.fisherregulators.com](http://www.fisherregulators.com)

The Emerson logo is a trademark and service mark of Emerson Electric Co. All other marks are the property of their prospective owners. Fisher is a mark owned by Fisher Controls International LLC, a business of Emerson Process Management.

The contents of this publication are presented for informational purposes only, and while every effort has been made to ensure their accuracy, they are not to be construed as warranties or guarantees, express or implied, regarding the products or services described herein or their use or applicability. We reserve the right to modify or improve the designs or specifications of such products at any time without notice.

Emerson Process Management does not assume responsibility for the selection, use or maintenance of any product. Responsibility for proper selection, use and maintenance of any Emerson Process Management product remains solely with the purchaser.