

Technical Information

Deltabar PMD55B

Differential pressure, level and flow measurement
in liquids or gases



Digital differential pressure transmitter with metal
process isolating diaphragm

Applications

- Pressure measuring ranges up to 40 bar (600 psi)
- Static pressure up to 250 bar (3 750 psi)
- Accuracy: up to $\pm 0.055\%$

Advantages

The new Deltabar generation introduces a robust pressure transmitter that combines numerous benefits: Easiest local or remote operation, allows condition-based maintenance and offers smart safety in processes. The software is designed to simplify the handling. Intuitive and clear wizard navigation guides the user through the commissioning and verification of the device. The Bluetooth connectivity provides a safe and remote operation. The large display guarantees excellent readability.

Table of contents

About this document	4	Climate class	25
Symbols	4	Atmosphere	25
List of abbreviations	5	Degree of protection	25
Turn down calculation	5	Vibration resistance	26
		Electromagnetic compatibility (EMC)	26
Function and system design	7	Process	27
Measuring principle	7	Process temperature range	27
Measuring system	7	Process temperature range (temperature at transmitter)	28
Communication and data processing	7	Process temperature range, seals	28
Dependability for measuring devices with HART or Bluetooth	7	Process pressure range	29
		Ultrapure gas applications	29
Input	9	Mechanical construction	30
Measured variable	9	Design, dimensions	30
Measuring range	9	Dimensions	30
		Weight	34
Output	11	Materials in contact with process	35
Output signal	11	Materials not in contact with process	36
Signal on alarm	11	Accessories	37
Load	11		
Damping	11	Human interface	38
Ex connection data	11	Operating concept	38
Linearization	11	Local operation	38
Flow measurement with Deltabar and differential pressure sensor	11	Local display	38
Protocol-specific data	12	Remote operation	39
Wireless HART data	12	System integration	39
		Supported operating tools	39
Power supply	13	Certificates and approvals	40
Terminal assignment	13	CE mark	40
Available device plugs	13	RCM-Tick marking	40
Supply voltage	14	Ex approvals	40
Potential equalization	15	EAC conformity	40
Terminals	15	Certificate of current Good Manufacturing Practices (cGMP)	40
Cable entries	15	Drinking water approval	40
Cable specification	15	Overfill prevention (in preparation)	40
Overvoltage protection	15	Functional safety SIL/ IEC 61508 Declaration of Conformity (optional)	40
		Marine approval (pending)	41
Performance characteristics	16	Radio approval	41
Response time	16	CRN approval	41
Reference operating conditions	16	Test reports	41
Maximum measured error (total performance)	16	Pressure Equipment Directive 2014/68/EU (PED)	41
Resolution	18	Oxygen application	42
Total error	18	PWIS-free applications	42
Long-term stability	19	China RoHS symbol	42
Response time T63 and T90	19	RoHS	42
Warm-up period	20	Additional certification	42
Installation	21	Ordering information	43
Orientation	21	Ordering information	43
Sensor selection and arrangement	21	Scope of delivery	43
Special mounting instructions	23	Measuring point (tag)	43
Environment	25		
Ambient temperature range	25		
Storage temperature	25		
Operating altitude	25		

Accessories	44
Device-specific accessories	44
Device Viewer	44
Supplementary documentation	45
Standard documentation	45
Supplementary device-dependent documentation	45
Field of Activities	45
Special Documentation	45
Registered trademarks	45

About this document

Symbols

Safety symbols



This symbol alerts you to a dangerous situation. Failure to avoid this situation will result in serious or fatal injury.



This symbol alerts you to a dangerous situation. Failure to avoid this situation can result in serious or fatal injury.



This symbol alerts you to a dangerous situation. Failure to avoid this situation can result in minor or medium injury.



This symbol contains information on procedures and other facts which do not result in personal injury.

Electrical symbols


Ground connection: \perp

Terminal for connection to the grounding system.

Symbols for certain types of information


Permitted: 


Procedures, processes or actions that are permitted.

Forbidden: 


Procedures, processes or actions that are forbidden.

Additional information: 

Reference to documentation: 

Reference to page: 

Series of steps: **1.**, **2.**, **3.**

Result of an individual step: 



Symbols in graphics

Item numbers: 1, 2, 3 ...

Series of steps: **1.**, **2.**, **3.**

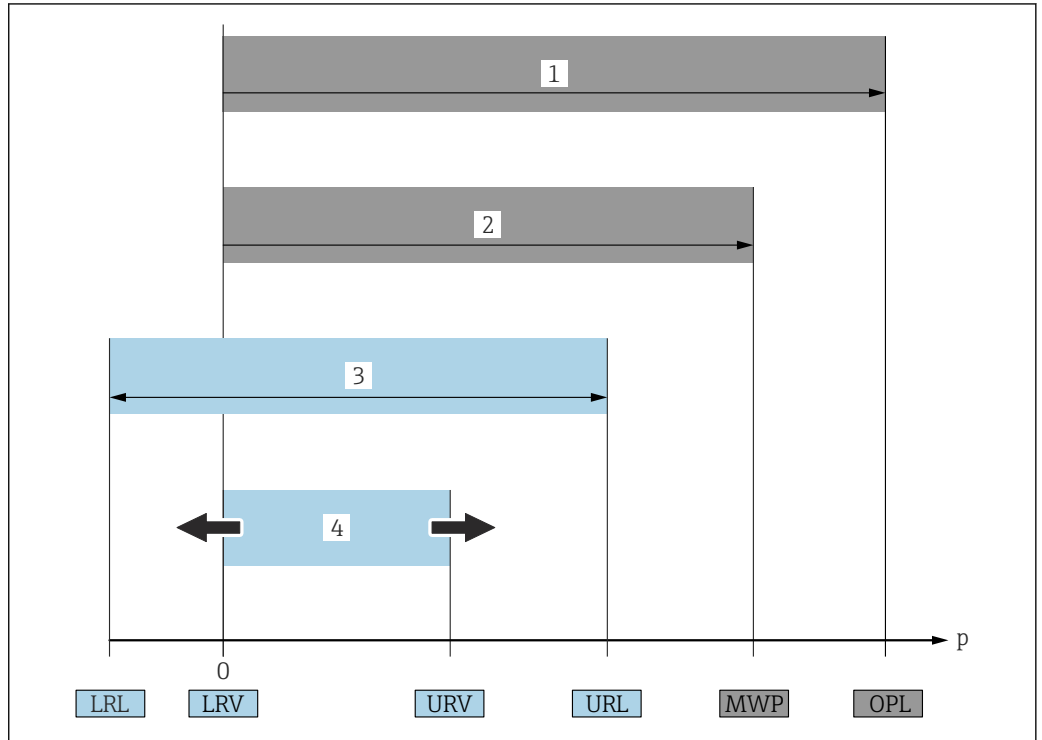
Views: A, B, C, ...

Symbols on the device

Safety instructions:  → 

Observe the safety instructions contained in the associated Operating Instructions.

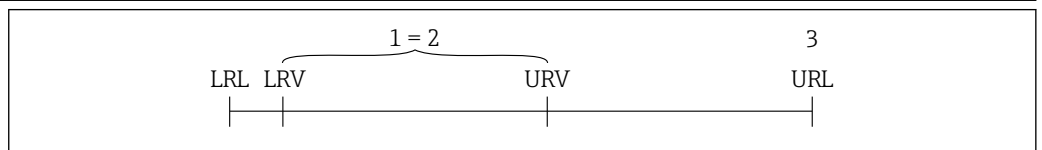
List of abbreviations



A0029505

- 1 OPL: The OPL (over pressure limit = sensor overload limit) for the measuring device depends on the lowest-rated element, with regard to pressure, of the selected components, i.e. the process connection has to be taken into consideration in addition to the measuring cell. Pay attention to the pressure/temperature dependency.
 - 2 MWP: The MWP (maximum working pressure) for the sensors depends on the lowest-rated element, with regard to pressure, of the selected components, i.e. the process connection has to be taken into consideration in addition to the measuring cell. Pay attention to the pressure/temperature dependency. The MWP may be applied at the device for an unlimited period of time. The MWP can be found on the nameplate.
 - 3 The maximum sensor measuring range corresponds to the span between the LRL and URL. This sensor measuring range is equivalent to the maximum calibratable/adjustable span.
 - 4 The calibrated/adjusted span corresponds to the span between the LRV and URV. Factory setting: 0 to URL. Other calibrated spans can be ordered as customized spans.
- p Pressure
 LRL Lower range limit
 URL Upper range limit
 LRV Lower range value
 URV Upper range value
 TD Turn down. Example - see the following section.

Turn down calculation



A0029545

- 1 Calibrated/adjusted span
- 2 Zero point-based span
- 3 Upper range limit (URL)

Example:

- Sensor: 16 bar (240 psi)
- Upper range limit (URL) = 16 bar (240 psi)
- Calibrated/adjusted span: 0 to 8 bar (0 to 120 psi)
- Lower range value (LRV) = 0 bar (0 psi)
- Upper range value (URV) = 8 bar (120 psi)

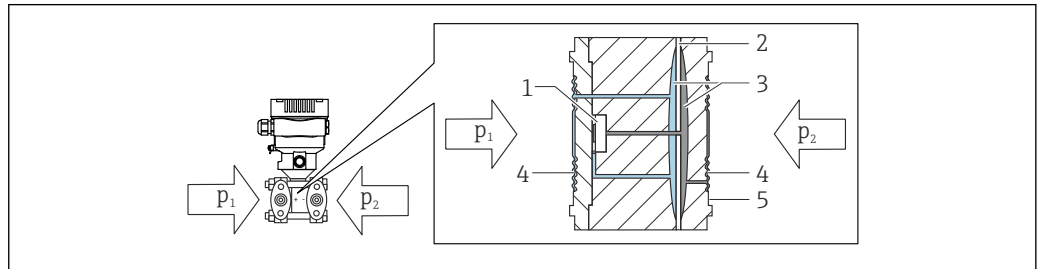
$$TD = \frac{URL}{|URV - LRV|}$$

In this example, the TD is 2:1. This span is based on the zero point.

Function and system design

Measuring principle

Measuring cell for differential pressure with metal process isolating diaphragm



A0043083

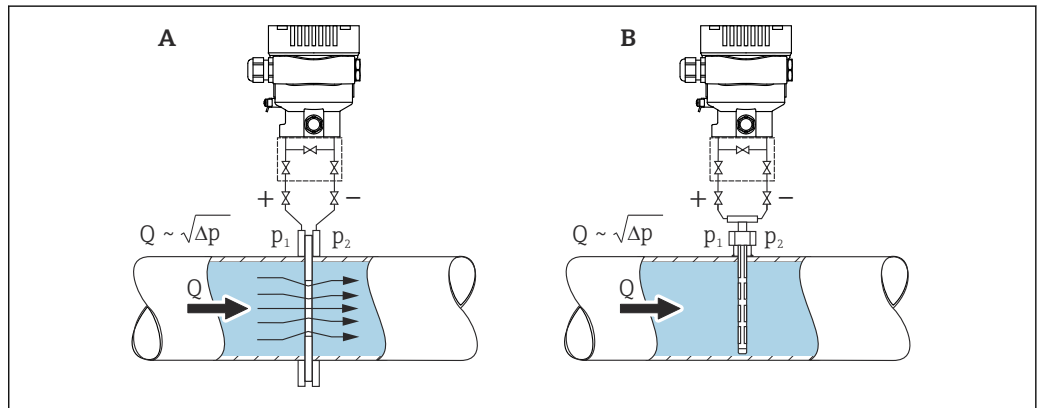
- 1 Measuring element
- 2 Middle diaphragm
- 3 Fill fluid
- 4 Process isolating diaphragm
- 5 Seal
- p_1 Pressure 1
- p_2 Pressure 2

The process isolating diaphragms are deflected on both sides by the acting pressures. A fill fluid transfers the pressure to a side of the measuring element where a resistance bridge is located (semiconductor technology). The change in the bridge output voltage, which depends on the differential pressure, is measured and processed further.

Measuring system

Flow measurement

Flow measurement with Deltabar and differential pressure sensor:



A0038340

- A Orifice plate
- B Pitot tube
- Q Flow
- Δp Differential pressure, $\Delta p = p_1 - p_2$

Advantages:

- A customized unit can be specified
- Measured value suppression can be set in the lower measuring range with the **Low flow cut off** parameter.

Communication and data processing

- 4 to 20 mA with HART communication protocol
- Bluetooth (optional)

Dependability for measuring devices with HART or Bluetooth

IT security

Endress+Hauser can only provide a warranty if the device is installed and used as described in the Operating Instructions. The device is equipped with security mechanisms to protect it against any

inadvertent changes to the device settings. IT security measures in line with operators' security standards and designed to provide additional protection for the device and device data transfer must be implemented by the operators themselves.

Device-specific IT security

The device offers specific functions to support protective measures by the operator. These functions can be configured by the user and guarantee greater in-operation safety if used correctly. An overview of the most important functions is provided in the following section:

- Write protection via hardware write protection switch
- Access code (applies for operation via Bluetooth, FieldCare, DeviceCare, ASM, PDM)

Input

Measured variable	Measured process variables <ul style="list-style-type: none"> ■ Differential pressure ■ Gauge pressure
Measuring range	Depending on the device configuration, the MWP and OPL can differ from the values indicated in the table. Standard: PN 160 / 16 MPa / 2400 psi

Sensor	Maximum sensor measuring range		Smallest calibratable span ¹⁾
	lower (LRL)	upper (URL)	
[mbar (psi)]	[mbar (psi)]	[mbar (psi)]	[mbar (psi)]
30 (0.45)	-30 (-0.45)	+30 (+0.45)	0.3 (0.0045)
100 (1.5)	-100 (-1.5)	+100 (+1.5)	1 (0.015)
500 (7.5)	-500 (-7.5)	+500 (+7.5)	5 (0.075)
3000 (45)	-3000 (-45)	+3000 (+45)	30 (0.45)
16000 (240)	-16000 (-240)	+16000 (+240)	160 (2.4)
40000 (600)	-40000 (-600)	+40000 (+600)	400 (6)

1) Turn down > 100:1 on request

Sensor	MWP	OPL	
		on one side	on both sides
[mbar (psi)]	[bar (psi)]	[bar (psi)]	[bar (psi)]
30 (0.45)	100 (1500)	150 (2250)	150 (2250)
100 (1.5)	160 (2400) ¹⁾	160 (2400)	240 (3600)
500 (7.5)	160 (2400) ¹⁾	160 (2400)	240 (3600)
3000 (45)	160 (2400) ¹⁾	160 (2400)	240 (3600)
16000 (240)	160 (2400) ¹⁾	160 (2400)	240 (3600)
40000 (600)	160 (2400) ^{1) 2)}	"+" side: 160 (2400) "-" side: 100 (1500)	240 (3600)

1) If CRN approval is selected, the following limited MWP values apply: with copper seals: 124 bar (1798.5 psi)

2) If pressure is applied on the negative side only, the MWP is 100 bar (1500 psi).

Standard: PN 250 / 25 MPa / 3626 psi

Sensor	Maximum sensor measuring range		Smallest calibratable span ¹⁾
	lower (LRL)	upper (URL)	
[mbar (psi)]	[mbar (psi)]	[mbar (psi)]	[mbar (psi)]
100 (1.5)	-100 (-1.5)	+100 (+1.5)	1 (0.015)
500 (7.5)	-500 (-7.5)	+500 (+7.5)	5 (0.075)
3000 (45)	-3000 (-45)	+3000 (+45)	30 (0.45)
16000 (240)	-16000 (-240)	+16000 (+240)	160 (2.4)
40000 (600)	-40000 (-600)	+40000 (+600)	400 (6)

1) Turn down > 100:1 on request

Sensor	MWP ¹⁾	OPL	
		on one side	on both sides
[mbar (psi)]	[bar (psi)]	[bar (psi)]	[bar (psi)]
100 (1.5)	250 (3626) ²⁾	250 (3626)	375 (5625)
500 (7.5)	250 (3626) ²⁾	250 (3626)	375 (5625)
3000 (45)	250 (3626) ²⁾	250 (3626)	375 (5625)
16000 (240)	250 (3626) ²⁾	250 (3626)	375 (5625)
40000 (600)	250 (3626) ^{2) 3)}	"+" side: 250 (3626) "-" side: 100 bar (1 500 psi)	375 (5625)

- 1) MWP only on both sides.
- 2) If CRN approval is selected, the following limited MWP values apply: with side venting: 179 bar (2 596.2 psi); with copper seals: 124 bar (1 798.5 psi)
- 3) If pressure is applied on the negative side only, the MWP is 100 bar (1 500 psi).

Minimum system pressure

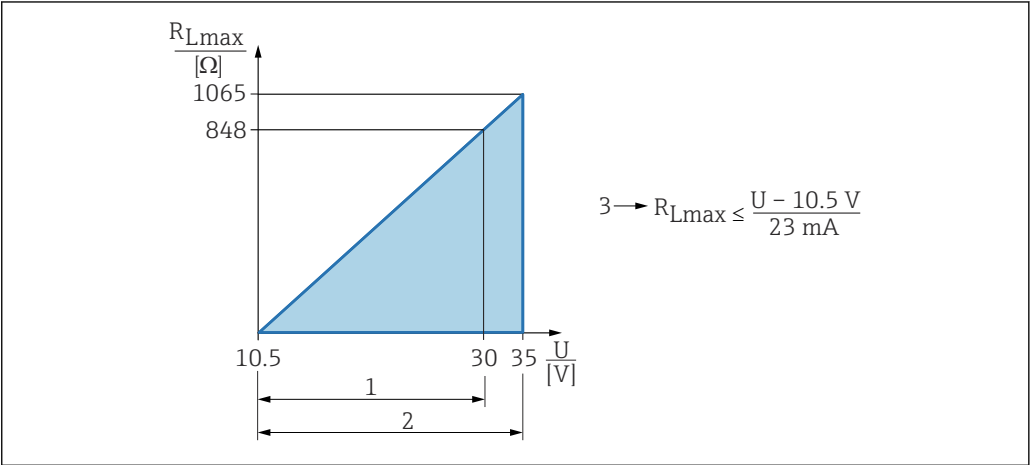
- Minimum system pressure at reference operating conditions for silicone oil:
25 mbar (0.0375 psi)_{abs}
- Minimum system pressure at 85 °C (185 °F) for silicone oil: up to 250 mbar (4 psi)_{abs}

Output


Output signal	<p>Current output</p> <p>4 to 20 mA with superimposed digital communication protocol HART, 2-wire</p> <p>The current output offers a choice of three different operating modes:</p> <ul style="list-style-type: none"> ■ 4.0 to 20.5 mA ■ NAMUR NE 43: 3.8 to 20.5 mA (factory setting) ■ US mode: 3.9 to 20.8 mA
----------------------	---

Signal on alarm	<p>Signal on alarm in accordance with NAMUR recommendation NE 43.</p> <p>4 to 20 mA HART:</p> <p>Options:</p> <ul style="list-style-type: none"> ■ Max alarm: can be set from 21.5 to 23 mA ■ Min. alarm: < 3.6 mA (factory setting)
------------------------	---

Load	4 to 20 mA HART
-------------	------------------------



- 1 Power supply 10.5 to 30 VDC Ex i
- 2 Power supply 10.5 to 35 VDC, for other types of protection and for non-certified device versions
- 3 R_{Lmax} maximum load resistance
- U Supply voltage

 Operation via handheld terminal or PC with operating program: take minimum communication resistance of 250 Ω into consideration.

Damping	<p>A damping affects all outputs (output signal, display). Damping can be enabled as follows:</p> <ul style="list-style-type: none"> ■ Via the DIP switch on the electronic insert ■ Factory setting: 1 s
----------------	---

Ex connection data	<p>See the separate technical documentation (Safety Instructions (XA)) on www.endress.com/download.</p>
---------------------------	---

Linearization	<p>The device's linearization function allows the user to convert the measured value to any units of height or volume. User-defined linearization tables of up to 32 value pairs can be entered if necessary.</p>
----------------------	---

Flow measurement with Deltabar and differential pressure sensor	<p>Low flow cut off parameter: When the Low flow cut off parameter is activated, small flows which can lead to large fluctuations in the measured value are suppressed.</p> <p>The Low flow cut off parameter is set to 5% by default when the Output current transfer function parameter is set to Square root option.</p>
--	--

Protocol-specific data**HART**

- Manufacturer ID: 17 (0x11{hex})
- Device type ID: 0x1131
- Device revision: 1
- HART specification: 7
- DD revision: 1
- Device description files (DTM, DD) information and files at:
 - www.endress.com
 - www.fieldcommgroup.org
- HART load: min. 250 Ohm

HART device variables (preset at the factory)

The following measured values are assigned to the device variables at the factory:

Device variable	Measured value
Primary variable (PV) ¹⁾	Pressure ²⁾
Secondary variable (SV)	Sensor temperature
Tertiary variable (TV)	Electronic temperature
Quaternary variable (QV)	Sensor pressure ³⁾

- 1) The PV is always applied to the current output.
- 2) The pressure is the calculated signal after damping and position adjustment.
- 3) The sensor pressure is the raw sensor signal before damping and position adjustment.

Choice of HART device variables

- **Pressure** option (after position correction and damping)
- Scaled variable
- Sensor temperature
- **Sensor pressure** option Sensor Pressure is the raw signal from sensor before damping and position adjustment.
- Electronics temperature
- Percent of range
- **Loop current** option The loop current is the output current set by the applied pressure.

Supported functions

- Burst mode
- Additional transmitter status
- Device locking

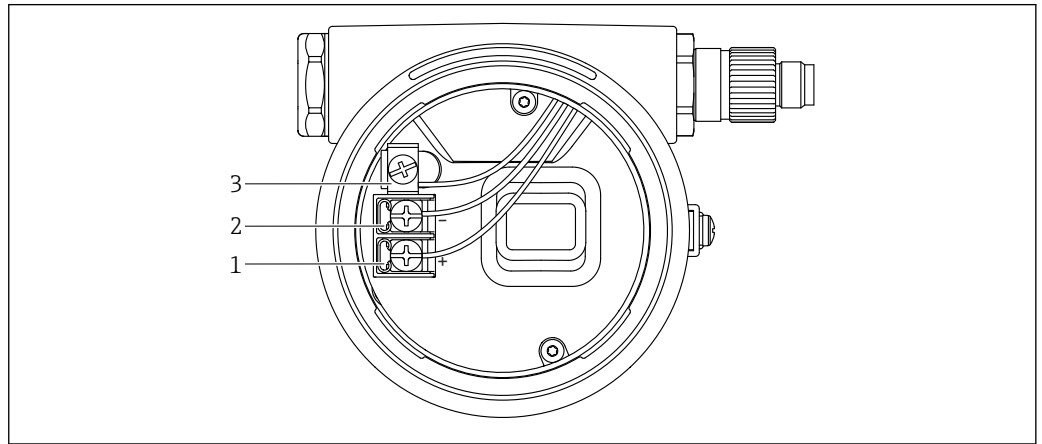
Wireless HART data

- Minimum starting voltage: 10.5 V
- Start-up current: >3.6 mA
- Starting time: <5 s
- Minimum operating voltage: 10.5 V
- Multidrop current: 4 mA

Power supply

Terminal assignment

Single compartment housing



A0042594

1 Connection terminals and ground terminal in the connection compartment

1 Positive terminal

2 Negative terminal

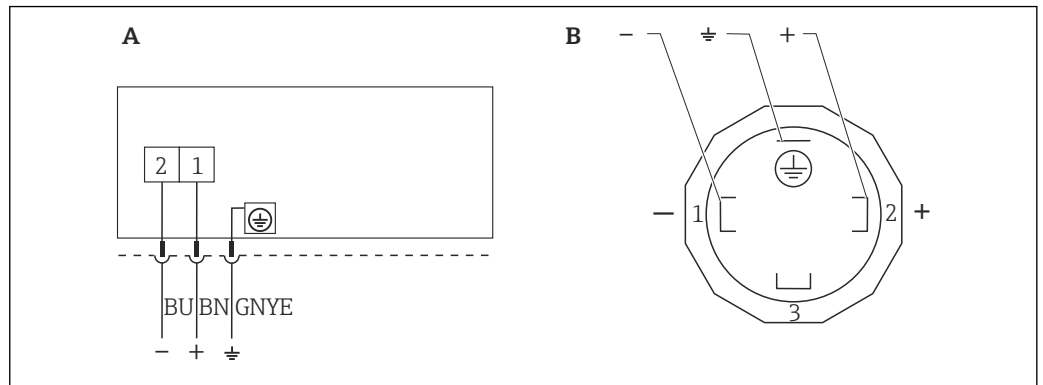
3 Internal ground terminal

Available device plugs

i In the case of devices with a plug, the housing does not have to be opened to establish the connection.

Use the enclosed seals to prevent the penetration of moisture into the device.

Measuring devices with a valve plug



A0023097

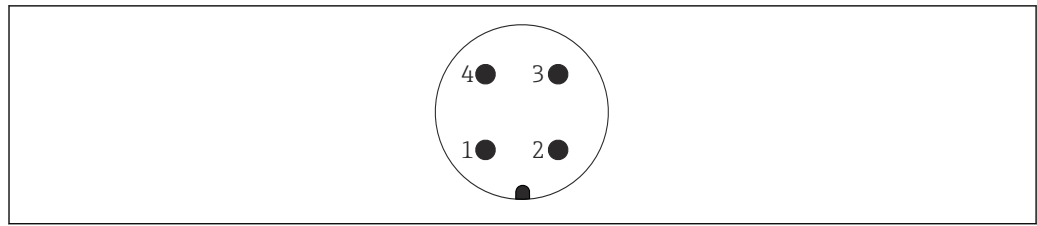
2 BN = brown, BU = blue, GNYE = green/yellow

A Electrical connection for devices with valve connector

B View of the plug-in connection on the device

Material: PA 6.6

Measuring devices with M12 plug



A0011175

- 1 Signal +
- 2 Not assigned
- 3 Signal -
- 4 Ground

Endress+Hauser offers the following accessories for devices with an M12 plug:

Plug-in jack M 12x1, straight

- Material:
 - Body: PBT; union nut: nickel-plated die-cast zinc; seal: NBR
- Degree of protection (fully locked): IP67
- Order number: 52006263

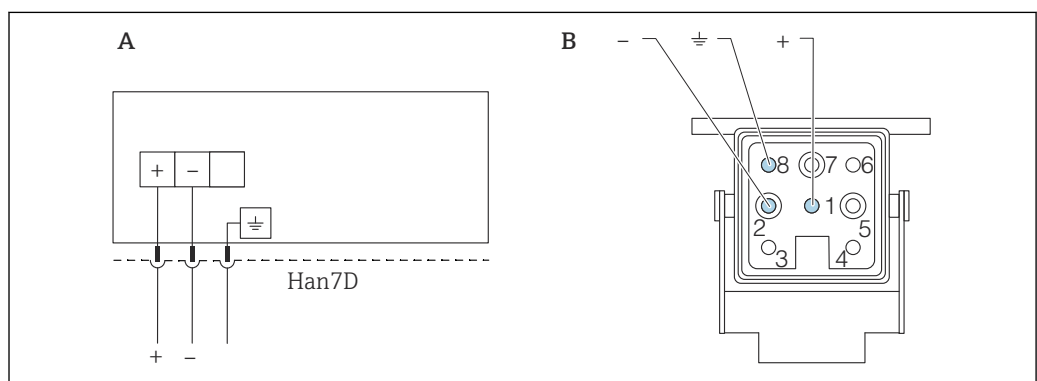
Plug-in jack M 12x1, elbowed

- Material:
 - Body: PBT; union nut: nickel-plated die-cast zinc; seal: NBR
- Degree of protection (fully locked): IP67
- Order number: 71114212

Cable 4x0.34 mm² (20 AWG) with M12 plug-in jack, elbowed, screw plug, length 5 m (16 ft)

- Material: body: TPU; union nut: nickel-plated die-cast zinc; cable: PVC
- Degree of protection (fully locked): IP67/68
- Order number: 52010285
- Cable colors
 - 1 = BN = brown
 - 2 = WT = white
 - 3 = BU = blue
 - 4 = BK = black

Measuring devices with Harting plug Han7D



A0041011

- A Electrical connection for devices with Harting plug Han7D
- B View of the plug-in connection on the device

Material: CuZn, contacts for plug-in jack and connector are gold-plated

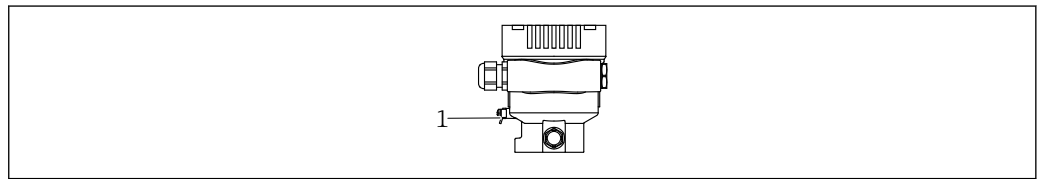
Supply voltage

- Ex d, Ex e, non-Ex: supply voltage: 10.5 to 35 VDC
- Ex i: supply voltage: 10.5 to 30 VDC
- Nominal current: 4 to 20 mA HART

 The power unit must be tested to ensure it meets safety requirements (e.g. PELV, SELV, Class 2).

A suitable circuit breaker should be provided for the device in accordance with IEC/EN 61010.

Potential equalization



A0045411

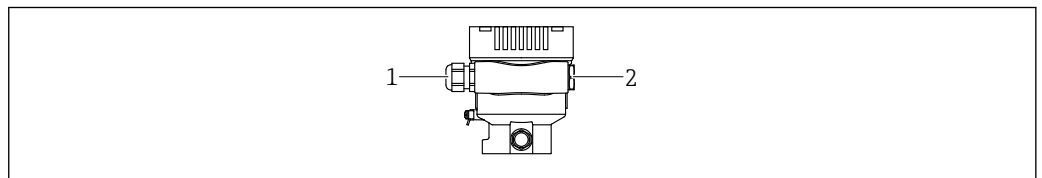
1 Ground terminal for connecting the potential matching line

- i** If necessary, the potential matching line can be connected to the outer ground terminal of the transmitter before the device is connected.
- i** For optimum electromagnetic compatibility:
 - Keep the potential matching line as short as possible
 - Maintain a cross-section of at least 2.5 mm² (14 AWG)

Terminals

- Supply voltage and internal ground terminal: 0.5 to 2.5 mm² (20 to 14 AWG)
- External ground terminal: 0.5 to 4 mm² (20 to 12 AWG)

Cable entries



A0045413

1 Cable entry
2 Dummy plug

A0045413

The type of cable entry depends on the device version ordered.

- i** Always route connecting cables downwards so that moisture cannot penetrate the connection compartment.
- If necessary, create a drip loop or use a weather protection cover.

Cable specification

- The cable outer diameter depends on the cable entry used
- Cable outer diameter
 - Plastic: Ø5 to 10 mm (0.2 to 0.38 in)
 - Nickel-plated brass: Ø7 to 10.5 mm (0.28 to 0.41 in)
 - Stainless steel: Ø7 to 12 mm (0.28 to 0.47 in)

Overvoltage protection

Devices without optional overvoltage protection

Equipment from Endress+Hauser fulfills the requirements of the product standard IEC / DIN EN 61326-1 (Table 2 Industrial Environment).

Depending on the type of port (DC power supply, input/output port) different testing levels according to IEC / DIN EN 61326-1 against transient overvoltages (Surge) are applied (IEC / DIN EN 61000-4-5 Surge):

Test level on DC power ports and input / output ports is 1000 V line to earth

Overvoltage category

Overvoltage category II

Performance characteristics

Response time	<ul style="list-style-type: none"> ▪ Acyclic: min. 330 ms, typically 590 ms (depends on commands and number of preambles) ▪ Cyclic (burst): min. 160 ms, typically 350 ms (depends on commands and number of preambles)
Reference operating conditions	<ul style="list-style-type: none"> ▪ As per IEC 62828-2 ▪ Ambient temperature T_A = constant, in the range +21 to +33 °C (+70 to +91 °F) ▪ Humidity φ = constant, in the range: 5 to 80 % RH \pm 5 % ▪ Ambient pressure p_U = constant, in the range: 860 to 1 060 mbar (12.47 to 15.37 psi) ▪ Position of the measuring cell: horizontal \pm1° ▪ Input of LOW SENSOR TRIM and HIGH SENSOR TRIM for lower range value and upper range value ▪ Membrane material: AISI 316L (1.4435), Alloy C276 ▪ Supply voltage: 24 V DC \pm3 V DC ▪ Load with HART: 250 Ω ▪ Turn down (TD) = $URL / URV - LRV$ ▪ Zero based span
Maximum measured error (total performance)	<p>The performance characteristics refer to the accuracy of the measuring device. The factors influencing accuracy can be divided into two groups</p> <ul style="list-style-type: none"> ▪ Total performance of measuring device ▪ Installation factors <p>All performance characteristics are in conformance with $\geq \pm 3$ sigma.</p> <p>The total performance of the measuring device comprises the reference accuracy and the ambient temperature effect and is calculated using the following formula:</p> $\text{Total performance} = \pm \sqrt{(E1)^2 + (E2)^2 + (E3)^2}$ <p>E1 = Reference accuracy E2 = Ambient temperature effect E3 = Static pressure effect</p> <p>Calculation of E2:</p> <p>Ambient temperature effect per ± 28 °C (50 °F) (corresponds to the range from -3 to +53 °C (+27 to +127 °F))</p> $E2 = E2_M + E2_E$ <p>$E2_M$ = Main temperature error $E2_E$ = Electronics error</p> <ul style="list-style-type: none"> ▪ The values apply for process isolating diaphragms made of 316L (1.4435) ▪ The values refer to the calibrated span.

Reference accuracy [E1]

The reference accuracy comprises the non-linearity according to the limit point method, pressure hysteresis and non-repeatability in accordance with [IEC62828-1 / IEC 61298-2]. Reference accuracy for standard up to TD 100:1, for platinum up to TD 10:1.

30 mbar (0.45 psi) sensor

- Standard: $TD \leq 3:1 = \pm 0.1 \%$; $TD > 3:1 = \pm(0.03 \% \cdot TD + 0.01 \%)$
- Platinum: not available

100 mbar (1.5 psi) sensor

- Standard: $TD \leq 5:1 = \pm 0.075 \%$; $TD > 5:1 = \pm(0.014 \% \cdot TD + 0.005 \%)$
- Platinum: $TD \leq 5:1 = \pm 0.055 \%$; $TD > 5:1 \text{ to } 10:1 = \pm(0.01 \% \cdot TD + 0.005 \%)$

500 mbar (7.5 psi), 3 bar (45 psi), 16 bar (240 psi) and 40 bar (600 psi) sensor

- Standard: $TD \leq 15:1 = \pm 0.075 \%$; $TD > 15:1 = \pm(0.004 \% \cdot TD + 0.015 \%)$
- Platinum: $TD \leq 10:1 = \pm 0.055 \%$

Temperature effect [E2]*E_{2M} - Main temperature error*

The output changes due to the effect of the ambient temperature [IEC 62828-1 / IEC 61298-3] with respect to the reference temperature [IEC 62828-1 / DIN 16086]. The values specify the maximum error due to min./max. ambient or process temperature conditions.

30 mbar (0.45 psi) sensor

- Standard: $\pm(0.31 \% \cdot TD + 0.5 \%)$
- Platinum: $\pm(0.31 \% \cdot TD + 0.5 \%)$

100 mbar (1.5 psi) sensor

- Standard: $\pm(0.18 \% \cdot TD + 0.02 \%)$
- Platinum: $\pm(0.18 \% \cdot TD + 0.02 \%)$

500 mbar (7.5 psi) and 3 bar (45 psi) sensor

- Standard: $\pm(0.08 \% \cdot TD + 0.05 \%)$
- Platinum: $\pm(0.08 \% \cdot TD + 0.05 \%)$

16 bar (240 psi) sensor

- Standard: $\pm(0.1 \% \cdot TD + 0.1 \%)$
- Platinum: $\pm(0.1 \% \cdot TD + 0.1 \%)$

40 bar (600 psi) sensor

- Standard: $\pm(0.08 \% \cdot TD + 0.05 \%)$
- Platinum: $\pm(0.08 \% \cdot TD + 0.05 \%)$

E_{2E} - Electronics error

- 4 to 20 mA: 0.05 %
- Digital output (HART): 0 %

E_{3M} - Main static pressure error

The static pressure effect refers to the effect on the output due to changes in the static pressure of the process (difference between the output at each static pressure and the output at atmospheric pressure [IEC 62828-2 / IEC 61298-3] and therefore the combination of the influence of the operating pressure on the zero point and the span).

30 mbar (0.45 psi) sensor

- Standard
 - Influence on the zero point: $\pm 0.07 \% \cdot TD \text{ per } 70 \text{ bar (1 050 psi)}$
 - Influence on the span: $\pm 0.07 \% \text{ per } 70 \text{ bar (1 050 psi)}$
- Platinum: not available

100 mbar (1.5 psi) sensor

- Standard
 - Influence on the zero point: $\pm 0.15 \% \cdot TD \text{ per } 70 \text{ bar (1 050 psi)}$
 - Influence on the span: $\pm 0.15 \% \text{ per } 70 \text{ bar (1 050 psi)}$
- Platinum
 - Influence on the zero point: $\pm 0.15 \% \cdot TD \text{ per } 70 \text{ bar (1 015 psi)}$
 - Influence on the span: $\pm 0.14 \% \text{ per } 70 \text{ bar (1 050 psi)}$

500 mbar (7.5 psi), 3 bar (45 psi), 16 bar (240 psi) and 40 bar (600 psi) sensor

- Standard
 - Influence on the zero point: $\pm 0.075 \% \cdot \text{TD}$ per 70 bar (1015 psi)
 - Influence on the span: $\pm 0.14 \%$ per 70 bar (1050 psi)
- Platinum
 - Influence on the zero point: $\pm 0.075 \% \cdot \text{TD}$ per 70 bar (1050 psi)
 - Influence on the span: $\pm 0.14 \%$ per 70 bar (1015 psi)

Calculation of the total performance with the Endress+Hauser Applicator

Detailed measured errors, such as for other temperature ranges, for example, can be calculated with the Applicator "[Sizing Pressure Performance](#)".



Resolution

Current output: $<1 \mu\text{A}$

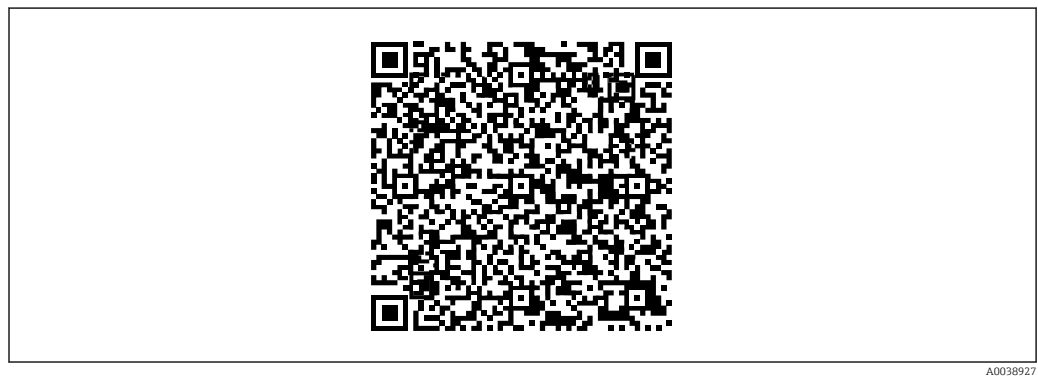
Total error

The total error of the measuring device comprises the total performance and the influence of long-term stability and is calculated using the following formula:

Total error = total performance + long-term stability

Calculation of the total error with the Endress+Hauser Applicator

Detailed measured errors, such as for other temperature ranges, for example, can be calculated with the Applicator "[Sizing Pressure Performance](#)".



Long-term stability

The specifications refer to the upper range limit (URL).

30 mbar (0.45 psi) sensor

- 1 year: ± 0.25 %
- 5 years: ± 1.25 %
- 10 years: ± 1.50 %

100 mbar (1.5 psi) sensor

- 1 year: ± 0.18 %
- 5 years: ± 0.35 %
- 10 years: ± 0.50 %

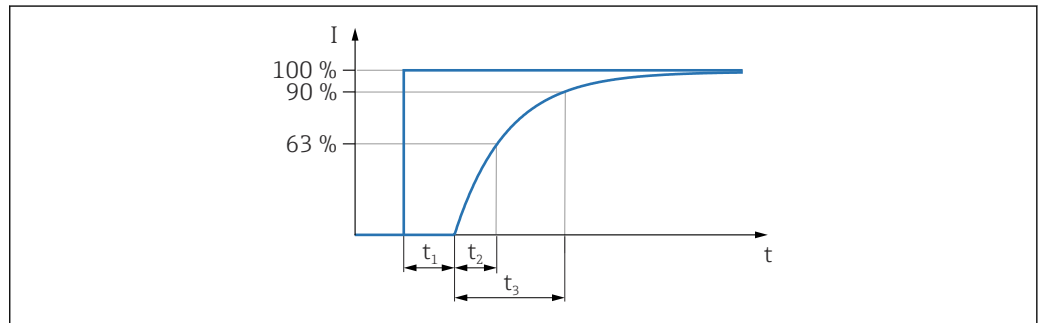
500 mbar (7.5 psi), 3 bar (45 psi), 16 bar (240 psi) and 40 bar (600 psi) sensor

- 1 year: ± 0.05 %
- 5 years: ± 0.13 %
- 10 years: ± 0.23 %

Response time T63 and T90

Dead time, time constant

Presentation of the dead time and the time constant as per DIN 16086:



Dynamic behavior, current output (HART electronics)

30 mbar (0.45 psi) sensor:

- Dead time (t_1): maximum 50 ms
- Time constant T63 (t_2): maximum 450 ms
- Time constant T90 (t_3): maximum 1100 ms

100 mbar (1.5 psi) sensor:

- Dead time (t_1): maximum 50 ms
- Time constant T63 (t_2): maximum 120 ms
- Time constant T90 (t_3): maximum 200 ms

All other sensors:

- Dead time (t_1): maximum 50 ms
- Time constant T63 (t_2): maximum 85 ms
- Time constant T90 (t_3): maximum 200 ms

Dynamic behavior, digital output (HART electronics)

- Dead time (t_1):
 - Minimum 210 ms
 - Maximum 1020 ms
- Time constant T63 (t_2):
 - Minimum 310 ms
 - Maximum 1110 ms
- Time constant T90 (t_3):
 - Minimum 370 ms
 - Maximum 1170 ms

Reading cycle

- Acyclic: max. 3/s, typical 1/s (depends on command # and number of preambles)
- Cyclic (burst): max. 3/s, typical 2/s

The device commands the BURST MODE function for cyclic value transmission via the HART communication protocol.

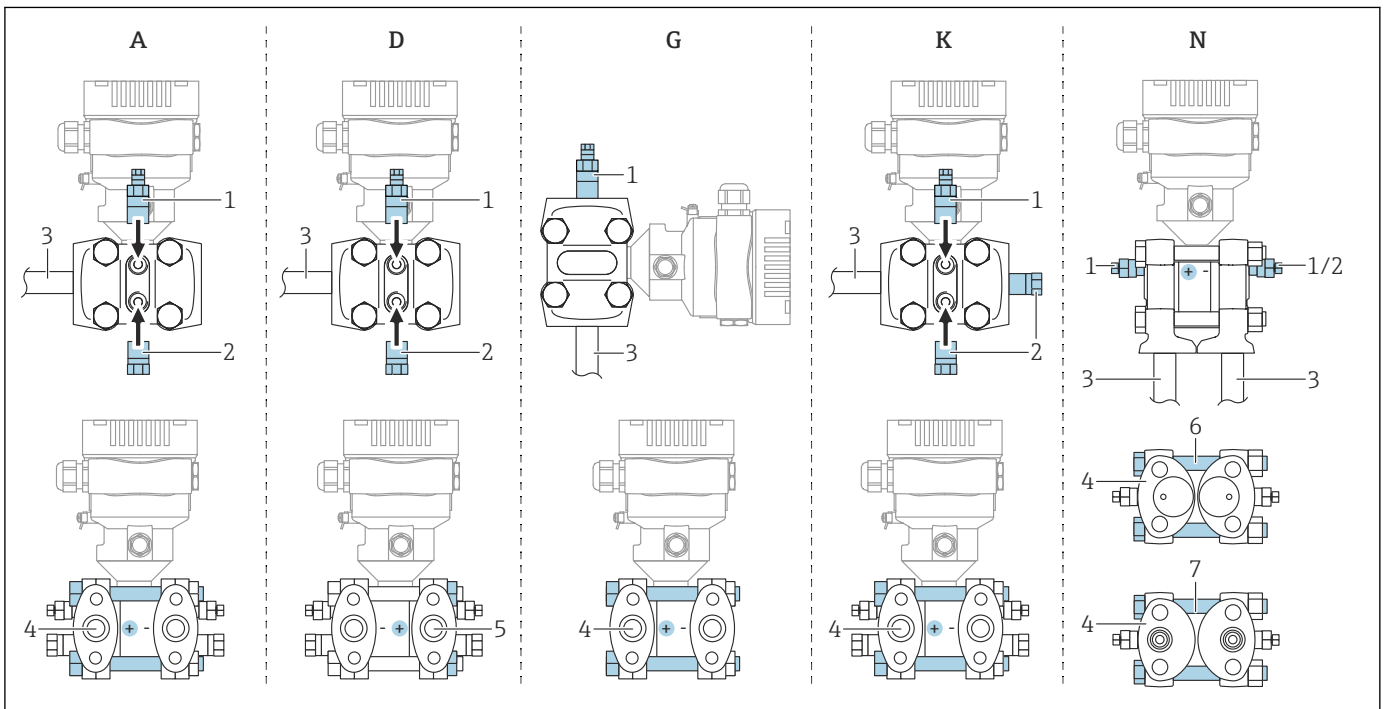
Cycle time (update time)
Cyclic (burst): min. 300 ms

Warm-up period ≤5 s

Installation

Orientation

The installation depends on how the impulse lines are connected.



3 A, D, G, K, N: order options

- A Horizontal impulse line, left side HP (screw head side), with side vent. Thread on one side and side thread for horizontal impulse line.
- D Horizontal impulse line, right side HP (nut side), with side vent. Thread on one side and side thread for horizontal impulse line.
- G Vertical impulse line, left or right side HP (screw head side), with vent. Thread on each side for vertical impulse line.
- K Universal side flange, left or right side HP (screw head side), with vent. Thread on each side and side thread for universal mounting.
- N Bottom process connection, left side HP (screw head side), vent. Thread on each side and side thread for mounting on existing manifolds.
- 1 Vent valve
- 2 Sealing plug
- 3 Impulse line
- 4 High-pressure (HP) side (screw head side)
- 5 High-pressure (HP) side (nut side)
- 6 Coplanar compatible, view from below
- 7 IEC upright, view from below

Sensor selection and arrangement

Flow measurement

Flow measurement in gases

Mount the measuring device above the measuring point so that condensate can flow into the process piping.

Flow measurement in vapors

- Mount the measuring device below the measuring point
- Mount the condensate traps at the same level as the tapping points and at the same distance to the measuring device
- Prior to commissioning, fill the impulse lines to the height of the condensate traps

Flow measurement in liquids

- Mount the measuring device below the measuring point so that the pulse lines are always filled with liquid and gas bubbles can run back into the process piping
- When measuring in media with solid parts, such as dirty liquids, installing separators and drain valves is useful for capturing and removing sediment

Level measurement*Level measurement in open vessels*

- Mount the measuring device below the lower measuring connection so that the impulse lines are always filled with liquid
- The low-pressure side is open to atmospheric pressure
- When measuring in media with solid parts, such as dirty liquids, installing separators and drain valves is useful for capturing and removing sediment

Level measurement in a closed vessel

- Mount the measuring device below the lower measuring connection so that the impulse lines are always filled with liquid
- Always connect the low-pressure side above the maximum level
- When measuring in media with solid parts, such as dirty liquids, installing separators and drain valves is useful for capturing and removing sediment

Level measurement in a closed vessel with superimposed vapor

- Mount the measuring device below the lower measuring connection so that the impulse lines are always filled with liquid
- Always connect the low-pressure side above the maximum level
- The condensate trap ensures constant pressure on the low-pressure side
- When measuring in media with solid parts, such as dirty liquids, installing separators and drain valves is useful for capturing and removing sediment

Pressure measurement*Pressure measurement with 160 bar (2 400 psi) and 250 bar (3 750 psi) measuring cell*

Mount the measuring device above the measuring point so that the condensate can flow into the process piping

Differential pressure measurement*Differential pressure measurement in gases and vapors*

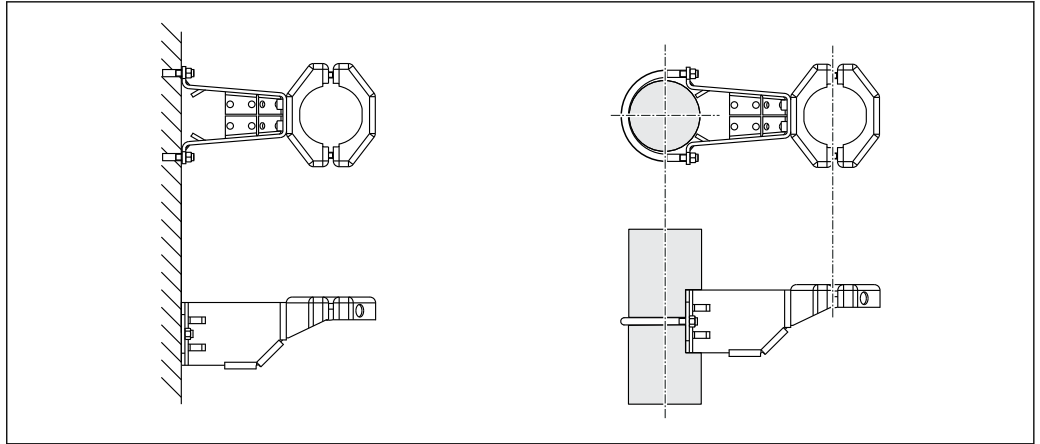
Mount the measuring device above the measuring point so that condensate can flow into the process piping.

Differential pressure measurement in liquids

Mount the measuring device below the measuring point so that the pulse lines are always filled with liquid and gas bubbles can run back into the process piping

Mounting bracket for measuring device or separate housing


The measuring device or separate housing can be mounted on walls or pipes (for pipes with a diameter ranging from 1 ¼" to 2") with the mounting bracket.



A0032492

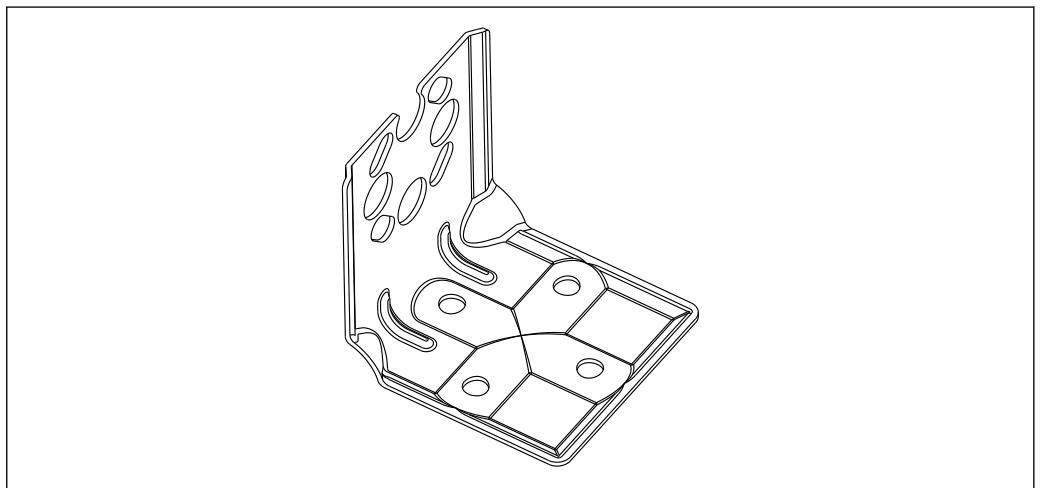
Ordering information:

- Can be ordered via the Product Configurator
- Can be ordered as a separate accessory, part number 71102216

 If the measuring device is ordered with a separate housing, the mounting bracket is included in the delivery.


Wall and pipe mounting

Endress+Hauser offers the following mounting bracket for installing the device on pipes or walls:



A0031326

- If a valve manifold is used, its dimensions should also be taken into consideration
- Bracket for wall and pipe mounting including retaining bracket for pipe mounting and two nuts
- The material of the screws used to secure the device depends on the order code

 For technical data (e.g. materials, dimensions or order numbers), see the accessory document SD01553P.

Special mounting instructions

Wall and pipe mounting with a manifold (optional)

If the measuring device is mounted on a shutoff device (e.g. manifold or shutoff valve), then use the holder provided for this purpose. This makes it easier to disassemble the measuring device.

For technical data, see the SD01553P accessory document.

Sensor, remote (separate housing)

The measuring device housing (including the electronic insert) is mounted at a distance from the measuring point.

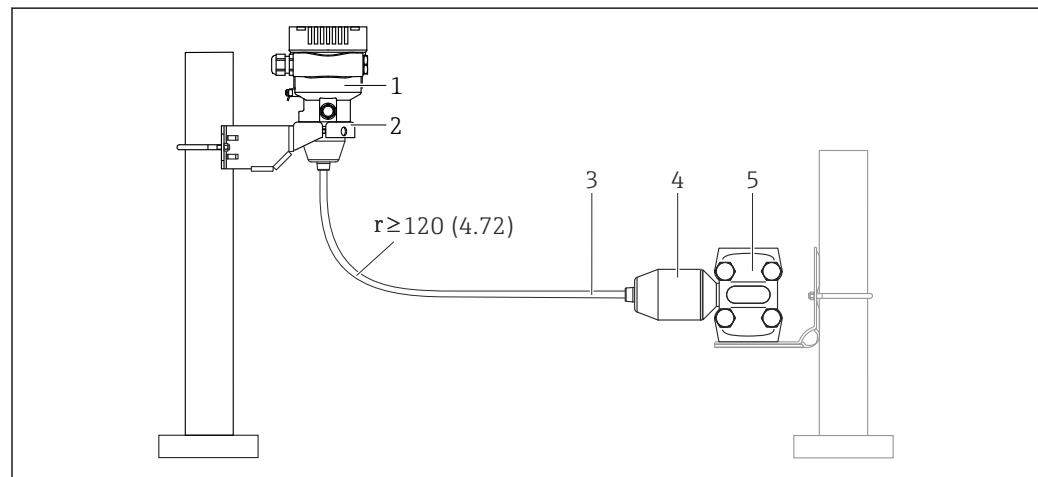
This version therefore facilitates trouble-free measurement

- Under particularly difficult measuring conditions (at installation locations that are cramped or difficult to access)
- If the measuring point is exposed to vibrations

Cable versions:

- PE: 2 m (6.6 ft), 5 m (16 ft) and 10 m (33 ft)
- FEP: 5 m (16 ft).

The sensor is delivered with the process connection and cable already mounted. The housing (including the electronic insert) and a mounting bracket are enclosed as separate units. The cable is provided with a socket at both ends. These sockets are simply connected to the housing (including the electronic insert) and the sensor.



A0043597

- 1 Sensor, remote (including electronic insert)
- 2 Mounting bracket enclosed, suitable for wall or pipe mounting
- 3 Cable, both ends are fitted with a socket
- 4 Process connection adapter
- 5 Process connection with sensor

Ordering information:

- Remote sensor (including electronic insert) including the mounting bracket can be ordered via the Product Configurator
- The mounting bracket can also be ordered as a separate accessory, part number 71102216

Technical data for cables:

- Minimum bending radius: 120 mm (4.72 in)
- Cable extraction force: max. 450 N (101.16 lbf)
- Resistance to UV light

Use in hazardous area:

- Intrinsically safe installations (Ex ia/IS)
- FM/CSA IS for Div. 1 installation only

Reduction of installation height

If this version is used, the installation height of the process connection is reduced compared to the dimensions of the standard version.

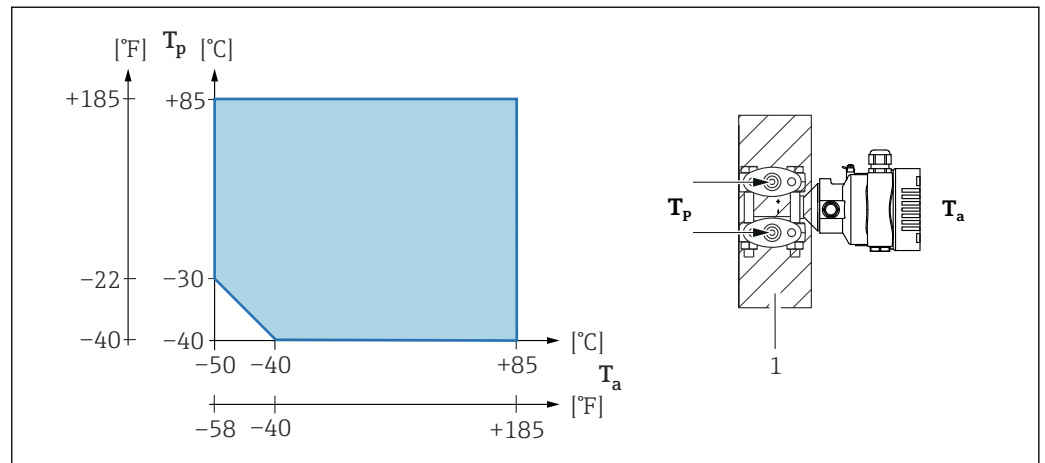
Environment

Ambient temperature range The following values apply up to a process temperature of +85 °C (+185 °F). At higher process temperatures, the permitted ambient temperature is reduced.

- Without LCD display:
Standard: -40 to +85 °C (-40 to +185 °F)
- With LCD display: -40 to +85 °C (-40 to +185 °F) with limitations in optical properties such as display speed and contrast. Can be used without limitations up to -20 to +60 °C (-4 to +140 °F)
- Separate housing: -20 to +60 °C (-4 to +140 °F)

Ambient temperature T_a depending on the process temperature T_p

The process connection must be fully insulated for ambient temperatures below -40 °C (-40 °F).



1 Insulation material

Hazardous area

- For measuring devices for use in hazardous areas, see Safety Instructions, Installation or Control Drawing
- Measuring devices with common explosion protection certificates (e.g. ATEX-/ IEC Ex, etc.) can be used in hazardous areas up to the ambient temperature.

Storage temperature

- Without LCD display: -40 to +90 °C (-40 to +194 °F)
- Without LCD display: -40 to +90 °C (-40 to +194 °F); optional -50 °C (-58 °F)
- With LCD display: -40 to +85 °C (-40 to +185 °F)
- Separate housing: -40 to +60 °C (-40 to +140 °F)

With M12 plug, elbowed: -25 to +85 °C (-13 to +185 °F)

Operating altitude Up to 5 000 m (16 404 ft) above sea level.

Climate class Class 4K4H (air temperature: -20 to +55 °C (-4 to +131 °F), relative humidity: 4 to 100 %) satisfied as per DIN EN 60721-3-4.
Condensation is possible.

Atmosphere **Operation in very corrosive environment**
Anodic corrosion protection can be ordered as a "mounted accessory".

Degree of protection Test as per IEC 60529 and NEMA 250-2014

Housing and process connection
IP66/68, TYPE 4X/6P
(IP68: (1.83 mH₂O for 24 h))

Cable entries

- Gland M20, plastic, IP66/68 TYPE 4X/6P
- Gland M20, brass nickel plated, IP66/68 TYPE 4X/6P
- Gland M20, 316L, IP66/68 TYPE 4X/6P
- Thread M20, IP66/68 TYPE 4X/6P
- Thread G1/2, IP66/68 TYPE 4X/6P
 - If the G1/2 thread is selected, the device is delivered with an M20 thread as standard and a G1/2 adapter is included with the delivery, along with the corresponding documentation
- Thread NPT1/2, IP66/68 TYPE 4X/6P
- Dummy plug transport protection: IP22, TYPE 2
- Plug HAN7D, 90 deg. IP65 NEMA Type 4X
- Plug M12
 - When housing is closed and connecting cable is plugged in: IP66/67 NEMA Type 4X
 - When housing is open or connecting cable is not plugged in: IP20, NEMA Type 1

NOTICE**Plug M12 and plug HAN7D: incorrect mounting can invalidate the IP protection class!**

- ▶ The degree of protection only applies if the connecting cable used is plugged in and screwed tight.
- ▶ The degree of protection only applies if the connecting cable used is specified according to IP67 NEMA Type 4X.
- ▶ The IP protection classes are only maintained if the dummy cap is used or the cable is connected.

Process connection and process adapter when using the separate housing*FEP cable*

- IP69 (on sensor side)
- IP66 TYPE 4/6P
- IP68 (1.83 mH₂O for 24 h) TYPE 4/6P

PE cable

- IP69 (on sensor side)
- IP66 TYPE 4/6P
- IP68 (1.83 mH₂O for 24 h) TYPE 4/6P

Vibration resistance**Single compartment housing**

Measuring range	Sine wave oscillation IEC 61298-3:2008	Shock
30 mbar (0.45 psi)	10 Hz to 60 Hz: ±0.21 mm (0.0083 in) 60 Hz to 2000 Hz: 3 g	30 g
0.1 to 160 bar (1.5 to 2 400 psi)	10 Hz to 60 Hz: ±0.35 mm (0.0138 in) 60 Hz to 1000 Hz: 5 g	30 g

Electromagnetic compatibility (EMC)

- Electromagnetic compatibility as per EN 61326 series and NAMUR recommendation EMC (NE21)
- With regard to the safety function (SIL), the requirements of EN 61326-3-x are satisfied
- Maximum deviation with interference influence: < 0.5% of span with full measuring range (TD 1:1)

For more details refer to the EU Declaration of Conformity.

Process

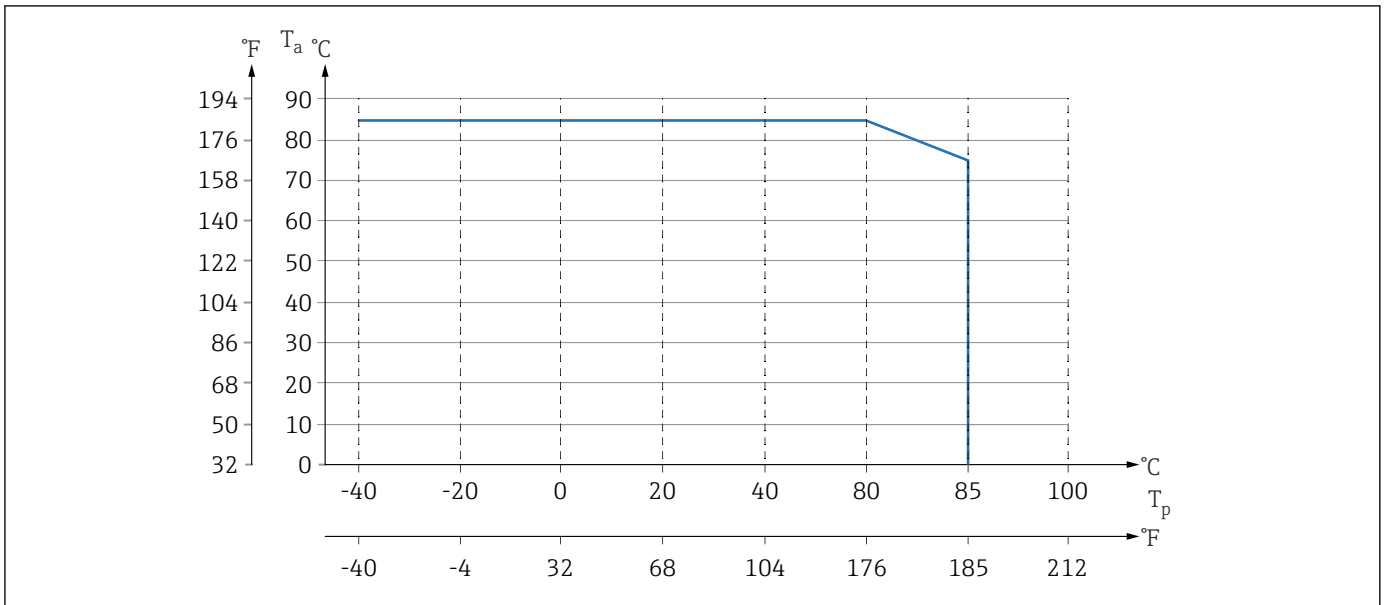
Process temperature range

NOTICE

The permitted process temperature depends on the process connection, the ambient temperature and the type of approval.

- ▶ All the temperature data in this document must be taken into consideration when selecting the measuring device.

Devices without a manifold



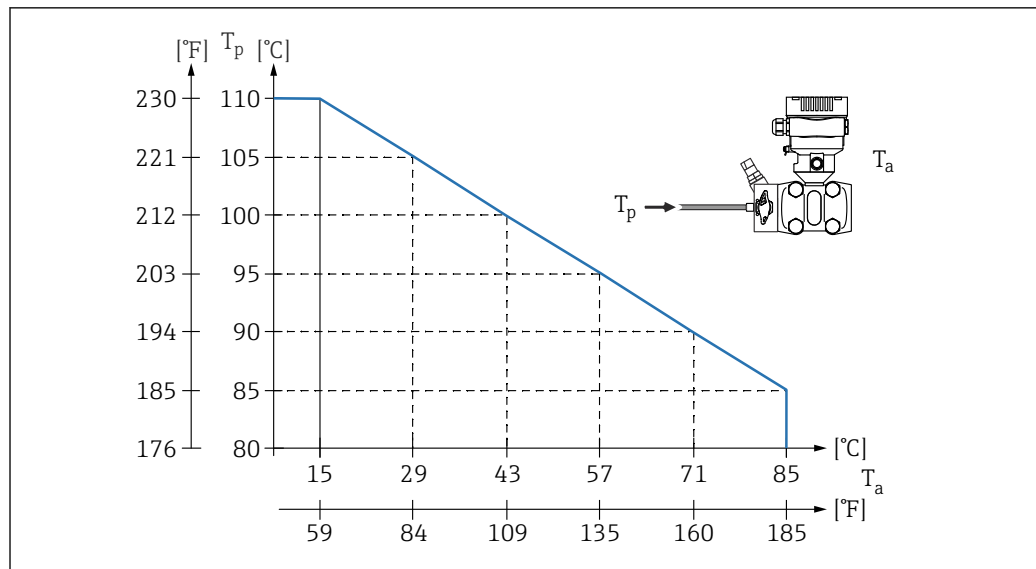
4 Values apply for vertical mounting without insulation.

T_p Process temperature
 T_a Ambient temperature

Devices with a manifold

The maximum permitted process temperature at the manifold is 110 °C (230 °F).

For process temperatures >85 °C (185 °F) where non-insulated side flanges are installed horizontally on a valve manifold, a reduced ambient temperature applies (see the following graphic).



A0043580

T_a Maximum ambient temperature at the manifold

T_p Maximum process temperature at the manifold

Oxygen applications (gaseous)

Oxygen and other gases can react explosively to oils, grease and plastics. The following precautions must be taken:

- All components of the plant, such as the measuring devices, must be cleaned according to national requirements.
- Depending on the materials used, a certain maximum temperature and a maximum pressure must not be exceeded for oxygen applications.

Cleaning of the measuring device (not device accessories) is offered as an optional service.

- p_{max} : 80 bar (1200 psi)
- T_{max} environment: 60 °C (140 °F)

Process temperature range (temperature at transmitter)

Measuring device without a manifold

- -40 to +85 °C (-40 to +185 °F)
- Pay attention to the process temperature range of the seal

Measuring device with a manifold

The maximum permitted process temperature at the manifold is 110 °C (230 °F) (limited by IEC standard).

For process temperatures >85 °C (185 °F) where non-insulated side flanges are installed horizontally on a valve manifold, a reduced ambient temperature applies up to a maximum ambient temperature calculated according to the following formula:

$$T_{Ambient_Temperature_max} = 85 \text{ °C} - 2.8 \cdot (T_{Process_Temperature} - 85 \text{ °C})$$

$$T_{Ambient_Temperature_max} = 185 \text{ °F} - 2.8 \cdot (T_{Process_Temperature} - 185 \text{ °F})$$

$$T_{Ambient_Temperature_max} = \text{maximum ambient temperature in °C or °F}$$

$$T_{Process_Temperature} = \text{process temperature at a manifold in °C or °F}$$

Process temperature range, seals

Process pressure range**Pressure specifications****⚠ WARNING**

The maximum pressure for the measuring device depends on the lowest-rated element with regard to pressure (components are: process connection, optional mounted parts or accessories).

- ▶ Only operate the measuring device within the prescribed limits of the components!
- ▶ MWP (maximum working pressure): The MWP is specified on the nameplate. This value refers to a reference temperature of +20 °C (+68 °F) and may be applied to the device for an unlimited time. Note temperature dependence of MWP. For flanges, refer to the following standards for the permitted pressure values at higher temperatures: EN 1092-1 (with regard to their stability/temperature property, the materials 1.4435 and 1.4404 are grouped together under EN 1092-1; the chemical composition of the two materials can be identical.), ASME B 16.5a, JIS B 2220 (the latest version of the standard applies in each case). MWP data that deviate from this are provided in the relevant sections of the Technical Information.
- ▶ The test pressure corresponds to the overpressure limit (OPL) of the overall system. This value refers to a reference temperature of +20 °C (+68 °F).
- ▶ The Pressure Equipment Directive (2014/68/EU) uses the abbreviation "PS". The abbreviation "PS" corresponds to the MWP (maximum working pressure) of the measuring device.
- ▶ In the case of sensor range and process connection combinations where the over pressure limit (OPL) of the process connection is smaller than the nominal value of the sensor, the device is set at the factory, at the very maximum, to the OPL value of the process connection. If the entire sensor range must be used, select a process connection with a higher OPL value (1.5 x PN; MWP = PN).
- ▶ Oxygen applications: do not exceed values for P_{max} and T_{max} .

Burst pressure**PN160**

- Measuring range: ≤40 bar (580 psi)
- Burst pressure: 690 bar (10 005 psi)

Applies for the process seal materials FKM, PTFE, FFKM, EPDM and for pressure applied on both sides

If the side vent valves option (sv) and the PTFE seal is selected, the burst pressure is 600 bar (8 700 psi)

PN250

- Measuring range: ≤40 bar (580 psi)
- Burst pressure: 1 600 bar (23 200 psi)

Applies for the process seal materials FKM, FFKM, EPDM and for pressure applied on both sides

If the side vent valves option (sv) is selected, the burst pressure is 690 bar (10 005 psi)

For the process seal material PTFE, the burst pressure is 1 250 bar (18 125 psi)

Ultrapure gas applications

Endress+Hauser also offers measuring devices for special applications, such as for ultrapure gas, which are cleaned from oil and grease. No special restrictions regarding the process conditions apply to these measuring devices.

Mechanical construction



For the dimensions, see the Product Configurator: www.endress.com

Search for product → Start configuration → after configuration, click "CAD"

The following dimensions are rounded values. For this reason, the dimensions may deviate from the values on www.endress.com.

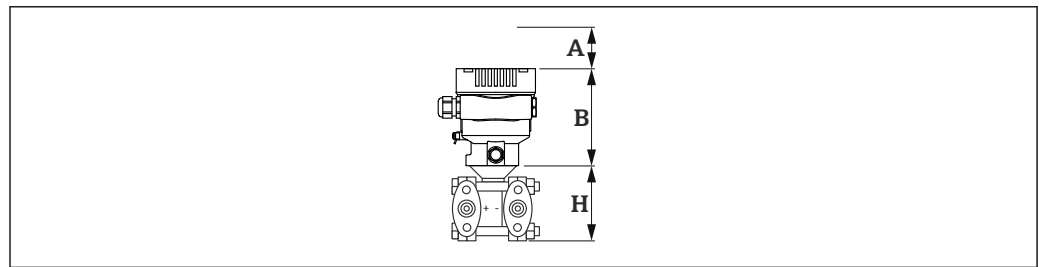
Design, dimensions

Device height

The device height is calculated from

- the height of the housing
- the height of the individual process connection

The individual heights of the components can be found in the following sections. To calculate the device height, add the individual heights of the components. Take the installation clearance into consideration (space that is used to install the device).

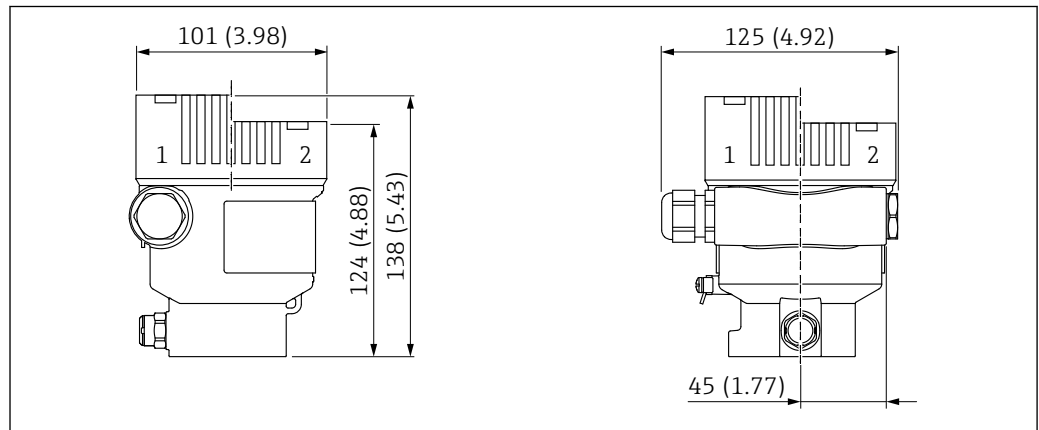


A0038376

- A Installation clearance
 B Height of the housing
 H Height of the sensor assembly

Dimensions

Single compartment housing

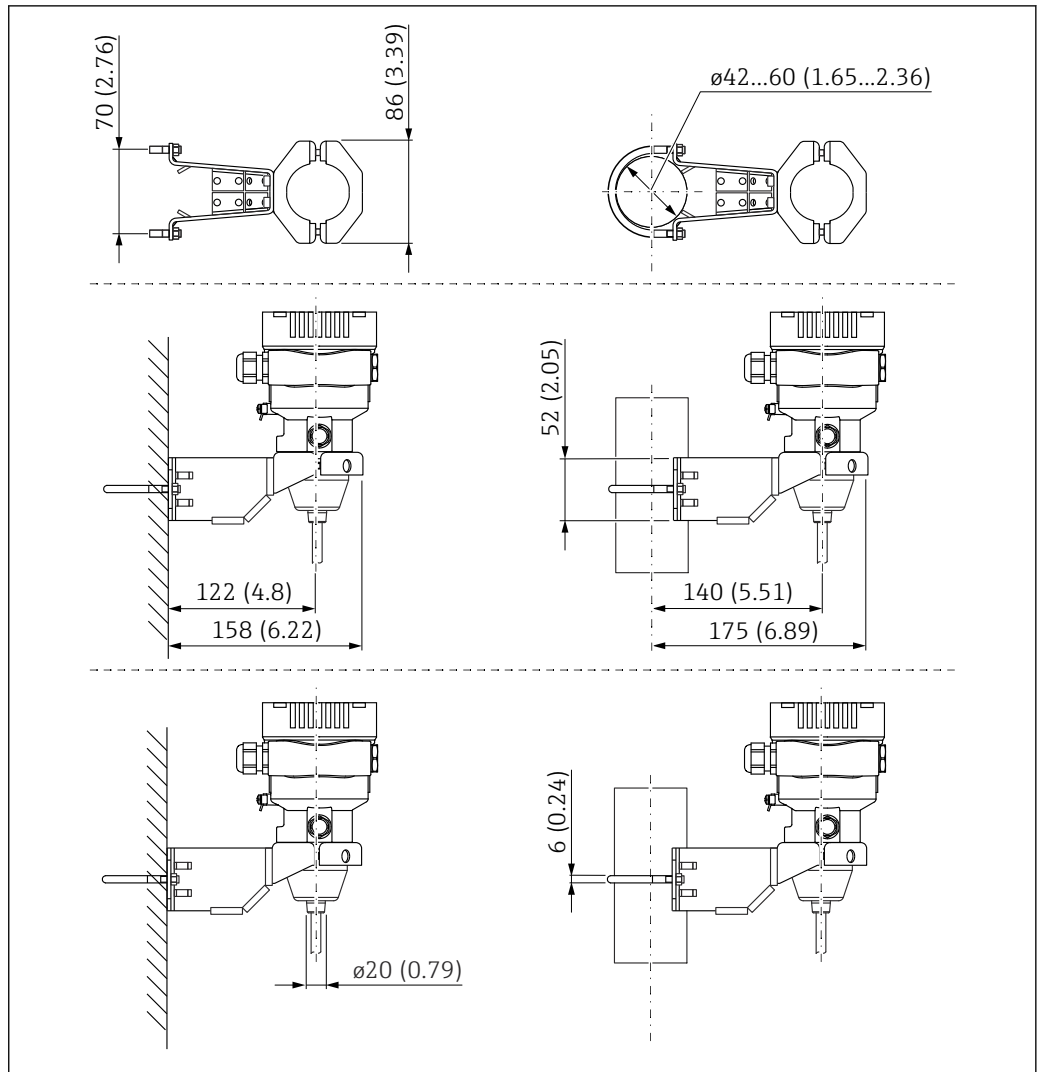


A0038380

Unit of measurement mm (in)

- 1 122 mm (4.80 in) height with cover with plastic viewing window; 138 mm (5.43 in) height with cover with glass viewing window (devices for Ex d, dust Ex)
 2 Cover without viewing window

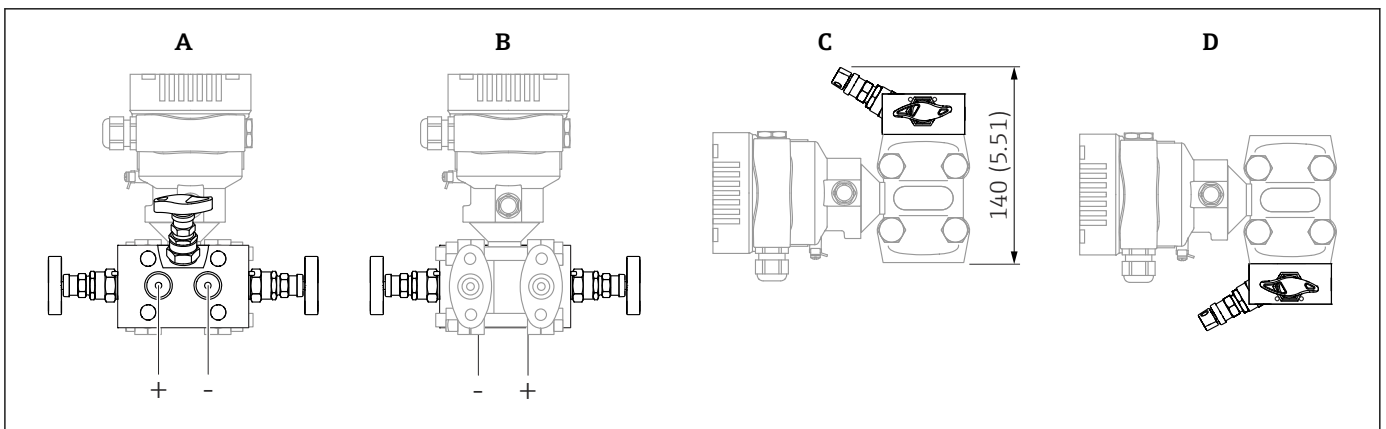
Sensor, remote (separate housing)



A0038214

Unit of measurement mm (in)

Mounted on manifold

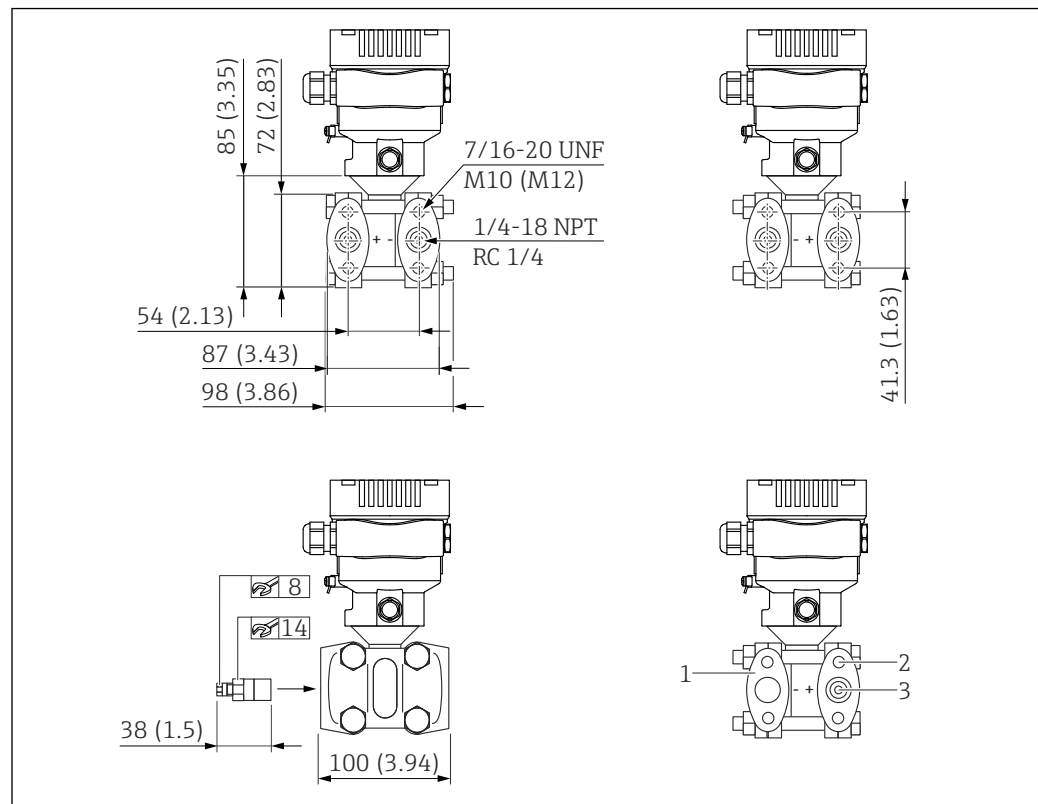


A0038641

Unit of measurement mm (in)

- A Mounted backside of manifold
- B Mounted frontside of manifold
- C Mounted bottom of manifold
- D Mounted top of manifold

Oval flange, connection 1/4-18 NPT or RC 1/4



5 Front view, left-hand side view, right-hand side view. Unit of measurement mm (in)

- 1 Blind flange
- 2 Thread depth: 15 mm (0.59 in)
- 3 Thread depth: 12 mm (0.47 in) (± 1 mm (0.04 in))

7/16-20 UNF

Connections including 2 vent valves:

- <PN 160: 1/4-18 NPT IEC 61518
- PN 160: M10
- PN 420: M12

7/16-20 UNF with blind flange on LP side (version with absolute pressure sensor or gauge pressure sensor)

Connections including vent valve:

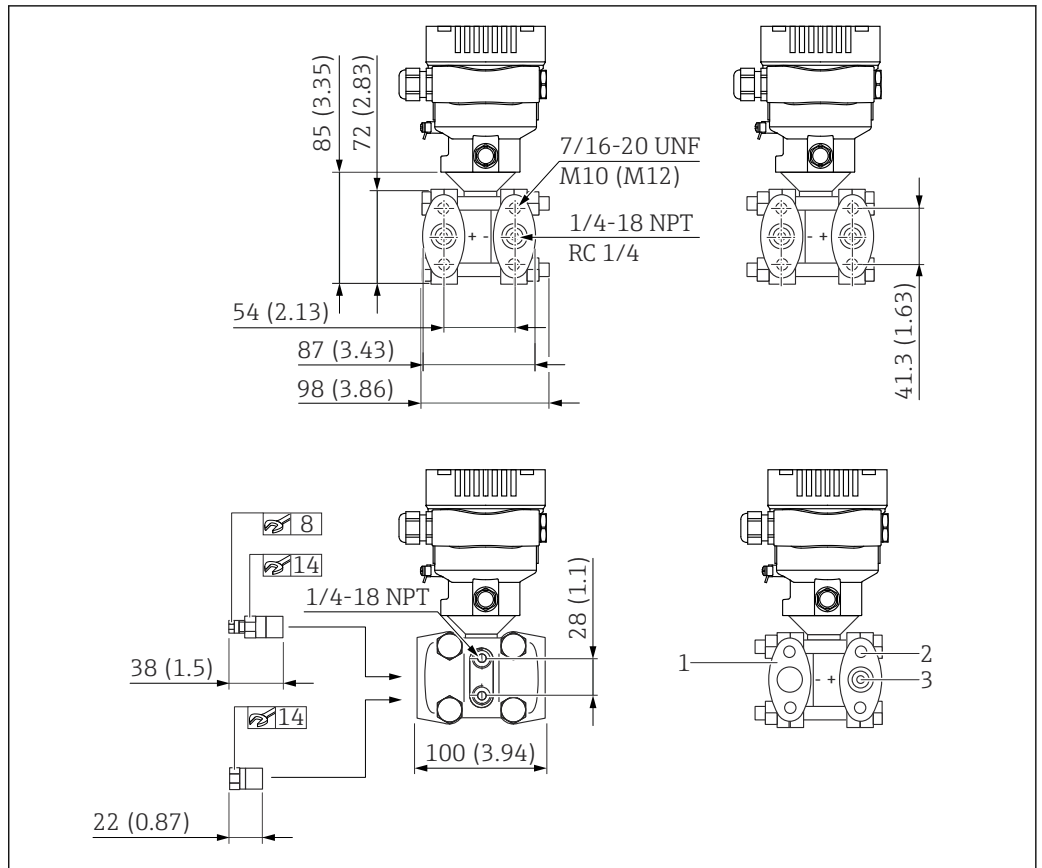
1/4-18 NPT IEC 61518

RC 1/4

Connections including 2 vent valves:

- <PN 160: 1/4-18 NPT IEC 61518
- PN 160: RC 1/4
- PN 420: RC 1/4

Oval flange, connection 1/4-18 NPT or RC 1/4, with side vent



6 Front view, left-hand side view, right-hand side view. Nuts are always located on the minus side. Unit of measurement mm (in)

- 1 blind flange
- 2 Thread depth: 15 mm (0.59 in)
- 3 Thread depth: 12 mm (0.47 in) (± 1 mm (0.04 in))

7/16-20 UNF

Connections including 4 locking screws and 2 vent valves:
1/4-18 NPT IEC 61518

7/16-20 UNF with blind flange on LP side (version with absolute pressure sensor or gauge pressure sensor)

Connections including vent valve:
1/4-18 NPT IEC 61518

RC 1/4

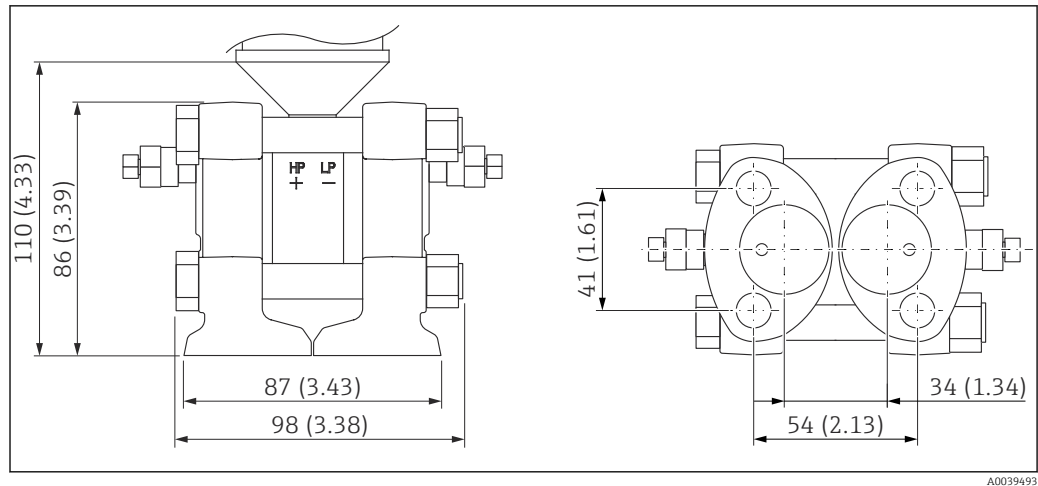
Connections including 4 locking screws and 2 vent valves:

- <PN 160: 1/4-18 NPT IEC 61518
- PN 160: RC 1/4
- PN 420: RC 1/4

Bottom process connection NPT1/4-18 coplanar compatible

For mounting on existing coplanar manifolds.

Seal is supplied, as per selected seal material.



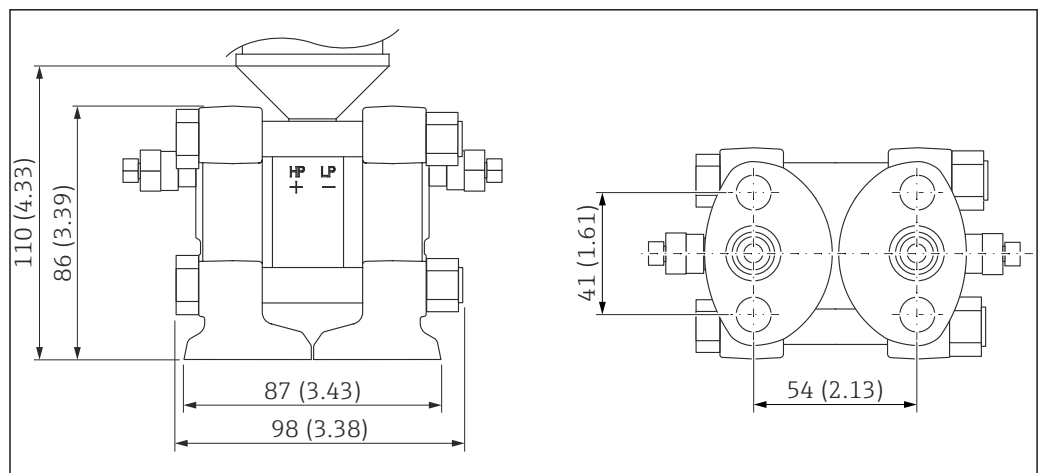
A0039493

Seal of sensor flange	Seal of coplanar process connection ¹⁾
PTFE	PTFE
FKM	FKM
EPDM	
FFKM	

1) Flange manifold: cannot be selected!

Bottom process connection, NPT1/4-18 IEC61518 UNF7/16-20

For mounting on IEC manifolds in an upright position.



A0039494

Weight

Housing

Weight including electronics and display.

- Single compartment housing: 1.1 kg (2.43 lb)
- Dual compartment housing
 - Aluminum: 1.4 kg (3.09 lb)
 - Stainless steel: 3.3 kg (7.28 lb)

Sensor, remote (separate housing)

- Housing: see the Housing section
- Housing adapter: 0.55 kg (1.21 lb)
- Process connection adapter: 0.36 kg (0.79 lb)
- Cable:
 - PE cable 2 meters: 0.18 kg (0.40 lb)
 - PE cable 5 meters: 0.35 kg (0.77 lb)
 - PE cable 10 meters: 0.64 kg (1.41 lb)
 - FEP cable 5 meters: 0.62 kg (1.37 lb)
- Mounting bracket: 0.46 kg (1.01 lb)

Process connections

- Process connections made of 316L: 3.2 kg (7.06 lb)
- Process connections made of Alloy C276: 3.5 kg (7.72 lb)

Ex d version: 0.63 kg (1.39 lb)

Accessories

Mounting bracket: 0.5 kg (1.10 lb)

Materials in contact with process**Membrane material**

- 316L (1.4435)
- Alloy C276

The flange raised face is made from the same material as the process isolating diaphragm.

Seal

- PTFE
- FKM
- EPDM

Process connections

NPT1/4-18 IEC61518 UNF7/16-20:

Side flange: AISI 316/316L (1.4408) / CF3M (cast equivalent to material AISI 316L)

NPT1/4-18 IEC61518 UNF7/16-20, Superduplex:

Side flange:

NPT1/4-18 DIN19213 M10:

Side flange: 316L

NPT1/4-18 DIN19213 M12:

Side flange: 316L

RC 1/4:

Side flange: AISI 316/316L (1.4408) / CF3M (cast equivalent to material AISI 316L)

NPT1/4-18 Coplanar compatible, Superduplex:

Side flange: 1.4469 (resistant to sea water, Super Duplex cast)

NPT1/4-18 Coplanar IEC:

- Side flange: 1.4469 (resistant to sea water, Super Duplex cast)
- Measuring cell body: 316L (1.4404)
- Screws: A4-70

Vent valves

Depending on process connection ordered:

- AISI 316L (1.4404)
- Alloy C22 (2.4602)

Locking screws

AISI 316L (1.4404), Alloy C22 (2.4602)

Accessories

For technical data (e.g. materials, dimensions or order numbers), see the accessory document SD01553P.

Materials not in contact with process**Single compartment housing and cover**

Polyester powder coating on aluminum as per EN1706 AC43400 (reduced copper content ≤ 0.1 % to prevent corrosion)

Dual compartment housing and cover

Polyester powder coating on aluminum as per EN1706 AC43400 (reduced copper content to prevent corrosion)

Separate housing

- Mounting bracket
 - Bracket: AISI 316L (1.4404)
 - Screw and nuts: A4-70
 - Half-shells: AISI 316L (1.4404)
- Seal for cable from separate housing: EPDM
- Gland for cable of separate housing: AISI 316L (1.4404)
- PE cable for separate housing: abrasion-proof cable with strain-relief Dynema members; shielded using aluminum-coated foil; insulated with polyethylene (PE-LD), black; copper wires, twisted, UV-resistant
- FEP cable for separate housing: abrasion-proof cable; shielded using galvanized steel wire netting; insulated with fluorinated ethylene propylene (FEP), black; copper cores, twisted, UV-resistant
- Process connection adapter for separate housing: AISI 316L (1.4404)

Aluminum housing nameplate

- Plastic adhesive label
- Versions that can be ordered for use at reduced ambient temperatures: metal wired-on tag plate made of 316L (1.4404)

Cable entries

- M20 gland:
 - Plastic, brass nickel plated or 316L (depends on version ordered)
 - Dummy plug made of plastic, aluminum or 316L (depends on version ordered)
- Thread M20:
 - Dummy plug made of aluminum or 316L (depends on version ordered)
- Thread G1/2:
 - Adapter made of aluminum or 316L (depends on version ordered)
 - If the G1/2 thread is selected, the device is delivered with an M20 thread as standard and a G1/2 adapter is included with the delivery, along with the corresponding documentation
- Thread NPT1/2:
 - Dummy plug made of aluminum or 316L (depends on version ordered)
- Plug M12:
 - CuZn nickel-plated or 316L (depends on version ordered)
 - Dummy plug made of aluminum or 316L (depends on version ordered)
- Plug HAN7D:
 - Aluminum, die-cast zinc, steel
 - Dummy plug made of aluminum or 316L (depends on version ordered)

Fill fluid

- Silicone oil
- Inert oil

Connecting parts

- Connection between housing and process connection: AISI 316L (1.4404)
- Screws and nuts
 - Hex.-headed bolt DIN 931-M12x90-A4-70
 - Hex.-headed nut DIN 934-M12-A4-70
- Screws and nuts
 - PN 160: hex.-headed bolt DIN 931-M12x90-A4-70
 - PN 160: hex.-headed nut DIN 934-M12-A4-70
 - PN 250, PN 320 and PN 420: hex.-headed bolt ISO 4014-M12x90-A4
 - PN 250, PN 320 and PN 420: hex.-headed nut ISO 4032-M12-A4-bs
- Measuring cell body: AISI 316L (1.4404)

- Setscrew: DIN 915 M 6x8 A2-70
- Bearing: DIN 5401 (1.3505)
- Side flanges: AISI 316/316L (1.4408) / CF3M (cast equivalent to material AISI 316L)

Accessories



For technical data (e.g. materials, dimensions or order numbers), see the accessory document SD01553P.

Human interface

Operating concept

Operator-oriented menu structure for user-specific tasks

- User navigation
- Diagnostics
- Application
- System

Fast and safe commissioning

- Interactive wizard with graphical user interface for guided commissioning in FieldCare, DeviceCare or DTM, AMS and PDM-based third-party tools or SmartBlue
- Menu guidance with brief descriptions of the individual parameter functions
- Standardized operation at the device and in the operating tools

Efficient diagnostics increase measurement availability

- Remedial measures are integrated in plain text
- Diverse simulation options

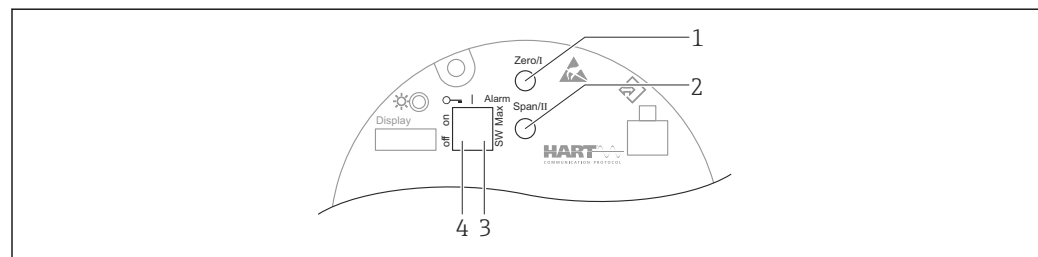
Bluetooth module (optionally integrated in onsite display)

- Quick and easy setup with SmartBlue App or PC with DeviceCare, version 1.07.00 and higher or FieldXpert SMT70
- No additional tools or adapters required
- Encrypted single point-to-point data transmission (tested by Fraunhofer Institute) and password-protected communication via *Bluetooth*® wireless technology

Local operation

Operating keys and DIP switches on the electronic insert

HART



A0039285

- 1 Operating key for lower range value (Zero)
- 2 Operating key for upper range value (Span)
- 3 DIP switch for alarm current
- 4 DIP switch for locking and unlocking the measuring device

 The setting of the DIP switches has priority over other operation methods (e.g. FieldCare/ DeviceCare).

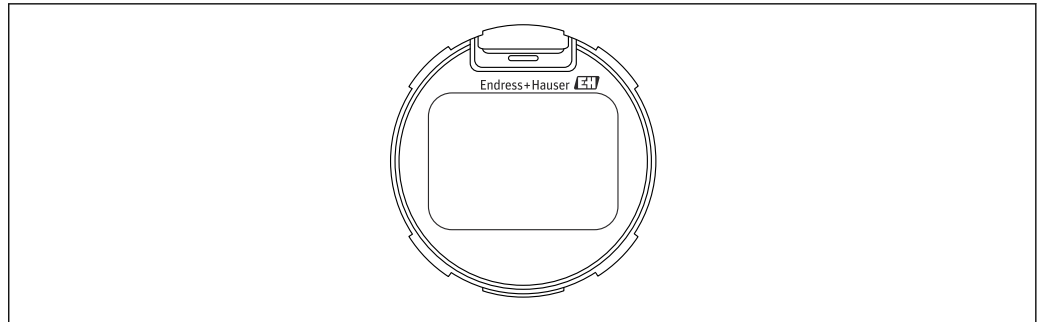
Local display

Device display (optional)

Functions:

Display of measured values and fault and notice messages

 The device displays are available with the additional option of Bluetooth® wireless technology.



A0043059

7 Segment display

Remote operation

Via HART protocol

Via service interface (CDI)

Operation via Bluetooth® wireless technology (optional)

Prerequisite

- Measuring device with Bluetooth display
- Smartphone or tablet with Endress+Hauser SmartBlue App or PC with DeviceCare, version 1.07.00 and higher, or FieldXpert SMT70

The connection range is up to 25 m (82 ft). The range can vary depending on ambient conditions such as fixtures, walls or ceilings.



The operating keys on the display are locked as soon as the device is connected via Bluetooth.

System integration


HART

Version 7

Supported operating tools

Smartphone or tablet with Endress+Hauser SmartBlue (App), DeviceCare version 1.07.00 and higher, FieldCare, DTM, AMS and PDM

Certificates and approvals

 Certificates, approvals and other documentation currently available can be accessed on the Endress+Hauser website: www.endress.com → Downloads.

CE mark The device meets the legal requirements of the relevant EC directives. Endress+Hauser confirms that the device has been successfully tested by applying the CE mark.

RCM-Tick marking The supplied product or measuring system meets the ACMA (Australian Communications and Media Authority) requirements for network integrity, interoperability, performance characteristics as well as health and safety regulations. Here, especially the regulatory arrangements for electromagnetic compatibility are met. The products bear the RCM-Tick marking on the nameplate.



A0029561

Ex approvals

- ATEX
- CSA (in preparation)
- NEPSI (in preparation)
- INMETRO (in preparation)
- KC (in preparation)
- EAC (in preparation)
- JPN (in preparation)
- Also combinations of different approvals

All the data related to explosion protection is provided in separate Ex documentation which is also available upon request. The Ex documentation is supplied as standard with all devices approved for use in explosion hazardous areas.

Additional approvals in preparation.

Explosion-protected smartphones and tablets

If used in hazardous areas, mobile end devices with an Ex approval must be used.

EAC conformity The measuring device meets the legal requirements of the applicable EAC Directives. These are listed in the corresponding EAC Declaration of Conformity along with the standards applied.

Endress+Hauser confirms successful testing of the measuring device by affixing to it the EAC mark.

Certificate of current Good Manufacturing Practices (cGMP) The certificate is available in English only and covers the following topics:

- Materials of construction of product wetted parts
- TSE compliance
- Polishing and surface finish
- Material/ compound compliance table e.g. USP Class VI, FDA conformity

Drinking water approval

- NSF/ANSI 61 drinking water approval
- KTW drinking water approval W 270

Overfill prevention (in preparation) The measuring device is tested in accordance with the approval guidelines for overfill protection units (ZG-ÜS:2012-07) as overfill protection as per Section 63 of the German Water Resources Act (WHG).

Functional safety SIL/ IEC 61508 Declaration of Conformity (optional) The measuring devices with a 4-20 mA output signal have been developed in accordance with the IEC 61508 standard. These measuring devices can be used to monitor the process level and pressure up to SIL 3. For a detailed description of the safety functions, settings and functional safety data, see the "Functional Safety Manual".

Marine approval (pending)	<ul style="list-style-type: none"> ■ ABS (American Bureau of Shipping) ■ LR (Lloyd's Register) ■ BV (Bureau Veritas) ■ DNV GL (Det Norske Veritas / Germanischer Lloyd)
Radio approval	Displays with Bluetooth LE have radio licenses according to CE and FCC. The relevant certification information and labels are provided on display.
CRN approval	A CRN approval (Canadian Registration Number) is available for some device versions. These devices are fitted with a separate plate bearing the registration number CRN 0F20813.5C. In order to obtain a CRN-approved device, a CRN-approved process connection must be ordered along with the option "CRN" in the order code for "Additional approvals".
Test reports	<p>Test, report, declarations</p> <ul style="list-style-type: none"> ■ Inspection certificate 3.1, EN10204 (material certificate, wetted metallic parts) ■ NACE MR0175 / ISO 15156 (wetted metallic parts), declaration ■ NACE MR0103 / ISO 17945 (wetted metallic parts), declaration ■ AD 2000 (wetted metal parts), declaration, excluding process isolating diaphragm ■ ASME B31.3 process piping, declaration ■ ASME B31.1 power piping, declaration ■ Pressure test, internal procedure, test report ■ Helium leak test, internal procedure, test report ■ PMI test, internal procedure (wetted metallic parts), test report ■ Welding documentation, wetted/pressurized seams, declaration <p>Test reports, declarations and inspection certificates are available in electronic format in the Device Viewer: enter the serial number of the nameplate (www.endress.com/deviceviewer).</p> <p>Applicable for the order codes "Calibration" and "Test, certificate" .</p> <p>Product documentation on paper</p> <p>Test reports, declarations and inspection certificates in hard copy can optionally be ordered with the order option "Product documentation on paper". These documents are supplied with the ordered product.</p> <p>Calibration</p> <p>5-point calibration certificate</p> <p>10-point calibration certificate, traceable to ISO/IEC 17025</p> <p>Manufacturer declarations</p> <p>Depending on the desired configuration, the following documents can be additionally ordered with the measuring device:</p> <ul style="list-style-type: none"> ■ FDA conformity ■ TSE-free: materials free from animal origin ■ Regulation (EC) No. 2023/2006 (GMP) <p><i>Downloading the Declaration of Conformity</i></p> <p>www.endress.com → Download</p>
Pressure Equipment Directive 2014/68/EU (PED)	<p>Pressure equipment with allowable pressure ≤ 200 bar (2 900 psi)</p> <p>Pressure equipment (with a maximum allowable pressure PS ≤ 200 bar (2 900 psi)) can be classified as pressure accessories in accordance with Pressure Equipment Directive 2014/68/EU. If the maximum allowable pressure is ≤ 200 bar (2 900 psi) and the pressurized volume of the pressure equipment is ≤ 0.1 l, the pressure equipment is subject to the Pressure Equipment Directive (cf. Pressure Equipment Directive 2014/68/EU, Article 4, point 3). The Pressure Equipment Directive only requires that the pressure equipment shall be designed and manufactured in accordance with the "sound engineering practice of a Member State".</p>

Reasons:

- Pressure Equipment Directive (PED) 2014/68/EU Article 4, point 3
- Pressure equipment directive 2014/68/EU, Commission's Working Group "Pressure", Guideline A-05 + A-06

Note:

A partial examination shall be performed for pressure instruments that are part of safety equipment for the protection of a pipe or vessel from exceeding allowable limits (safety accessory in accordance with Pressure Equipment Directive 2014/68/EU, Article 2, point 4).

Pressure equipment with allowable pressure > 200 bar (2 900 psi)

Pressure equipment designated for application in every process fluid having a pressurized volume of <0.1 l and a max. allowable pressure PS > 200 bar (2 900 psi) must satisfy the essential safety requirements set out in Annex I of the Pressure Equipment Directive 2014/68/EU. According to Article 13 pressure equipment shall be classified by category in accordance with Annex II. Taking into account the low pressurized volume discussed above, the pressure devices are classed as category I pressure equipment. These devices must then bear the CE marking.

Reasons:

- Pressure Equipment Directive 2014/68/EU, Article 13, Annex II
- Pressure equipment directive 2014/68/EU, Commission's Working Group "Pressure", Guideline A-05

Note:

A partial examination shall be performed for pressure instruments that are part of safety equipment for the protection of a pipe or vessel from exceeding allowable limits (safety accessory in accordance with Pressure Equipment Directive 2014/68/EU, Article 2, point 4).

Oxygen application	Verified cleaned, suitable for O ₂ service (wetted parts)
PWIS-free applications	Special cleaning of the transmitter to remove paint-wetting impairment substances, for use in paint shops, for instance.
China RoHS symbol	The measuring device is visibly identified according to SJ/T 11363-2006 (China-RoHS).
RoHS	The measuring system complies with the substance restrictions of the Restriction on Hazardous Substances Directive 2011/65/EU (RoHS 2).
Additional certification	<p>Classification of process sealing between electrical systems and (flammable or combustible) process liquids in accordance with UL 122701 (previously ANSI/ISA 12.27.01)</p> <p>Endress+Hauser devices are designed according to UL 122701 (previously ANSI/ISA 12.27.01) and allow the user to waive the use of - and save the cost of installing - external secondary process seals in the conduit as required by the process sealing sections of ANSI/NFPA 70 (NEC) and CSA 22.1 (CEC). These devices comply with the North-American installation practice and provide a very safe and cost-saving installation for pressurized applications with hazardous process media. The devices are assigned to "single seal" as follows:</p> <p>CSA C/US IS, XP, NI:</p> <p>250 bar (3 750 psi)</p> <p>Further information can be found in the control drawings of the relevant devices.</p> <p>Metrological accreditation</p> <p>With the order option "China", the measuring device is supplied with a Chinese nameplate in accordance with the Chinese Quality Law.</p>

Ordering information

Ordering information

Detailed ordering information is available from your nearest sales organization www.addresses.endress.com or in the Product Configurator under www.endress.com :

1. Click Corporate
2. Select the country
3. Click Products
4. Select the product using the filters and search field
5. Open the product page

The Configuration button opens the Product Configurator.



Product Configurator - the tool for individual product configuration

- Up-to-the-minute configuration data
- Depending on the device: Direct input of measuring point-specific information such as measuring range or operating language
- Automatic verification of exclusion criteria
- Automatic creation of the order code and its breakdown in PDF or Excel output format
- Ability to order directly in the Endress+Hauser Online Shop

Scope of delivery

The scope of delivery comprises:

- Measuring device
- Optional accessories

Documentation supplied:

- Brief Operating Instructions
- Final inspection report
- Additional safety instructions for devices with approvals (e.g. ATEX, IECEx, NEPSI, etc.)
- Optional: factory calibration form, test certificates



The Operating Instructions are available on the Internet at:

www.endress.com → Download

Measuring point (tag)

- Order code: marking
- Option: Z1, tagging (TAG), see additional specification
- Location of tag identifier: to be selected in the additional specifications
 - Tag plate, stainless steel
 - Self-adhesive paper label
 - Supplied plate
 - RFID TAG
 - RFID TAG + tag plate stainless steel
 - RFID TAG + self-adhesive paper label
 - RFID TAG + supplied label/plate
- Definition of tag name: to be defined in the additional specifications
3 lines, each containing up to maximum 18 characters
The specified tag name appears on the selected label and/or the RFID TAG
- Identification on electronic nameplate (ENP): 32 digits

Accessories

Device-specific accessories

Mechanical accessories

- Mounting bracket for housing
- Mounting bracket for manifolds
- Manifolds
- Oval flange adapter
- Calibration adapter 5/16"-24 UNF, to screw into vent valves
- Weather protection covers



For technical data (e.g. materials, dimensions or order numbers), see the accessory document SD01553P.

Plug connectors

- Plug connector M12 90 deg, IP67 5m cable, union nut, Cu Sn/Ni
- Plug connector M12, IP67 union nut, Cu Sn/Ni
- Plug connector M12, 90 deg IP67 union nut, Cu Sn/Ni



The IP protection classes are only maintained if the dummy cap is used or the cable is connected.

Weld-in accessory



For details, refer to TI00426F/00/EN "Weld-in adapters, process adapters and flanges".

Device Viewer

All the accessories for the measuring device, along with the order code, are listed in the *Device Viewer* (www.endress.com/deviceviewer).

Supplementary documentation



For an overview of the scope of the associated Technical Documentation, refer to the following:

- *Device Viewer* (www.endress.com/deviceviewer): Enter the serial number from the nameplate
- *Endress+Hauser Operations App*: Enter the serial number from the nameplate or scan the 2D matrix code (QR code) on the nameplate

Standard documentation

- **Technical Information: planning guide**
The document contains all the technical data on the device and provides an overview of the accessories and other products that can be ordered for the device
- **Brief Operating Instructions: takes you quickly to the 1st measured value**
The Brief Operating Instructions contain all the essential information from incoming acceptance to initial commissioning
- **Operating Instructions: reference manual**
The Operating Instructions contain all the information that is required in the various phases of the life cycle of the device: from product identification, incoming acceptance and storage, to mounting, connection, operation and commissioning through to troubleshooting, maintenance and disposal

Supplementary device-dependent documentation

Additional documents are supplied depending on the device version ordered: Always comply strictly with the instructions in the supplementary documentation. The supplementary documentation is an integral part of the device documentation.

Field of Activities



Document FA00004P

Pressure measurement, powerful instruments for process pressure, differential pressure, level and flow

Special Documentation



Document SD01553P

Mechanical accessories for pressure measuring devices

The documentation provides an overview of available manifolds, oval flange adapters, pressure gauge valves, shutoff valves, siphons, condensate pots, cable shortening kits, test adapters, flushing rings, Block&Bleed valves and protective roofs.

Registered trademarks

HART®

Registered trademark of the FieldComm Group, Austin, Texas, USA

Bluetooth®

The Bluetooth® wordmark and logos are registered trademarks of Bluetooth SIG, Inc. and any use of these trademarks by Endress+Hauser is licensed. Other trademarks and trade names are those of their respective owners.





www.addresses.endress.com
