



—
your partner
in sensor
technology.

+ Datasheet EE650

Air Velocity Sensor for HVAC Applications



EE650

Air Velocity Sensor for HVAC Applications

The EE650 air velocity sensor is dedicated for accurate and reliable measurement in building automation and ventilation applications.

Innovative Design

The device employs an innovative air velocity sensing element, which operates on the thermal anemometer principle and is manufactured by E+E in state of the art thin-film technology. Due to its innovative design, the sensing element is very robust and highly insensitive to pollution, which leads to outstanding long-term performance.

User Configuration

For the EE650 with analogue output, the measuring range 0...10/15/20 m/s (0...2000/3000/4000 ft/min), the output signal 4 - 20 mA or 0 - 10 V as well as the response time 1 or 4 seconds are selectable by jumpers.

The response time, the termination resistor and the bus address of the Modbus RTU and BACnet MS/TP versions can also be easily set on the electronics board.

Installation and Adjustment

The enclosure design and the mounting flange included in the scope of supply allow for fast and easy installation.

EE650 adjustment, output scale setting and interface parameter selection can be easily performed using the free EE-PCS product configuration software and an optional adapter cable.



EE650 for duct mounting



EE650 with remote probe

Features

Bayonet Screws

- Open/closed with a ¼ rotation

Appropriate for US mounting requirements

- Knock-out for ½" conduit fitting

External mounting holes

- Mounting with a closed cover
- Electronics protected against construction site pollution

Configuration and Adjustment

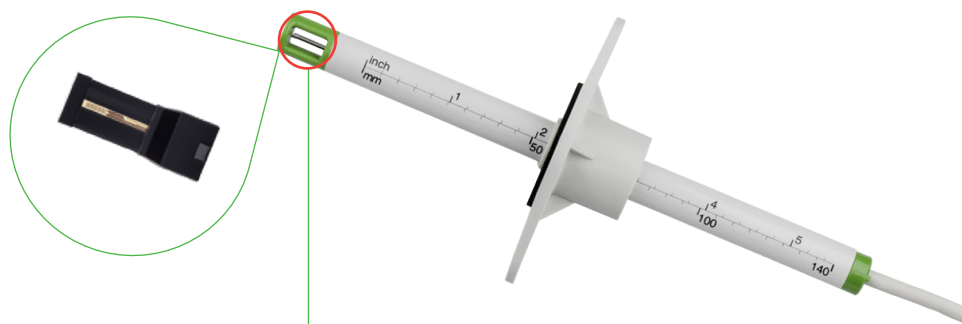
- Measuring range
- Output signal
- Response time
- Bus address
- Termination resistor

Enclosure

- IP65 / NEMA 4

Electronics on the underside of the PCB

- Protection against mechanical damage during installation



E+E air velocity sensing element

- Exceptional mechanical stability thanks to transfer-moulding technology
- High insensitivity to pollution
- Long-term stable
- Measurement down to 0.2 m/s (40 ft/min)

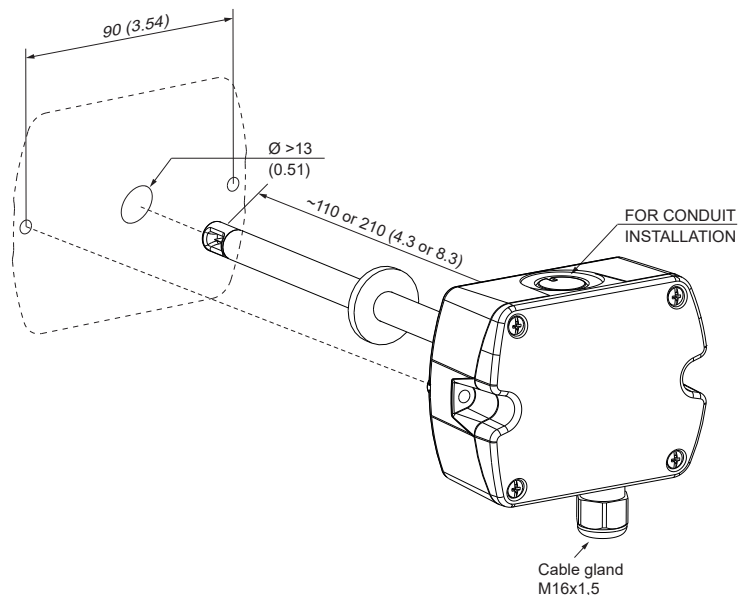
Test report

according to DIN EN 10204-2.2

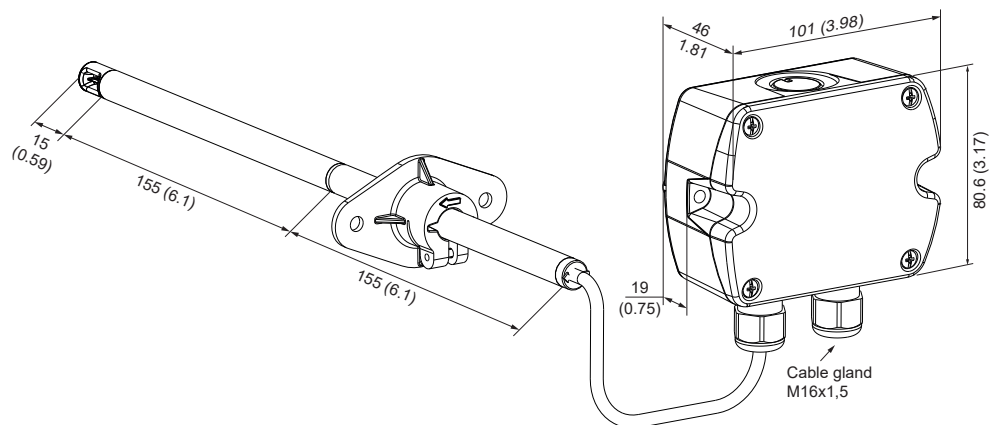
Dimensions

Values in mm (inch)

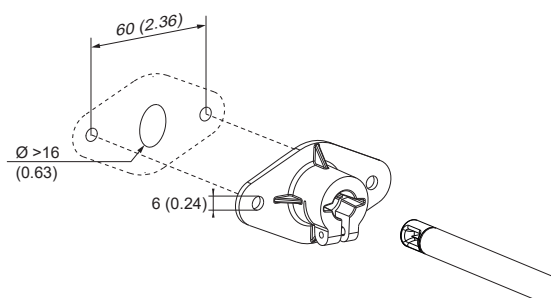
Duct mount



Remote probe



Mounting flange



Technical Data

Measurands

Air Velocity (v)

Measuring range	0...10 m/s (0...2000 ft/min) 0...15 m/s (0...3000 ft/min) 0...20 m/s (0...4000 ft/min) (factory setting)
Accuracy¹⁾ from 0.2 m/s, @ 20 °C (68 °F), 45 %RH and 1013 hPa (14.7 psi)	± (0.2 m/s (40 ft/min) + 3 % of m. v.) mv = measured value
Response time t₉₀ , typ. @constant temperature, selectable via jumpers, only for analogue output	4 s (factory setting) down to 1 s

1) The accuracy statement includes the uncertainty of the factory calibration with an enhancement factor k=2 (2-times standard deviation).
The accuracy was calculated in accordance with EA-4/02 and with regard to GUM (Guide to the Expression of Uncertainty in Measurement).

Outputs

Analogue




Air velocity v measuring range selectable via jumpers, only for analogue output	0 - 10 V 4 - 20 mA (3-wire, factory setting)	$0 < I_L < 1 \text{ mA}$ $R_L \leq 500 \Omega$	$I_L = \text{load current}$ $R_L = \text{load resistance}$
---	---	---	---

Digital

Digital interface	RS485 (EE650 = 1 unit load)
Protocol Factory settings Supported Baud rates Measured data types	Modbus RTU 9600 Baud, parity even, 1 stop bit, Modbus address 65 9600, 19200 and 38400 FLOAT32 and INT16
Protocol Factory settings Supported Baud rates	BACnet MS/TP BACnet address 65 9600, 19200, 38400, 57600 and 76800

Technical Data

General

Power supply class III  USA & Canada: Class 2 supply necessary	24 V DC ±20 %		
Current consumption, max.	AC supply	DC supply	
	Analogue output	170 mA	70 mA
	RS485	120 mA	50 mA
Electrical connection	Screw terminals max. 1.5 mm ² (AWG 16)		
Cable gland	M16x1.5		
Humidity working range	5...95 %RH, non-condensing		
Temperature working range	Probe	-25...+50 °C (-13...+122 °F)	
	Electronics	-10...+50 °C (14...122 °F)	
	Storage	-30...+60 °C (-22...+140 °F)	
Enclosure material	Polycarbonate (PC), UL94V-0 approved		
Protection rating	Enclosure	IP65/NEMA 4X	
	Remote probe	IP20	
Electromagnetic compatibility	EN 61326-1 FCC Part15 Class A	EN 61326-2-3 ICES-003 Class A	Industrial environment
Conformity	 		

Ordering Guide

Feature	Description	Code		
Hardware Configuration		EE650-		
	Type	Duct mount	T2	
		Remote probe		T3
	Output	4 - 20 mA (changeable to 0 - 10 V via jumper)	A6	A6
		RS485	J3	J3
	Probe length	100 mm (3.94")	L100	
		200 mm (7.87")	L200	
		300 mm (11.81") (2 x 150 mm) (2 x 5.91")		L300
	Probe cable length	Not applicable	No code	
		1 m (3.3 ft)		K1
2 m (6.6 ft)			K2	
5 m (16.4 ft)			K5	
10 m (32.8 ft)			K10	
Dig. Interface	Protocol	Modbus RTU ¹⁾	P1	
		BACnet MS/TP ²⁾	P3	
	Baud rate	9600	BD5	
		19200	BD6	
		38400	BD7	
		57600 (BACnet MS/TP only)	BD8	
76800 (BACnet MS/TP only)	BD9			

1) Factory setting: parity even, 1 stop bit, Modbus Map see User Manual at www.epluse.com/ee650

2) BACnet MS/TP Product Implementation Conformance Statement (PICS) available at www.epluse.com/ee650

Order Examples

EE650-T2J3L200P1BD5

Feature	Code	Description
Type	T2	Duct mount
Output	J3	RS485
Probe length	L200	200 mm (7.87")
Protocol	P1	Modbus RTU
Baud rate	BD5	9600

EE650-T3A6L300K2

Feature	Code	Description
Type	T3	Remote probe
Output	A6	4 - 20 mA
Probe length	L300	300 mm (11.81") (2 x 150 mm) (2 x 5.91")
Probe cable length	K2	2 m (6.6 ft)

Accessories

For further information see datasheet [Accessories](#).

Accessories	Code
USB configuration adapter	HA011066
E+E Product Configuration Software (free download: www.epluse.com/configurator)	EE-PCS
Power supply adapter	V03



Company Headquarters &
Production Site

E+E Elektronik Ges.m.b.H.
Langwiesen 7
4209 Engerwitzdorf | Austria
T +43 7235 605-0
F +43 7235 605-8
info@epluse.com
www.epluse.com

Subsidiaries

E+E Sensor Technology (Shanghai) Co., Ltd.
T +86 21 6117 6129
info@epluse.cn

E+E Elektronik France SARL
T +33 4 74 72 35 82
info.fr@epluse.com

E+E Elektronik Deutschland GmbH
T +49 6171 69411-0
info.de@epluse.com

E+E Elektronik India Private Limited
T +91 990 440 5400
info.in@epluse.com

E+E Elektronik Italia S.R.L.
T +39 02 2707 86 36
info.it@epluse.com

E+E Korea Co., Ltd.
T +82 31 732 6050
info.kr@epluse.com

E+E Elektronik Corporation
T +1 847 490 0520
info.us@epluse.com

Version v2.1 | 02-2023
Modification rights reserved



—
your partner
in sensor
technology.

www.epluse.com