

U500w Ultrasonic Meter

Cold Water Stainless Steel Meter, 1-1/2 and 2 inch
NSF/ANSI Standard 61 Certified, Annex G

DESCRIPTION

The U500w Ultrasonic meter uses solid-state technology in a compact, totally encapsulated, weatherproof, and UV-resistant housing, suitable for building and property management submetering applications. Electronic metering provides information—such as rate of flow and reverse flow indication—and data not typically available through traditional, mechanical meters and registers. Electronic metering eliminates measurement errors due to sand, suspended particles and pressure fluctuations.

The U500w 1-1/2 and 2 inch meters feature:

- Minimum extended low-flow rate lower than typical positive displacement meters.
- Simplified one-piece electronic meter and register that are integral to the meter body and virtually maintenance free.
- Sealed, non-removable, tamper-protected meter and register.
- Easy-to-read, 9-digit LCD display presents consumption, rate of flow, reverse-flow indication, and alarms.
- Battery powered—eliminates wiring.
- Compatible with AquaCUE[®] Flow Measurement Manager.

The U500w meter is available with an in-line connector for easy connection and installation to AquaCUE connectors.

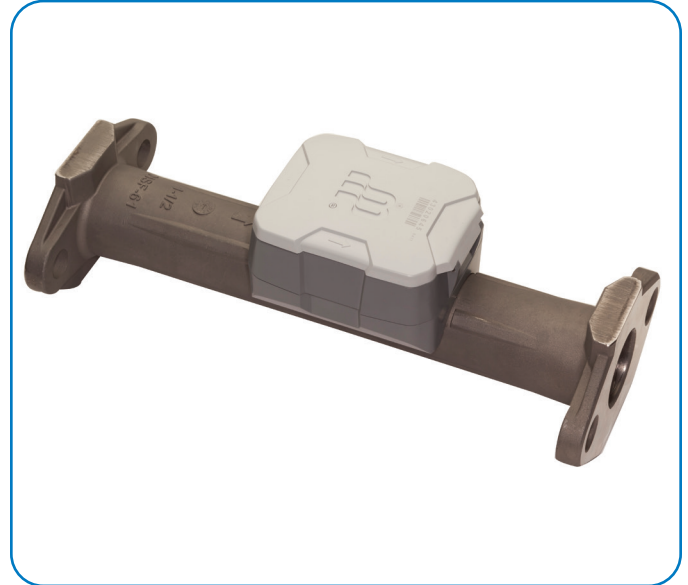
APPLICATIONS

Use the U500w meter for measuring potable cold water in building/property management and industrial applications. The meter is also ideal for non-potable, reclaimed irrigation water applications or less than optimum water conditions where small particles exist.

The U500w meter complies with applicable portions of ANSI/AWWA Standard C700 and NSF/ANSI Standard 61, Annex G. There is currently no AWWA standard that specifically addresses ultrasonic meters for residential applications.

OPERATION AND PERFORMANCE

As water flows into the measuring tube, ultrasonic signals are sent consecutively in forward and reverse directions of flow. Velocity is then determined by measuring the time difference between the measurement in the forward and reverse directions. Total volume is calculated from the measured flow velocity using water temperature and pipe diameter. The LCD display shows total volume and alarm conditions and can toggle to display rate of flow.



In the normal temperature range of 45...85° F (7...29° C), the U500w “new meter” consumption measurement is accurate to:

- $\pm 1.5\%$ over the normal flow range
- $\pm 3.0\%$ from the extended low flow range to the minimum flow value

CONSTRUCTION

The U500w meters feature a stainless steel, lead-free meter housing, an engineered polymer and stainless steel metering insert, a meter-control circuit board with associated wiring, LCD, and battery. Wetted elements are limited to the pressure vessel, the polymer/stainless steel metering insert and the transducers. The electronic components are housed and fully potted within a molded, engineered polymer enclosure, which is permanently attached to the meter housing. The transducers extend through the stainless steel housing and are sealed by O-rings.

The metering insert holds the stainless steel ultrasonic reflectors in the center of the flow area, enabling turbulence-free water flow through the tube and around the ultrasonic signal reflectors. The metering insert's patented design virtually eliminates chemical buildup on the reflectors, ensuring long-term metering accuracy.

METER INSTALLATION

The meter is completely submersible and can be installed using horizontal or vertical piping, with flow in the up direction. The meter will not measure flow when an “empty pipe” condition is experienced. An empty pipe is defined as a condition that occurs when the pipe is partially full.

SPECIFICATIONS

U500w Ultrasonic Meter Size	1.5 in. (40 mm)	2 in. (50 mm)
Operating Range	1.25...100 gpm (4.7...378 lpm)	1.5...160 gpm (5.7...606 lpm)
Extended Low-Flow Rate	0.40 gpm (1.5 lpm)	0.50 gpm (1.9 lpm)
Maximum Continuous Operation	100 gpm (378 lpm)	160 gpm (606 lpm)
Pressure Loss at Maximum Flow	3.8 psi (0.26 bar)	5.2 psi (0.36 bar)
Reverse Flow – Maximum Rate	12 gpm (45 lpm)	18 gpm (68 lpm)
Operating Performance	In the normal temperature range of 45...85° F (7...29° C), new meter consumption measurement is accurate to: <ul style="list-style-type: none"> • ±1.5% over the normal flow range • ±3.0% from the extended low flow range to the minimum flow value 	
Storage Temperature	– 40...140° F (– 40...60° C)	
Maximum Ambient Storage (Storage for One Hour)	150° F (72° C)	
Measured-Fluid Temperature Range	34...140° F (1...60° C)	
Humidity	0...100% condensing; meter is capable of operating in fully submerged environments	
Maximum Operating Pressure of Meter Housing	175 psi (12 bar)	
Register Type	Straight reading, permanently sealed electronic LCD; digits are 0.28 in. (7 mm) high	
Register Display	<ul style="list-style-type: none"> • Consumption (up to nine digits) • Rate of flow (US gallons per minute or cubic meters per hour) • Alarms • Unit of measure factory programmed for gallons, cubic feet and cubic meters 	
Register Capacity	<ul style="list-style-type: none"> • 100,000,000 gallons • 10,000,000 cubic feet • 1,000,000 cubic meters 	
Totalization Display Resolution	<ul style="list-style-type: none"> • Gallons: 0.X • Cubic feet: 0.XX • Cubic meters: 0.XXX 	
Battery	3.6-volt lithium thionyl chloride; battery is fully encapsulated within the register housing and is not replaceable; 20-year battery life	

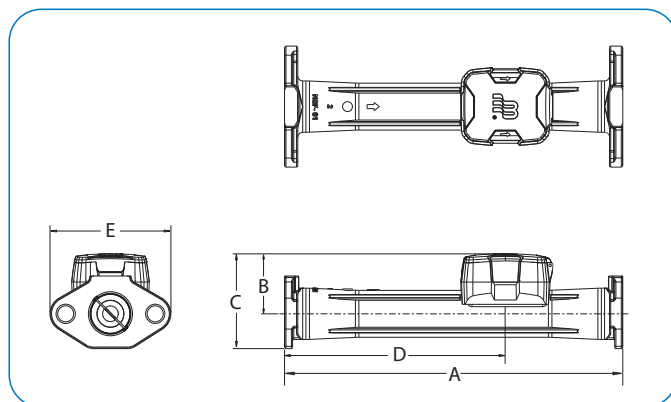
MATERIALS

Meter Housing	316 stainless steel
Measuring Element	Pair of ultrasonic sensors located in the flow tube
Register Housing & Lid	Engineered polymer
Metering Insert	Engineered polymer & stainless steel
Transducers	Piezo-ceramic device with wetted surface of stainless CrNiMo

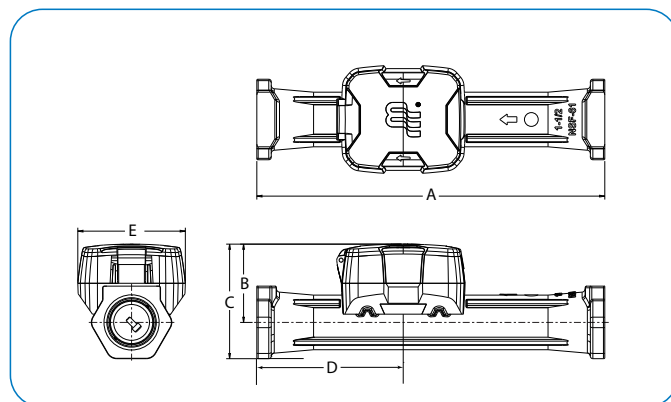
PHYSICAL DIMENSIONS

U500w Ultrasonic Meter Size	1.5 in. (40 mm)	1.5 in. (40 mm)	2 in. (50 mm)	2 in. (50 mm)
Housing	Elliptical	HEX	Elliptical	HEX
Size Designation X Lay Length	1.5 x 13 in. (40 x 330 mm)	1.5 x 12.62 in. (40 x 320 mm)	2 x 17 in. (50 x 431 mm)	2 x 15.25 in. (50 x 387 mm)
Weight (without AMR)	8.2 lb (3.7 kg)	6.5 lb (2.9 kg)	11.9 lb (5.4 kg)	8.9 lb (4 kg)
See illustration below for Measurement Designations.				
Length (A)	13 in. (330 mm)	12.62 in. (320 mm)	17 in. (431 mm)	15.25 in. (387 mm)
Height (B)	2.80 in. (71 mm)	2.84 in. (72 mm)	3.01 in. (76 mm)	3.06 in. (78 mm)
Height (C)	4.55 in. (116 mm)	4.15 in. (105 mm)	4.76 in. (121 mm)	4.68 in. (119 mm)
Length (D)	7.10 in. (180 mm)	5.31 in. (135 mm)	11.10 in. (282 mm)	5.05 in. (128 mm)
Width (E)	5.50 in. (140 mm)	3.90 in. (99 mm)	6.08 in. (154 mm)	3.90 in. (99 mm)
Bore Size	1.5 in. (40 mm)	1.5 in. (40 mm)	2 in. (51 mm)	2 in. (51 mm)
Two-Bolt Elliptical Flange (AWWA)	1.5 in. (40 mm)	—	2 in. (51 mm)	—
Companion Flange	1.5 in. (40 mm)	—	2 in. (51 mm)	—
Internal Thread Size	—	1.5 in. NPT	—	2 in. NPT

Elliptical Measurement Designations

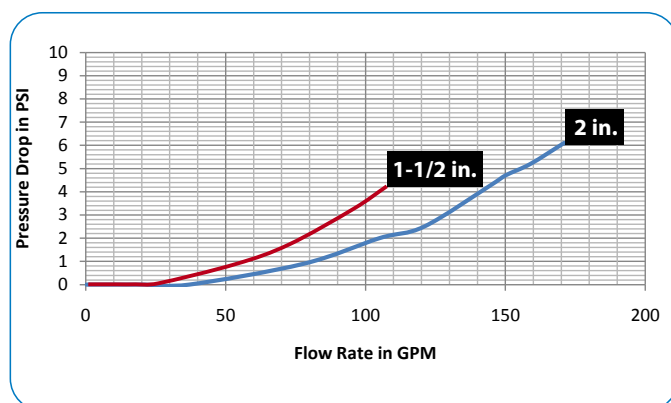


HEX Measurement Designations



PRESSURE LOSS CHART

Rate of Flow in Gallons Per Minute (GPM)



PART NUMBERS

Dynasonics	UB	-		-		-		-	X	-	E5	-	CA	-	1	-		-		-	Y2	-	XX	TF	-	XX	-	B0A
U500w Ultrasonic Meters																												
PRODUCT TYPE	Stainless Steel Meter																											
	UB																											
METER TYPE																												
	1-1/2 in. Elliptical (1-1/2 x 13)																											
	1-1/2 in. Hex (1-1/2 x 12-5/8)																											
	2 in. Elliptical (2 x 17 in.)																											
	2 in. Hex (2 x 15-1/4 in.)																											
WATER APPLICATION																												
	Potable Water																											
	Reclaimed Water																											
CONNECTIONS / GASKETS																												
	NL Elliptical 316 SS HW - Drop In Gasket (Elliptical Meter Type)																											
	NL Straight - Thick Washers (Hex Meter Type)																											
ACCESSORIES																												
	None																											
REGISTRATION																												
	Encoder																											
TECHNOLOGY																												
	Meter with Cable (No Endpoint)																											
REGISTRATION FACE																												
	Standard																											
UNIT OF MEASURE / DIAL RESOLUTION OUTPUT / VISUAL BILLING UNITS																												
	9 Dial - 0.1 Gallon, GPM, 1000																											
	9 Dial - 0.01 ft3, GPM, 100																											
	9 Dial - 0.001 M3, GPM, 10																											
TESTING																												
	BADGER STD 1-1/2 in. (TS-423)																											
	BADGER STD 2 in. (TS-424)																											
SERIALIZATION																												
	Year of Mfg 9 Digit S/N Barcoded Primary and Lid Outside																											
APPLICATION (See Note)																												
	None																											
WIRING METHOD (See Note)																												
	Twist Tight - 5 ft (MTR, ASSY)																											
ENDPOINT SHIPMENT MODE																												
	N/A																											
RESERVED																												
	Standard																											

NOTE: For connectivity to AquaCUE, contact your Sales Representative.

Control. Manage. Optimize.

Dynasonics is a registered trademark of Badger Meter, Inc. Other trademarks appearing in this document are the property of their respective entities. Due to continuous research, product improvements and enhancements, Badger Meter reserves the right to change product or system specifications without notice, except to the extent an outstanding contractual obligation exists. © 2021 Badger Meter, Inc. All rights reserved.