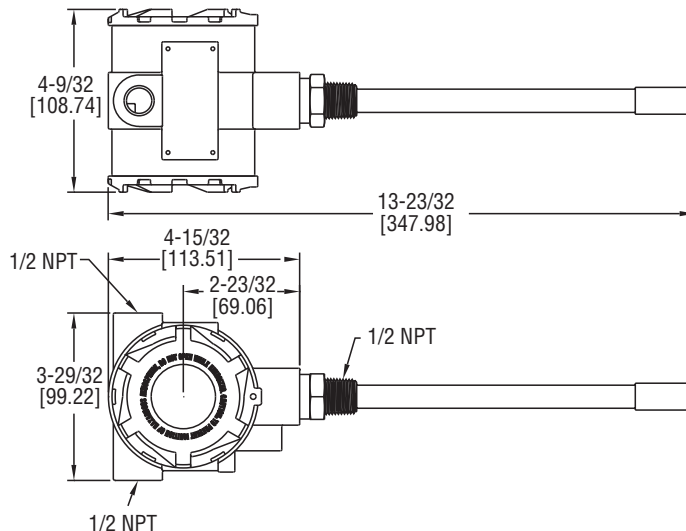




## Series HHT Hazardous Area Humidity/Temperature Transmitter

### Specifications - Installation and Operating Instructions



The Series HHT Hazardous Area Humidity/Temperature Transmitter takes accurate measurements in the harshest of environments. The transmitter is offered in explosion-proof and intrinsically-safe versions depending on the applications requirements. The explosion-proof model is offered with 4 to 20 mA outputs for humidity only. The intrinsically-safe version is offered with 4 to 20 mA output for humidity and temperature. Both versions have an optional two line alphanumeric display to show the current humidity and temperature.

The Series HHT humidity/temperature transmitter is excellent for offshore HVAC applications, dust and grain applications.

#### SPECIFICATIONS

- Relative Humidity Range:** 0 to 100% RH.
- Temperature Range:** -40 to 140°F (-40 to 60°C).
- Accuracy:** ±2% 10-90% RH, ±0.9°F at 72°F (±0.3°C at 25°C).
- Hysteresis:** ±1%.
- Repeatability:** ±0.1% typical.
- Temperature Limits:** -40 to 140°F (-40 to 60°C).
- Storage Temperature:** -40 to 176°F (-40 to 80°C).
- Compensated Temperature:** -40 to 140°F (-40 to 60°C).
- Power Requirements:** For intrinsically safe models HHT-IX, 9.5 to 28 VDC. For explosion-proof models HHT-EX, 16.5 to 28 VDC.
- Output Signal:** 4-20 mA, 2 channels for humidity/temperature models (loop power on RH).
- Response Time:** 15 seconds.
- Electrical Connections:** Screw terminal block.
- Conduit Connection:** 1/2 female NPT.
- Drift:** <1% RH/year.
- RH Sensor:** Capacitance polymer.
- Temperature Sensor:** Solid state band gap.
- Housing Material:** Aluminum.
- Display:** Optional 2 line alpha numeric, 8 characters/line. Temperature display is °F/°C selectable.
- Display Resolution:** RH: 0.1%; Temperature 0.1°F (0.1°C).
- Weight:** 2 lb 8 oz (1134 g).
- Enclosure Rating:** NEMA 4x (IP66). Models HHT-EX: FM Explosion Proof, Class I Div. 1 Group B, C, D, Class II Div. 1 Group E, F, G, Class III Div. 1; Models HHT-IX: FM Intrinsically Safe, Class I Div. 1 Group A, B, C, D, Class II Div. 1 Group E, F, G, Class III Div. 1 T4.
- Agency Approvals:** FM, CE.

## Wiring Diagram – Humidity Only

### Explosion Proof Installation Notes:

1. Install in accordance with any applicable national electric code.
2. Plug unused conduit openings. Plug must engage a minimum of 5 threads.
3. Use conduit seal within 18 inches of conduit entry.
4. Disconnect power before servicing.
5. Control equipment voltage on hazardous side is 250 Vrms/DC maximum.
6. Do not substitute any components. The intrinsic safety of the sensor may be compromised.
7. Shielded cable for 4-20 mA loop is necessary to meet CE requirements or when used in electrically noisy environments.

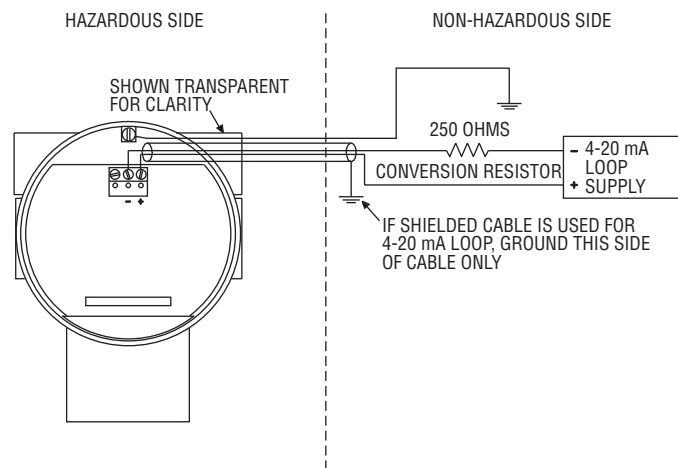


FIGURE 1

## Wiring Diagram – Humidity and Temperature

### Intrinsically Safe Installation Notes:

1. Remove power from the instrument before carrying out any servicing.
2. Return the instrument to the manufacturer for any repair. Any unauthorized repairs may impair the intrinsic safety of the instrument.
3. Use only FM approved Associated Apparatus. When installing the Associated Apparatus, the manufacturer's instructions must be followed.
4. Install in accordance with ANSI/ISA RP12.06.01, and the National Electric Code ANSI/NFPA 70.
5. The earth terminal on the housing must be wired to a local earth ground in the hazardous area.
6. Refer to FM control drawing, Dwyer number 03-001467-00.
7. For Model HHT-IT, use ONLY Pepperl + Fuchs KFDØ-SCS-Ex1.55 Galvanically Isolated Barriers.

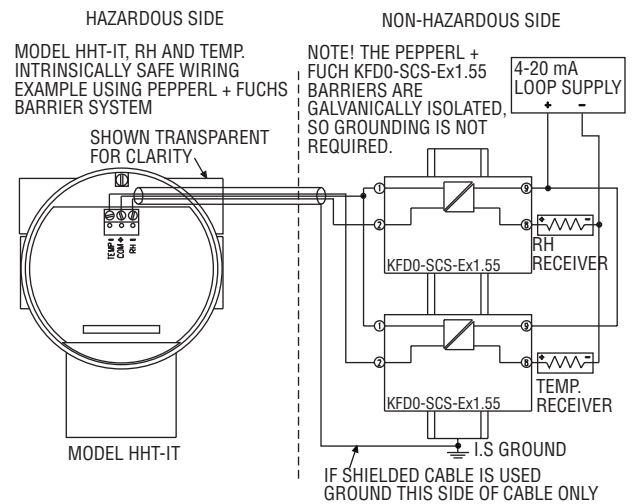


FIGURE 2

### Entity Parameters:

Vmax = 28 VDC  
 I<sub>max</sub> = 100 mA  
 C<sub>i</sub> = 62 nF  
 L<sub>i</sub> = 7.7 μH  
 P<sub>i</sub> = 651 mW

### MODEL HHT-IU, RH ONLY INTRINSICALLY SAFE WIRING EXAMPLE USING MTL BARRIER SYSTEM

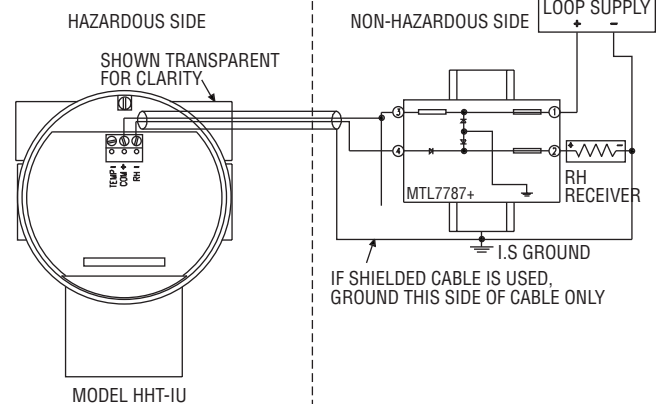


FIGURE 3

### Power Supply Requirements:

The maximum DC Power Supply is 28 VDC. The minimum required DC Power Supply required is based upon the following:

1. Minimum DC voltage requirement of the Model HHT.
2. Total load resistance.
3. Total leadwire resistance.
4. Zener barrier voltage drop ( Model HHT-IX only).

The formula for calculating the DC Power Supply is:

$$VDC = VHHT + VLOAD + VLEADWIRE + VBARRIER$$

Where VHHT = 9.5v for Models HHT-IX and 16.5v for Models HHT-EX.

$$VLOAD = \text{Total load resistance} \times 20\text{mA}$$

$$VLEADWIRE = \text{Total leadwire resistance} \times 20\text{mA}$$

$$VBARRIER = 8.1\text{v}$$

(Typical zener barrier voltage drop for this application)

### Example 1. Calculate minimum DC Power Supply for Model HHT-EX (Explosion Proof)

Step 1. VHHT = Minimum voltage required by Model HHT-EX = 16.5 v

Step 2. Calculate VLOAD. Using the industry standard 250 OHM conversion resistor,  $VLOAD = 250 \times 20\text{mA} = 5\text{v}$ .

Step 3. Calculate VLEADWIRE. For this example assume a leadwire resistance of 10 OHMS.  $VLEADWIRE = 10 \times 20\text{mA} = 0.2\text{v}$

Step 4.  $VDC = VHHT + VLOAD + VLEADWIRE = 16.5 + 5 + 0.2 = 21.2\text{v}$

### Example 2. Calculate minimum DC Power Supply for Model HHT-IU (Intrinsically Safe)

Step 1. VHHT = Minimum voltage required by Model HHT-IX = 9.5 v

Step 2. Calculate VLOAD. Using the industry standard 250 OHM conversion resistor,  $VLOAD = 250 \times 20\text{mA} = 5\text{v}$ .

Step 3. Calculate VLEADWIRE. For this example assume a leadwire resistance of 10 OHMS.  $VLEADWIRE = 10 \times 20\text{mA} = 0.2\text{v}$

Step 4. VBARRIER = 8.1v

Step 5.  $VDC = VHHT + VLOAD + VLEADWIRE + VBARRIER = 9.5 + 5 + 0.2 + 8.1 = 22.8\text{v}$

For Model HHT-IT, follow instructions with Pepperl + Fuchs KFDØ-SCS-Ex1.55 Barrier.

## INSTALLATION

**Location:** Select a location where the ambient temperature is between  $-40$  to  $+140^\circ\text{F}$  ( $-40$  to  $+60^\circ\text{C}$ )

**Position:** The transmitter is not position sensitive. Units with the optional display should be mounted for ease of viewing the display.

**Caution:** Use electrostatic discharge precautions (e.g. use of wrist straps) during installation and wiring to prevent equipment damage.

Avoid locations where severe shock or vibration, excessive moisture or corrosive fumes are present.

Do not exceed ratings of this device. Permanent damage not covered by the warranty may result.

**Display:** The temperature indicated on the display, if equipped with the LCD option, is field selectable via a jumper located on the circuit board just above the display. To change the jumper position, remove the housing cover and position the jumper for  $^\circ\text{F}$  or  $^\circ\text{C}$  according to Figure 4.

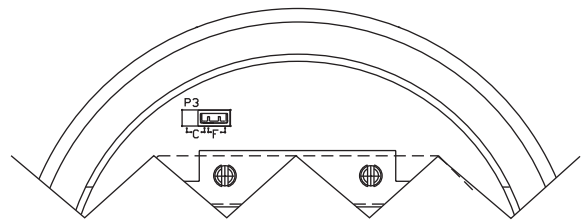


FIGURE 4

### Replaceable RH/Temperature sensor and sintered filter:

Replacement sensors are available. No calibration is required when a new sensor is installed. To replace the sensor, remove the sintered filter. When installing the new sensor, make sure the 4 pin male connector is aligned correctly with the female connector. See Figure 5.

To order a replacement sensor or sintered filter, contact Dwyer sales. The part numbers are:

Replacement 2% sensor : A-451

Replacement sintered filter: A-450

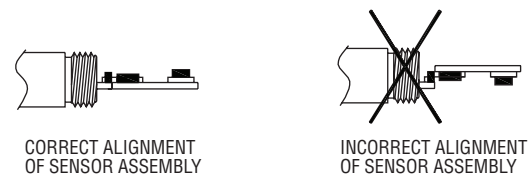
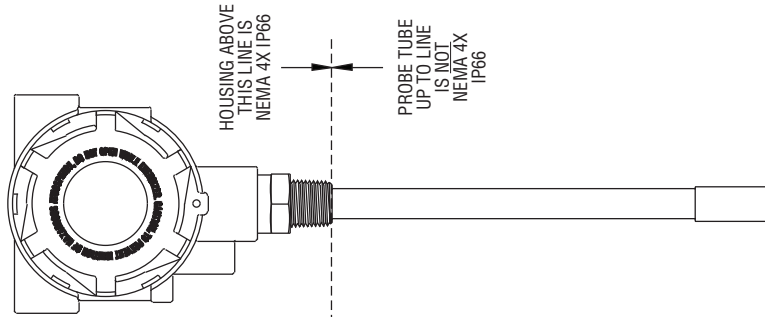
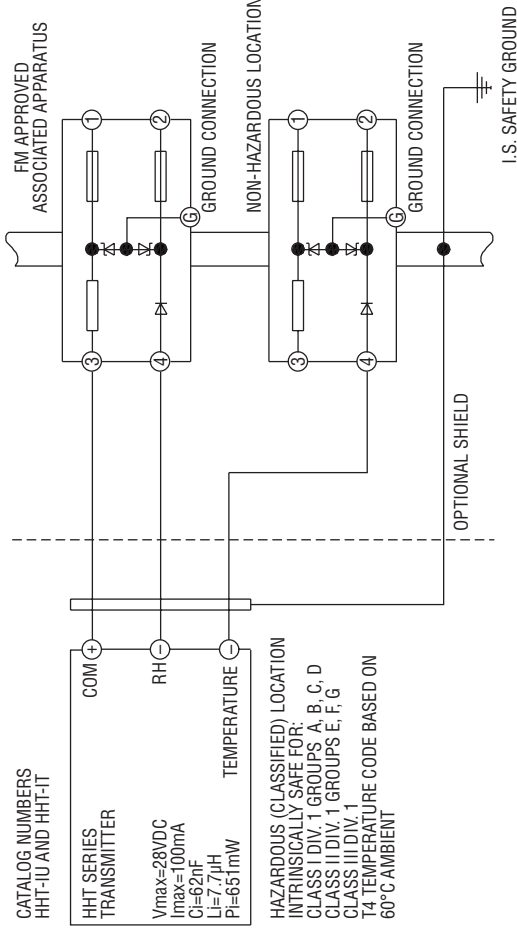


FIGURE 5

## MAINTENANCE

Upon final installation of the Series HHT Hazardous Area Humidity / Temperature Transmitter, it is important to develop a routine schedule for replacing the RH/Temperature Sensor P/N A-451. The sensor should be replaced annually or sooner depending on environmental conditions. A periodic check of system calibration is recommended. The Series HHT is not field serviceable and should be returned if repair is needed (field repair should not be attempted and may void warranty). Be sure to include a brief description of the problem plus any relevant application notes. Contact customer service to receive a return goods authorization number before shipping.



1. THE INTRINSIC SAFETY ENTITY CONCEPT ALLOWS THE INTERCONNECTION OF TWO FM APPROVED INTRINSICALLY SAFE DEVICES WITH ENTITY PARAMETERS NOT SPECIFICALLY EXAMINED IN COMBINATION AS A SYSTEM WHEN:  
 $V_{oc} \text{ OR } U_o \text{ OR } V_i \leq V_{max}$ ,  $I_{sc} \text{ OR } I_o \text{ OR } I_t \leq I_{max}$ ,  $C_o \text{ OR } C_i \geq C_i + C_{cable}$ ,  $L_o \text{ OR } L_i \geq L_i + L_{cable}$ ,  $P_o \leq P_i$
2. EQUIPMENT CONNECTED TO THE ASSOCIATED APPARATUS MUST NOT USE OR GENERATE MORE THAN 250 Vrms OR VDC
3. INSTALLATION MUST IN ACCORDANCE WITH THE NATIONAL ELECTRICAL CODE (NFPA 70; ARTICLE 504) AND ANS/ISA-RP12.6
4. NO REVISIONS WITHOUT PRIOR APPROVAL FROM FMI RESEARCH.
5. THE ASSOCIATED APPARATUS MANUFACTURES INSTALLATION INSTRUCTIONS MUST BE FOLLOWED WHEN INSTALLING THIS EQUIPMENT.
6. DUST TIGHT CONDUIT SEAL MUST BE USED IN CLASS II AND CLASS III ENVIRONMENTS.

(CD) = CRITICAL DIMENSION  
 STANDARD TOLERANCES UNLESS NOTED:  
 ALL DECIMAL DIMENSIONS  $\pm .005$   
 ALL ANGLES  $\pm 1^\circ$

FM CONTROL DRAWING

SCALE 1:2

DATE	8-25-08	NAME	
DWN BY	KAS	FM CONTROL DRAWING	HHT-IU AND HHT-IT
CHKD	CAT	MATERIAL	
BY/DATE	LRR	FINISH	
APPR			
NO.	CHANGES	ACAD2002	

NOTICE: This drawing and the products and services of design embodied herein are the property of DWYER INSTRUMENTS, INC. and are not to be communicated, disclosed, reproduced or used in any form without the written consent of DWYER INSTRUMENTS, INC. and are not to be used for any other purpose without the written consent of DWYER INSTRUMENTS, INC.

DWYER INSTRUMENTS, INC.  
 MICHIGAN CITY, INDIANA 46360 U.S.A.  
 FR. NO. 03-001467-00