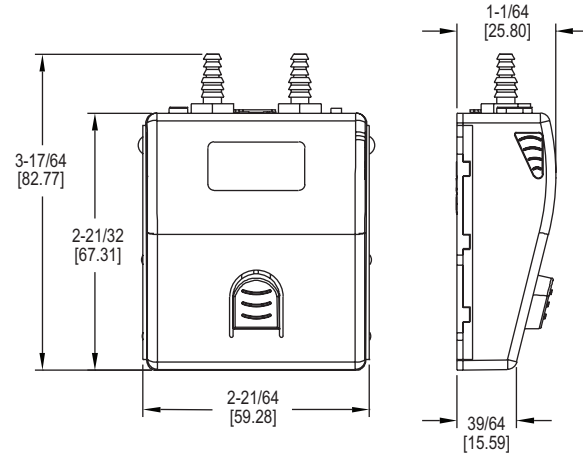


Dwyer
SERIES WDPM

DIFFERENTIAL PRESSURE MODULES

Wireless, Measures Differential Pressure, Air Velocity, and Flow



SERIES WDPM Wireless Differential Pressure Modules for use with the Model UHH handheld meter and the Mobile Meter® Software Test Instrument Mobile App.

FEATURES/BENEFITS

- Compatible with Dwyer's Mobile Meter App
- Bluetooth Gateway allows for up to 10 probes for simultaneous readings
- Simple single button operation for power and logging
- Wide selections of ranges for optimum accuracy
- Stable 50' (15 m) wireless range

APPLICATIONS

- Building commissioning
- Building HVAC test and balance
- Critical environment testing
- Industrial process verification
- Instrumentation validation

MODEL CHART		
Model	Range	Maximum Pressure
WDPM-002	±2 in w.c. (±500 Pa)	10 psi (68.9 kPa)
WDPM-005	±5 in w.c. (±1250 Pa)	10 psi (68.9 kPa)
WDPM-010	±10 in w.c. (±2.5 kPa)	10 psi (68.9 kPa)
WDPM-020	±20 in w.c. (±5 kPa)	20 psi (137.9 kPa)
WDPM-030	±30 in w.c. (±7.5 kPa)	20 psi (137.9 kPa)
WDPM-100	±100 in w.c. (±25 kPa)	15 psi (103.4 kPa)
WDPM-200	±200 in w.c. (±50 kPa)	45 psi (310.3 kPa)
WDPM-350	±350 in w.c. (±87 kPa)	45 psi (310.3 kPa)

SPECIFICATIONS

Service: Non-corrosive dry gases.

Wetted Materials: Consult factory.

Accuracy: ±0.5% FS span @ 25°C (includes non linearity, hysteresis, and non repeatability).

Pressure Limits: See model chart.

Engineering Units: Pressure: in w.c., ft w.c., in Hg, psi, OzSl, mm w.c., cm w.c., mBar, Pa, hPa, and kPa; Velocity: fpm, mph, kn, m/s, m/h, k/h, and fps; Flow: cfm, gpm, gph, gpd, m³/h, m³/h, lps, lpm, and lph.

Temperature Limits: Compensated: 32 to 140°F (0 to 60°C); Process/ambient: 14 to 140°F (-10 to 60°C).

Thermal Effects: ±0.01% FS/°F (±0.02% FS/°C).

Battery Charging Limits: 32 to 113°F (0 to 45°C).

Power Requirements: 3.7 V YT562447 lithium ion battery, installed functionally, user replaceable.

Wireless Distance: At least 50' (15 m).

Connections: Two barbed connections for use with 1/8" (3.18 mm) or 3/16" (4.76 mm) ID tubing.

Weight: 2.5 oz (70.87 g).

Agency Approvals: CE with CE approved charger, FCC.

ACCESSORIES

Model	Description
A-WDPM-BRK	Differential pressure mounting bracket