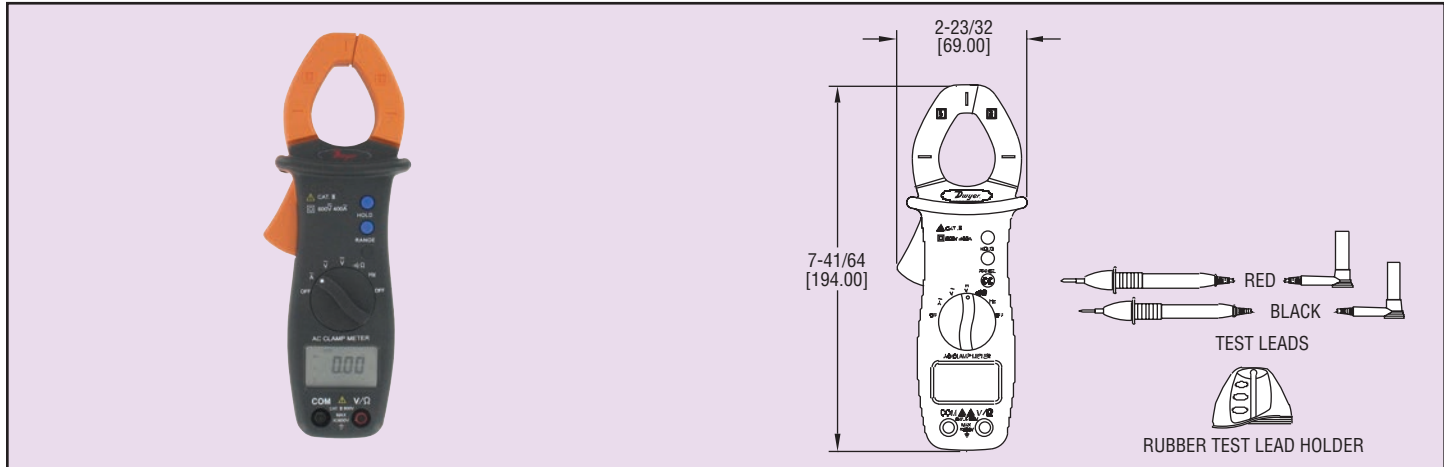




Model
CM-1

Digital Clamp Meter

Measures DC/AC Voltage, AC Current, Resistance, Frequency



The compact, low cost **Model CM-1 Digital Clamp Meter** is ideal for general electrical testing and troubleshooting. A few applications include HVAC, automotive, electrical/power, and environmental monitoring uses. The digital clamp meter measures DC and AC voltage to 600 V, AC current to 400 A, and resistance to 400 Ω . In addition to volts, amps and ohms, this meter includes a frequency test to 400 Hz. The CM-1 also features data/range hold and auto range buttons to keep the screen from updating when gathering values. The 3-3/4 digit LCD features automatic polarity, overload and low battery indication. The Model CM-1 is furnished with red and black test leads, batteries and carrying case with belt loop.

Model CM-1, Digital Clamp Meter

SPECIFICATIONS

Over Voltage Category: CAT III 600 V.

AC Voltage: 0.1 V to 600 V \pm (1.0% + 5 digit).

DC Voltage: 0.1 V to 600 V \pm (1.0% + 3 digit).

AC Current: 0.1 A to 400 A \pm (2.0% + 10 digit).

Resistance: 0.1 to 400 Ω \pm (1.0% + 5 digit).

Continuity Test: Audible buzzer.

Max. Conductor Size: 1.18" diameter (30 mm).

Frequency: 1 Hz to 400 Hz \pm (0.8% + 3).

Display: 4000 counts plus decimal point.

Sampling Rate: 2 x per s.

Power Requirements: (2) AAA alkaline batteries, included, user replaceable.

Weight: 9.88 oz (280 g).