



# DewPro<sup>®</sup> MMR30

## Moisture transmitter

The DewPro MMR30 is a compact, mid-range moisture transmitter designed specifically for refrigeration dryer manufacturers and users. The DewPro MMR30 measures dew point at line pressure or atmospheric pressure and installs easily on a dryer outlet header.

The DewPro MMR30 uses a proven polymer capacitive sensor to provide a measurement range of 5°F to 185°F (-15°C to 85°C) with ±1.8°F (±1.0°C) accuracy. The optional integrated display with user interface provides full programming and diagnostic capability.

### Features

- Loop-powered, 4 to 20 mA transmitter
- Proven polymer capacitive sensor for fast response and calibration stability
- Integral filtering and flow regulation
- Trouble-free indoor or outdoor mounting
- Microcontroller electronics in Type 4X/IP67 enclosure

### Options

- Integral display with user interface
- English or metric fittings
- External display available with loop-powered supply and alarm contacts
- Power supply
- Wall mount kit

# Specifications

## Sensing element

Silicon-based polymer, capacitance principle, IC electronics

## Dew point range

5°F to 185°F (-15°C to 85°C)

## Dew point accuracy

±1.8°F (±1°C) above 32°F (0°C) dew point @ 25°C

## Operating temperature range

Process: 5°F to 185°F (-15°C to 85°C)

Electronics: -40°F to 185°F (-40°C to 85°C)

## Maximum operating pressure

250 psia (17 bar)

Inlet filter: 2 micron sintered stainless steel

## Air bleed off at 100 psig (7 bar)

Approximately 1 SCHF (28 sl/h)

## Output

Loop current 4 to 20 mA; 16 :A resolution

## Flow block

316 stainless steel with 1/2 in NPT-M or G 1/2 thread; (DIN ISO 228) and gasket seal

## Wrench width for flow block

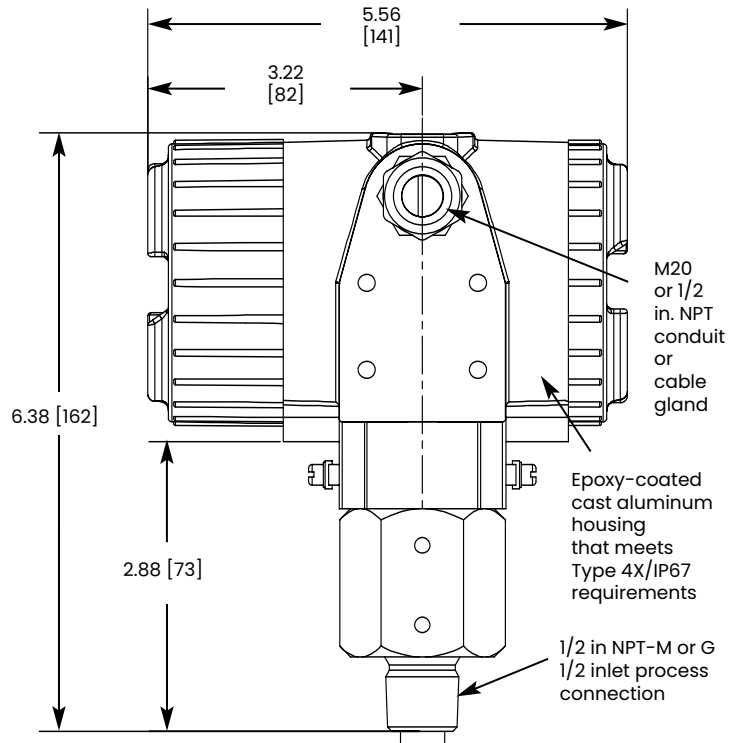
1-5/8 in (42 mm)

## Electronics

Microcontroller operated

## Hardware selectabel units

Dew point temperature in °F or °C



DewPro MMR30 with optional display

## Supply power

24 VDC nominal, tolerance 12 to 30 VDC

## Optional display

Four-digit numeric display with bar graph and matrix position indication. Four user interface keys for unit selections, output adjustments and ranging.

## Protection

Type 4X/IP67

## Weight

4.4 lb (2 kg)

## European compliance

Complies with EMC Directive 89/336/EEC and PED 97/23/EC for DN<25

Panametrics, a Baker Hughes Business, provides solutions in the toughest applications and environments for moisture, oxygen, liquid and gas flow measurement. Experts in flare management, Panametrics technology also reduces flare emissions and optimizes performance.

With a reach that extends across the globe, Panametrics' critical measurement solutions and flare emissions management are enabling customers to drive efficiency and achieve carbon reduction targets across critical industries including: Oil & Gas; Energy; Healthcare; Water and Wastewater; Chemical Processing; Food & Beverage and many others.

Join the conversation and follow us on LinkedIn  
[linkedin.com/company/panametricscompany](https://www.linkedin.com/company/panametricscompany)