

## DG25 General Purpose Digital Gauge

### FEATURES

- 0.5% Accuracy (0.25% option)
- Min./Max. function feature records low and high pressure events
- Nine engineering units: one field (programmable)
- All Stainless steel-laser welded wetted parts
- Push-button menu navigation
- 20 segment bar graph display
- 5 Digit numeric display
- IP67 Enclosure

### TYPICAL USES

- Hydraulics and pneumatics
- Test and measurement
- Specialized OEM equipment
- Material strength testing
- Torque measurement
- Weighing

### SPECIFICATIONS

Accuracy:	±0.5% of span (ASME B40.7 Grade 2A), ±0.25% of span (ASME B40.7 Grade 3A) (OPT.)
Case Size:	2½"
Nominal Sizes:	2.73" (70mm) dia., 1.61" (40.9mm) deep, 2.64" (67mm) centerline to end of ¼ NPT thread height
Character Height:	Upper line: 0.48", (12.19mm), 5 digit Lower line: 0.24", (6.10mm), 5 character alphanumeric
Ranges:	Vacuum, compound, 15 to 25,000 psi
Pressure Connection:	¼ NPT typical, see page 4 for all options
Process Connection Location:	Lower
Temperature Coefficient:	0.04%/°F (-20°F to 180°F) zero and span Reference temperature 70°F
Leak Integrity:	10 <sup>-7</sup> cc/sec
Update Rate:	1Hz, 2Hz, 4Hz
Vibration:	MIL-STD-20G, Method 201A
Shock:	MIL-STD-20G, Method 213B, Test Condition K
Serial Number:	Yes
View Angle:	12 o'clock
Battery:	Two AA alkaline batteries
Battery Life:	2,000 hours minimum
Battery Life Indicator:	4 levels
Cycle Life:	10 million cycles



DG25  
2.73", 70mm nominal case diameter



### KEY BENEFITS

- Wide variety of pressure connection thread options
- Easily custom configured to meet unique requirements
- Ingress protection suitable for demanding applications

### SPECIFICATIONS

LCD Display:	Five-digit numeric top line, five-character alphanumeric lower line, 20 segment vertical bar graph, four segment battery life indicator, dedicated icons for gauge timer, back light timer, tare, min. and max.
Keypad Functions:	Three key, with multi press functionality
Hard Keys:	<b>On/Off:</b> Power Symbol and Enter Zero <b>Zero:</b> Tare, and Up Arrow <b>Menu:</b> Access, Backlight, Down Arrow
Engineering Units:	psi, bar, inHg, cmHg, mmHg, kPa, MPa, kg/cm <sup>2</sup> , ftH <sub>2</sub> O, and customer defined unit
Enclosure Rating:	IP67
Approvals:	CE, UL 61010-1, CUL

### PRESSURE RATINGS

Overpressure:	Proof:	Burst:
15 to m2,000 psi	2 X Range	8 X Range
M3,000 to m5,000 psi	1.5 X Range	3 X Range
M7,500 to m20,000 psi	1.2 X Range	1.5 X Range

# Data Sheet

## DG25 General Purpose Digital Gauge

### WETTED COMPONENTS

Diaphragm	Socket	Joints
17-4 Stainless steel	316L Stainless steel	Laser welded

### NON-WETTED COMPONENTS

Case	Keypad
Polycarbonate/ABS	Polycarbonate

### MIN/MAX TEMPERATURE LIMITS

Version	Process	Storage
DG25	-4°F to 140°F (-20°C to 60°C)	-4°F to 140°F (-20°C to 60°C)
Batteries removed	—	-4°F to 176°F (-20°C to 80°C)

**ORDERING CODE** Example: **DG 25 3 1 L 1 NA M02 1000# -XB3**

<b>Model</b>	DG - DG25	DG	25	3	1	L	1	NA	M02	1000#	-XB3
<b>Dial Size</b>	25 - 2.5"		25								
<b>Accuracy</b>	3 - ±0.25% of span			3							
	5 - ±0.5% of span										
<b>Type</b>	1 - Battery				1						
<b>Backlight</b>	L - Backlight					L					
	N - No backlight										
<b>Protective Boot</b>	0 - None										
	1 - Black						1				
	2 - Orange										
<b>Electrical Connection</b>	NA - Not Applicable							NA			
<b>Process Connection Size</b>	F09 - 9/16-18 UNF-2B internal thread, high pressure										
	M01 - 1/8 NPT Male										
	M02 - 1/4 NPT Male								M02		
	M04 - 1/2 NPT Male										
	M75 - No thread for seal weld										
	MD2 - 1/4 NPT Female, (dry seal) high pressure										
	MG2 - G3/4 B Male										
	MGA - G3/4 A Male										
	MKJ - 1/4 -19 BSP Male with shaft										
	MLF - 1/2 NPT With 7/16-18 UNF-3B internal thread										
	MR4 - R 1/4 Male										
	MS2 - 1/4 -19 BSP Male										
<b>Process Connection Location</b>	L - Lower										
<b>Range (coding example, see range table below for all standard ranges)</b>	1000# - 0-1,000 psi									1000#	
<b>Options (if choosing an option(s), must include an "X")</b>	B3 - Gauge pouch with Ashcroft® logo										X
	C4 - Individual certified calibration chart										B3
	NH - Metal tag wired to case										
	OB - Generic non-branded key panel										
	QX - Epoxy potted stem (10 unit minimum)										
	6B - Cleaned for gaseous oxygen service										
	6W - Cleaned to ASME B40.100 level IV, NOT marked for gaseous oxygen service										

Consult factory for: Custom configurations, OEM requirements, individual calibration chart, cleaned for gaseous oxygen service, gauge pouch with Ashcroft® logo, other ranges and mounting options

# Data Sheet

## DG25 General Purpose Digital Gauge

### Standard psi ranges

RANGE CODE	psi		bar		inHg		cmHg		mmHg		kPa		MPa		kg/cm <sup>2</sup>		ftH <sub>2</sub> O	
	Low Range	High Range	Low Range	High Range	Low Range	High Range	Low Range	High Range	Low Range	High Range	Low Range	High Range	Low Range	High Range	Low Range	High Range	Low Range	High Range
Vacuum																		
0#&V*	-14.500	0	-0.9998	0	-29.52	0	-74.99	0	-749.99	0	-99.97	0	-0.1000	0	-1.0195	0	-33.46	0
Compound																		
15#&V*	-14.500	15.00	-0.9998	1.0342	-29.52	30.54	-74.99	77.57	-749.9	775.5	-100.0	103.4	-0.1000	0.1034	-1.0195	1.0546	-33.46	34.62
30#&V*	-14.500	30.00	-1.000	2.068	-29.52	61.08	-74.99	155.15	-749.9	1551.5	-100.0	206.8	-0.1000	0.2068	-1.019	2.109	-33.46	69.23
60#&V	-14.500	60.00	-1.000	4.137	-29.52	122.16	-75.0	310.3	-750	3103	-100.0	413.7	-0.1000	0.4137	-1.019	4.219	-33.46	138.46
100#&V	-14.500	100.00	-1.000	6.895	-29.5	203.6	-75.0	517.2	-750	5172	-100.0	689.5	-0.1000	0.6895	-1.019	7.031	-33.46	230.8
300#&V	-14.500	300.00	-1.000	20.685	-29.5	610.8	-75.0	1551.5	-750	1551	-100.0	2068.4	-0.1000	2.0684	-1.019	21.093	-33.46	692.3
Pressure																		
15#*	0	15.000	0	1.0342	0	30.54	0	77.57	0.0	775.5	0	103.2	0	0.1034	0	1.0546	0	34.62
30#	0	30.00	0	2.0685	0	61.08	0	155.15	0.0	1551.5	0	206.4	0	0.2068	0	2.1093	0	69.23
60#	0	60.00	0	4.137	0	122.16	0	310.3	0	3103	0	413.7	0	0.4137	0	4.219	0	138.46
100#	0	100.00	0	6.895	0	203.60	0	517.2	0	5172	0	689.5	0	0.6895	0	7.031	0	230.77
200#	0	200.00	0	13.790	0	407.2	0	1034.3	0	10343	0	1378.9	0	1.3789	0	14.062	0	461.5
300#	0	300.0	0	20.685	0	610.8	0	1551.5	0	15515	0	2068.4	0	2.0684	0	21.093	0	692.3
500#	0	500.0	0	34.47	0	1018.0	0	2586	-	-	0	3447	0	3.447	0	35.15	0	1153.8
1000#	0	1000.0	0	68.95	0	2036.0	0	5172	-	-	0	6895	0	6.895	0	70.31	0	2307.7
1500#	0	1500.0	0	103.42	0	3054	0	7757	-	-	0	10342	0	10.342	0	105.46	0	3462
2000#	0	2000.0	0	137.90	0	4072	0	10343	-	-	0	13789	0	13.789	0	140.62	0	4615
3000#	0	3000	0	206.8	0	6108	0	15515	-	-	-	-	0	20.684	0	210.93	0	6923
5000#	0	5000	0	344.7	0	10180	-	-	-	-	-	-	0	34.47	0	351.5	0	11538
10000#	0	10000	0	689.5	0	20360	-	-	-	-	-	-	0	68.95	0	703.1	0	23077
15000# <sup>(1)</sup>	0	15000	0	1034.2	-	-	-	-	-	-	-	-	0	103.42	0	1054.6	-	-
20000# <sup>(1)</sup>	0	20000	0	1379.0	-	-	-	-	-	-	-	-	0	137.89	0	1406.2	-	-
25000# <sup>(1)</sup>	0	25000	0	1723.7	-	-	-	-	-	-	-	-	0	172.37	0	1757.7	-	-

### Standard bar ranges

RANGE CODE	bar		psi		inHg		cmHg		mmHg		kPa		MPa		kg/cm <sup>2</sup>		ftH <sub>2</sub> O	
	Low Range	High Range	Low Range	High Range	Low Range	High Range	Low Range	High Range	Low Range	High Range	Low Range	High Range	Low Range	High Range	Low Range	High Range	Low Range	High Range
Vacuum																		
0BR&V	-1.000	0	-14.50	0	-29.53	0	-75.01	0	-750.1	0	-100.0	0	-0.10000	0	-1.0197	0	-33.52	0
Compound																		
1BR&V	-1.000	1.0000	-14.50	14.50	-29.53	29.53	-75.01	75.01	-750.1	750.1	-100.0	100.00	-0.1000	0.1000	-1.0197	1.0197	-33.52	33.52
1.6BR&V	-1.000	1.6000	-14.50	23.01	-29.53	47.25	-75.01	120.01	-750.1	1200.1	-100.0	160.00	-0.1000	0.1600	-1.020	1.632	-33.52	53.63
4BR&V	-1.000	4.000	-14.50	58.01	-29.53	118.12	-75.0	300.0	-750	3000	-100.0	400.0	-0.1000	0.4000	-1.020	4.079	-33.52	134.08
6BR&V	-1.000	6.000	-14.50	87.02	-29.5	177.18	-75.0	450.0	-750	4500	-100.0	600.0	-0.1000	0.6000	-1.020	6.118	-33.5	201.1
16BR&V	-1.000	16.000	-14.50	232.10	-29.5	472.5	-75.0	1200.1	-750	12001	-100.0	1600.0	-0.1000	1.600	-1.020	16.315	-33.5	536.3
Pressure																		
1BR*	0	1.0000	0	14.503	0	29.53	0	75.01	0.0	750.1	0	100.00	0	0.10000	0	1.0197	0	33.52
1.6BR*	0	1.6000	0	23.205	0	47.25	0	120.01	0.0	1200.1	0	160.00	0	0.16000	0	1.6315	0	53.63
2.5BR	0	2.500	0	36.25	0	73.83	0	187.52	0	1875	0	250.0	0	0.2500	0	2.549	0	83.80
4BR	0	4.000	0	58.01	0	118.12	0	300.0	0	3000	0	400.0	0	0.4000	0	4.079	0	134.08
6BR	0	6.000	0	87.02	0	177.18	0	450.0	0	4500	0	600.0	0	0.6000	0	6.118	0	201.12
10BR	0	10.000	0	145.03	0	295.3	0	750.1	0	7500	0	1000.0	0	1.0000	0	10.297	0	335.2
16BR	0	16.00	0	232.05	0	472.5	0	1200.1	0	12001	0	1600.0	0	1.6000	0	16.315	0	536.3
25BR	0	25.00	0	362.5	0	738	0	1875.2	0	18752	0	2500	0	2.5000	0	25.49	0	838.0
40BR	0	40.00	0	580.1	0	1181.2	0	3000	-	-	0	4000	0	4.000	0	40.79	0	1340.8
60BR	0	60.00	0	870.2	0	1771.8	0	4500	-	-	0	6000	0	6.000	0	61.18	0	2011.2
100BR	0	100.00	0	1450.3	0	2953	0	7500	-	-	-	10000	0	10.000	0	101.91	0	3352
160BR	0	160.00	0	2320.5	0	4725	0	12001	-	-	-	16000	0	16.000	0	163.15	0	5363
250BR	0	250.0	0	3626	0	7383	0	18752	-	-	-	-	0	25.00	0	254.9	0	8380
400BR	0	400.0	0	5801	0	11812	-	-	-	-	-	-	0	40.00	0	407.9	0	13408
600BR	0	600.0	0	8702	0	17718	-	-	-	-	-	-	0	60.00	0	611.8	0	20112
1000BR	0	1000.0	0	14503	-	-	-	-	-	-	-	-	0	100.00	0	1019.7	-	-
1600BR <sup>(1)</sup>	0	1600.0	0	23205	-	-	-	-	-	-	-	-	0	160.00	0	1631.5	-	-

\* 0.5% Accuracy only.

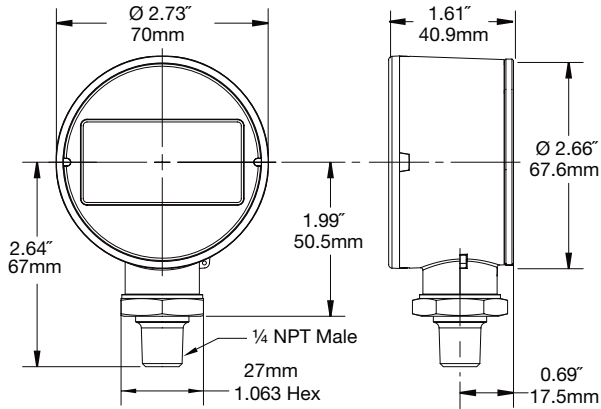
<sup>(1)</sup> Requires use of pressure connection F09 or MD2

Note "-" in range table indicates unit of pressure is not included in this pressure range

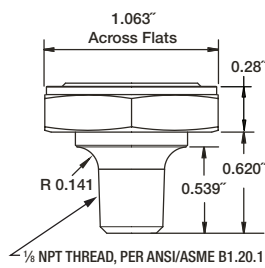
# DG25 General Purpose Digital Gauge

## DIMENSIONS

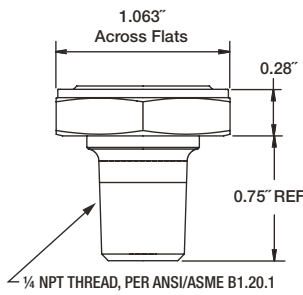
For reference only, consult Ashcroft for specific dimensional drawings.



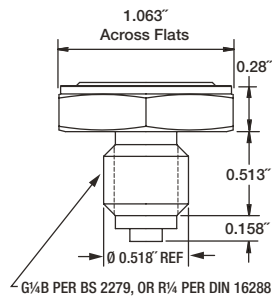
**1/8 NPT Male (M01)**



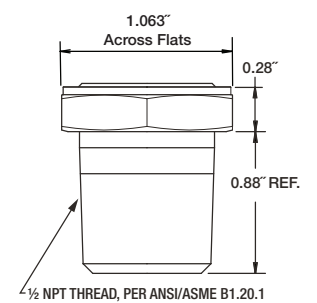
**1/4 NPT Male (M02)**



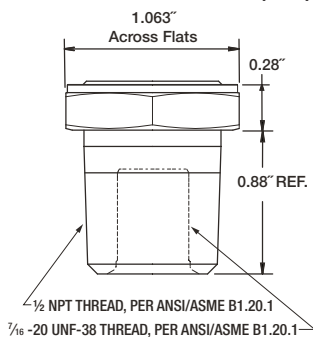
**G1/4B NPT Male (MG2)**



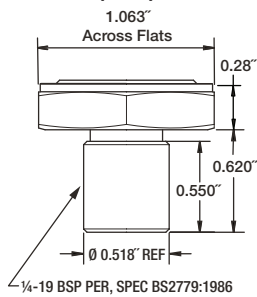
**1/2 NPT Male (M04)**



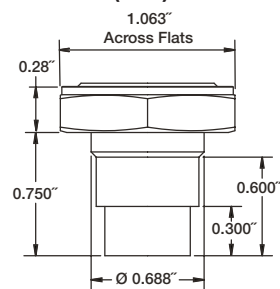
**1/2 NPT Male & 7/16-20 UNF-38 (MLF)**



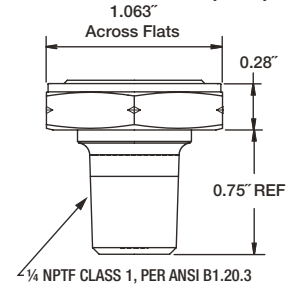
**1/4-19 BSP (MS2)**



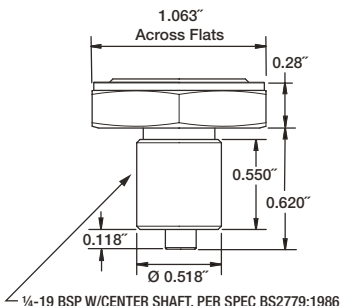
**No Threads (M75)**



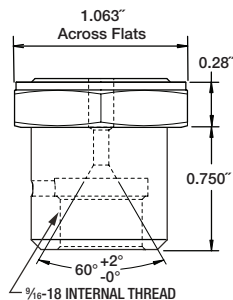
**1/4 NPT Female Class 1 (MD2)**



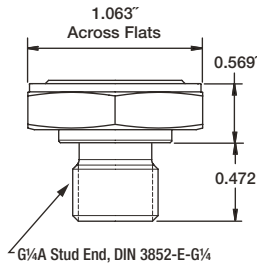
**1/4-19 BSP Male w /Center Shaft (MKS)**



**9/16-18 Internal Thread (M09)**



**G1/4A-19 Stud End (MGA)**



**R1/4 Thread (MR4)**

