

Din Mounted Digital Display Panel Meter Series: DDD



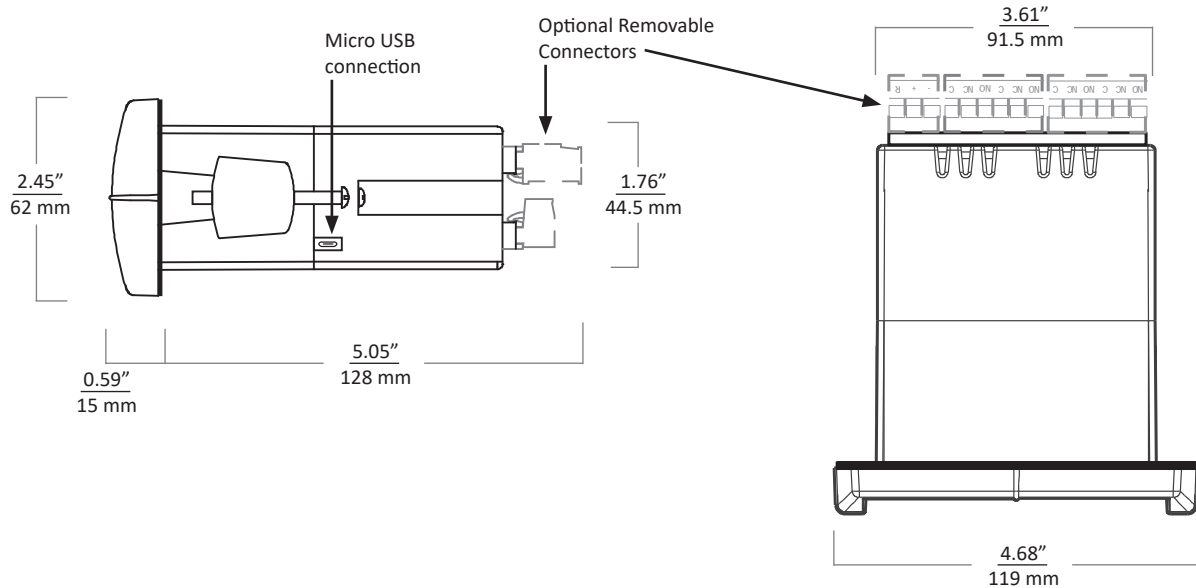
The Series DDD Din Mounted Digital Display is a two-line, analog-input panel meter with multiple output and display options. With two configurable, six-character lines and eight LED alarm indicators, the DDD fits a lot of information in a compact area. The DDD is easily programmed with the four buttons on the face or through a USB connection to a PC. Add an optional bright, sunlight-readable display, and the DDD has the versatility and functionality you need in a panel meter.

Features

- 2-line, 6-character display
- Environmentally sealed face; NEMA 4X / IP65
- Easy 4-button programming
- Current Inputs: 4-20 or 0-20 mA
- Voltage Inputs: 0-5, 1-5, 0-10 VDC
- 1 Digital Input / Input Contact
- Current Output: Isolated 4-20 mA
- Relay Outputs: 2 or 4 SPDT Relays
- Up to 200 mA for powering sensor
- Configurable High/Low alarms
- Alternating Pump Control (with output relays)
- Optional bright display (DBD model)



DDD Specifications



Performance

- Display:
 - 2 lines, 6 characters each
 - Top line: 0.6" (15mm) characters
 - Bottom line: 0.46" (12mm) characters
- Optional Sunlight Readable Bright Display (model DBD)
- Display Update Speed:
 - 200 ms (5 updates per second)
- Accuracy:
 - ±0.03% of calibrated span

Connectivity

- Input Options:
 - 0-20 mA, 4-20 mA
 - 0-5 VDC, 1-5 VDC, 0-10 VDC, ±10 VDC
- Output Options:
 - 2 or 4 SPDT Relays
 - Isolated 4-20 mA
- Sensor Power Supply
 - 24/10/5 VDC selectable
 - 200 mA for VAC models
 - 100 mA for VDC models
- Analog Output Power Supply
 - 40 mA @ 24 VDC

Environmental

- Front panel rating: NEMA 4X, IP65
- Storage Temp: -40° - 185°F (-40° - 85°C)
- Operating Temp: -40° - 149°F (-40° - 65°C)

Certification

- CE
- UL/C-UL Listed

Programming

- Programmable Features:
 - Min/Max, Tare, Hold
 - Multi-scale Input Display (e.g. Level & Volume)
 - Noise Filter
 - High/Low Alarms
 - Alternating Pump Control
 - Time Delay for Output Relays
- Methods:
 - 4 Front-panel Push Buttons
 - MeterView Pro Software (with PC)

Electrical

- Supply Voltage:
 - VAC: 85 - 265
 - VDC: 12 - 24
- Input Impedance:
 - Voltage Inputs: > 500 kΩ
 - Current Inputs: 50 - 100 Ω
- SPDT Relays:
 - 3 A @ 30 VDC / 125/250 VAC resistive loads
 - 1/14 HP (≈ 50 W) @125/250 VAC inductive loads
- Input Contact/Digital Input
 - Contact Voltage: 3.3 VDC
 - Digital Input Logic High: 3 - 5 VDC
 - Digital Input Logic Low: 0 -1.25 VDC
 - Default Logic: Normally Open/Low

Physical

- Size:
 - 4.68" x 2.45" x 5.64" (119 mm x 62 mm x 143 mm)
- Weight:
 - 9.5 oz (269 g)

Common Model Configurations

Din Mount Digital Display

Model Number	Model Description
DDD-A00	85 - 265 VAC input power, No outputs (visual display only)
DDD-A10	85 - 265 VAC input power, 4-20 mA output
DDD-A14	85 - 265 VAC input power, 4-20 mA output, 4 output relays
DDD-D00	12 - 24 VDC input power, No outputs (visual display only)
DDD-D02	12 - 24 VDC input power, 2 output relays
DDD-D14	12 - 24 VDC input power, 4-20 mA & 4 output relays

Din Mount Bright Digital Display

Model Number	Model Description
DBD-A00	85 - 265 VAC input power, No outputs (visual display only)
DBD-A10	85 - 265 VAC input power, 4-20 mA output
DBD-A14	85 - 265 VAC input power, 4-20 mA output, 4 output relays
DBD-D00	12 - 24 VDC input power, No outputs (visual display only)
DBD-D02	12 - 24 VDC input power, 2 output relays
DBD-D14	12 - 24 VDC input power, 4-20 mA & 4 output relays

Model Configuration Options



Model Number: DDD -
 A B C

A. Input Power

- A**[▲] 85-265 VAC
- D** 12-24 VDC

B. Analog Output

- 0**[▲] No Analog Output
- 1** 4-20 mA Ouptut

C. Output SPDT Relays

- 0**[▲] No Relays
- 2** 2 Relays
- 4** 4 Relays

Note: ▲ Indicates this option is standard

Model Number: DBD -
 A B C

A. Input Power

- A**[▲] 85-265 VAC
- D** 12-24 VDC

B. Analog Output

- 0**[▲] No Analog Output
- 1** 4-20 mA Ouptut

C. Output SPDT Relays

- 0**[▲] No Relays
- 2** 2 Relays
- 4** 4 Relays

Note: ▲ Indicates this option is standard