

# Operating Instructions

## Proline Promag D 10

Electromagnetic flowmeter  
HART





## Table of contents

<b>1</b>	<b>About this document</b>	<b>6</b>	<b>8</b>	<b>Commissioning</b>	<b>62</b>
	Document function	6		Post-installation check and post-connection check	62
	Associated documentation	6		IT security	62
	Symbols	7		Device-specific IT security	62
	Registered trademarks	9		Switching on the device	63
<b>2</b>	<b>Safety instructions</b>	<b>12</b>		Commissioning the device	64
	Requirements for specialist personnel	12	<b>9</b>	<b>Operation</b>	<b>68</b>
	Requirements for operating personnel	12		Reading the device locking status	68
	Incoming acceptance and transport	12		HistoROM data management	68
	Adhesive labels, tags and engravings	12	<b>10</b>	<b>Diagnostics and troubleshooting</b>	<b>70</b>
	Environment and process	12		General troubleshooting	70
	Occupational safety	12		Diagnostic information via LED	71
	Installation	12		Diagnostic information on local display	73
	Electrical connection	12		Diagnostic information in FieldCare or DeviceCare	74
	Surface temperature	13		Changing the diagnostic information	75
	Commissioning	13		Overview of diagnostic information	76
	Modifications to the device	13		Pending diagnostic events	79
<b>3</b>	<b>Product information</b>	<b>16</b>		Diagnostic list	80
	Measuring principle	16		Event logbook	80
	Designated use	16		Device reset	82
	Incoming acceptance	16	<b>11</b>	<b>Maintenance</b>	<b>84</b>
	Product identification	17		Maintenance tasks	84
	Transport	19		Services	84
	Checking the storage conditions	21	<b>12</b>	<b>Disposal</b>	<b>86</b>
	Recycling of packaging materials	21		Removing the device	86
	Product design	22		Disposing of the device	86
	Firmware history	24	<b>13</b>	<b>Technical data</b>	<b>88</b>
	Device history and compatibility	24		Input	88
<b>4</b>	<b>Installation</b>	<b>26</b>		Output	89
	Installation conditions	26		Power supply	93
	Device installation	30		Cable specification	95
	Post-installation check	35		Performance characteristics	97
<b>5</b>	<b>Electrical connection</b>	<b>38</b>		Environment	99
	Connection conditions	38		Process	101
	Connecting cable connection	39		Mechanical construction	103
	Connecting the transmitter	43		Local display	108
	Ensuring potential matching	45		Certificates and approvals	109
	Removing a cable	46		Application packages	110
	Hardware settings	47	<b>14</b>	<b>Dimensions in SI units</b>	<b>114</b>
	Post-connection check	48		Compact version	114
<b>6</b>	<b>Operation</b>	<b>50</b>		Remote version	116
	Overview of the operating options	50		Flange connections	119
	Local operation	50		Couplings	122
	SmartBlue App	55		Accessories	123
<b>7</b>	<b>System integration</b>	<b>58</b>			
	Device description files	58			
	Measured variables via HART protocol	58			

---

<b>15</b>	<b>Dimensions in US units</b>	<b>126</b>
	Compact version	126
	Remote version	128
	Flange connections	131
	Couplings	132
	Accessories	133
<b>16</b>	<b>Accessories</b>	<b>136</b>
	Device-specific accessories	136
	Communication-specific accessories	137
	Service-specific accessory	137
	System components	138
<b>17</b>	<b>Appendix</b>	<b>140</b>
	Screw tightening torques	140
	Examples for electric terminals	142

**Index**

# 1 About this document

---

Document function	6
Associated documentation	6
Symbols	7
Registered trademarks	9

## Document function




These Operating Instructions provide all of the information that is required in various phases of the life cycle of the device:

- Incoming acceptance and product identification
- Storage and transport
- Installation and connection
- Commissioning and operation
- Diagnostics and troubleshooting
- Maintenance and disposal

## Associated documentation

Technical Information	Overview of the device with the most important technical data.
Operating Instructions	All the information that is required in the various phases of the life cycle of the device: from product identification, incoming acceptance and storage, to mounting, connection, operation and commissioning through to troubleshooting, maintenance and disposal as well as the technical data and dimensions.
Sensor Brief Operating Instructions	Incoming acceptance, transport, storage and mounting of the device.
Transmitter Brief Operating Instructions	Electrical connection and commissioning of the device.
Description of Parameters	Detailed explanation of the menus and parameters.
Safety Instructions	Documents for the use of the device in hazardous areas.
Special Documentation	Documents with more detailed information on specific topics.
Installation Instructions	Installation of spare parts and accessories.

The related documentation is available online:

W@M Device Viewer	On the <a href="http://www.endress.com/deviceviewer">www.endress.com/deviceviewer</a> website, enter the serial number of the device: nameplate → <i>Product identification</i> ,  17
Endress+Hauser Operations App	<ul style="list-style-type: none"> <li>▶ Scan the Data Matrix code: nameplate → <i>Product identification</i>,  17</li> <li>▶ Enter the serial number of the device: nameplate → <i>Product identification</i>,  17</li> </ul>

## Symbols

### Warnings

#### DANGER

This symbol alerts you to an immediate dangerous situation. Failure to avoid the situation will result in a fatal or serious injury.

#### WARNING

This symbol alerts you to a potentially dangerous situation. Failure to avoid the situation may result in a fatal or serious injury.





#### CAUTION

This symbol alerts you to a potentially dangerous situation. Failure to avoid the situation may result in a minor or mild injury.





#### NOTICE

This symbol alerts you to a potentially harmful situation. Failure to avoid the situation may result in damage to the facility or to something in the facility's vicinity.


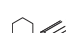

### Electronics

-  Direct current
-  Alternating current
-  Direct current and alternating current
-  Protective earthing









### Device communication

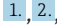




-  Bluetooth is enabled.
-  LED is off.
-  LED flashing.
-  LED lit.

### Tools



-  Flat blade screwdriver
-  Hexagon wrench
-  Wrench

### Types of information

-  Preferred procedures, processes or actions
-  Permitted procedures, processes or actions
-  Forbidden procedures, processes or actions
-  Additional information
-  Reference to documentation
-  Reference to page
-  Reference to graphic
-  Measure or individual action to be observed

-  Series of steps
-  Result of a step
-  Help in the event of a problem
-  Visual inspection
-  Write-protected parameter

### Explosion protection

-  Hazardous area
-  Non-hazardous area



## Registered trademarks

### **HART®**

Registered trademark of the FieldComm Group, Austin, USA

### **Bluetooth®**

The Bluetooth word mark and Bluetooth logos are registered trademarks of Bluetooth SIG. Inc. and any use of such marks by Endress+Hauser is under license. Other trademarks and trade names are those of their respective owners.

### **Apple®**

Apple, the Apple logo, iPhone, and iPod touch are trademarks of Apple Inc., registered in the U.S. and other countries. App Store is a service mark of Apple Inc.

### **Android®**

Android, Google Play and the Google Play logo are trademarks of Google Inc.



## 2 Safety instructions

---

Requirements for specialist personnel	12
Requirements for operating personnel	12
Incoming acceptance and transport	12
Adhesive labels, tags and engravings	12
Environment and process	12
Occupational safety	12
Installation	12
Electrical connection	12
Surface temperature	13
Commissioning	13
Modifications to the device	13

## Requirements for specialist personnel

- ▶ Installation, electrical connection, commissioning, diagnostics and maintenance of the device must only be carried out by trained, specialist personnel authorized by the facility's owner-operator.
- ▶ Before commencing work, the trained, specialist personnel must carefully read, understand and adhere to the Operating Instructions, additional documentation and certificates.
- ▶ Comply with national regulations.

## Requirements for operating personnel

- ▶ Operating personnel are authorized by the facility's owner-operator and are instructed according to the requirements of the task.
- ▶ Before commencing work, the operating personnel must carefully read, understand and adhere to the instructions provided in the Operating Instructions and additional documentation.

## Incoming acceptance and transport

- ▶ Transport the device in a correct and appropriate manner.
- ▶ Do not remove protective covers or protective caps on the process connections.

## Adhesive labels, tags and engravings

- ▶ Pay attention to all the safety instructions and symbols on the device.

## Environment and process

- ▶ Only use the device for the measurement of appropriate media.
- ▶ Keep within the device-specific pressure range and temperature range.
- ▶ Protect the device from corrosion and the influence of environmental factors.

## Occupational safety

- ▶ Wear the required protective equipment according to national regulations.
- ▶ Do not ground the welding unit by means of the device.
- ▶ Wear protective gloves if working on and with the device with wet hands.

## Installation

- ▶ Do not remove protective covers or protective caps on the process connections until just before you install the sensor.
- ▶ Do not damage or remove the liner on the flange.
- ▶ Observe tightening torques.

## Electrical connection

- ▶ Comply with national installation regulations and guidelines.
- ▶ Observe cable specifications and device specifications.
- ▶ Check the cable for damage.

- ▶ If using the device in hazardous areas, observe the "Safety Instructions" documentation.
- ▶ Provide (establish) potential equalization.
- ▶ Provide (establish) grounding.

## Surface temperature

Media with elevated temperatures can cause the surfaces of the device to become hot. For this reason, note the following:

- ▶ Mount suitable touch protection.
- ▶ Wear suitable protective gloves.

## Commissioning

- ▶ Operate the device only if it is in proper technical condition, free from errors and faults.
- ▶ Only put the device into operation once you have performed the post-installation check and post-connection check.

## Modifications to the device

Modifications or repairs are not permitted and can pose a danger. For this reason, note the following:

- ▶ Only carry out modifications or repairs after consulting beforehand with an Endress+Hauser service organization.
- ▶ Only use original spare parts and original accessories from Endress+Hauser.
- ▶ Install original spare parts and original accessories according to the Installation Instructions.



## 3 Product information

---

Measuring principle	16
Designated use	16
Incoming acceptance	16
Product identification	17
Transport	19
Checking the storage conditions	21
Recycling of packaging materials	21
Product design	22
Firmware history	24
Device history and compatibility	24

## Measuring principle

Electromagnetic flow measurement on the basis of *Faraday's law of magnetic induction*.

## Designated use

The device is only suitable for flow measurement of liquids with a minimum conductivity of 5  $\mu\text{S}/\text{cm}$ .

Depending on the version, the device measures potentially explosive, flammable, poisonous and oxidizing media.

Devices for use in a hazardous area, in hygienic applications, or where there is an increased risk due to process pressure, are labeled accordingly on the nameplate.

Non-designated use can compromise safety. The manufacturer is not liable for damage caused by improper or non-designated use.

## Incoming acceptance

Is technical documentation provided with the device?	<input type="checkbox"/>
Does the scope of supply match the specifications on the delivery note?	<input type="checkbox"/>
Is the order code on the delivery note and nameplate identical?	<input type="checkbox"/>
Does the device bear any signs of damage from transportation?	<input type="checkbox"/>
Has an incorrect device been ordered or delivered or has the device been damaged in transit? Complaints or returns: <a href="http://www.services.endress.com/return-material">www.services.endress.com/return-material</a>	<input type="checkbox"/>



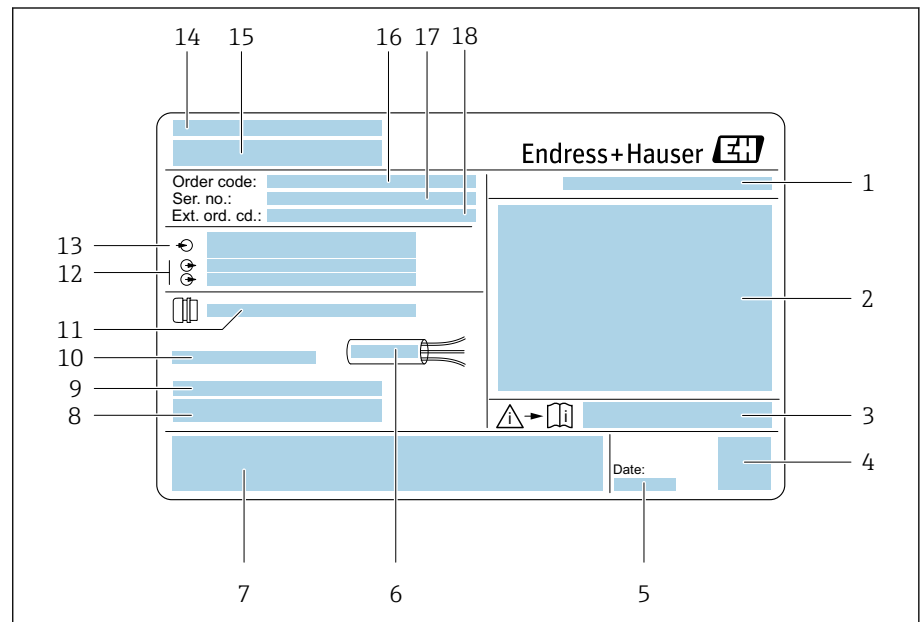
## Product identification

### Device name

The device comprises the following parts:

- Proline 10 transmitter
- Promag D sensor

### Transmitter nameplate

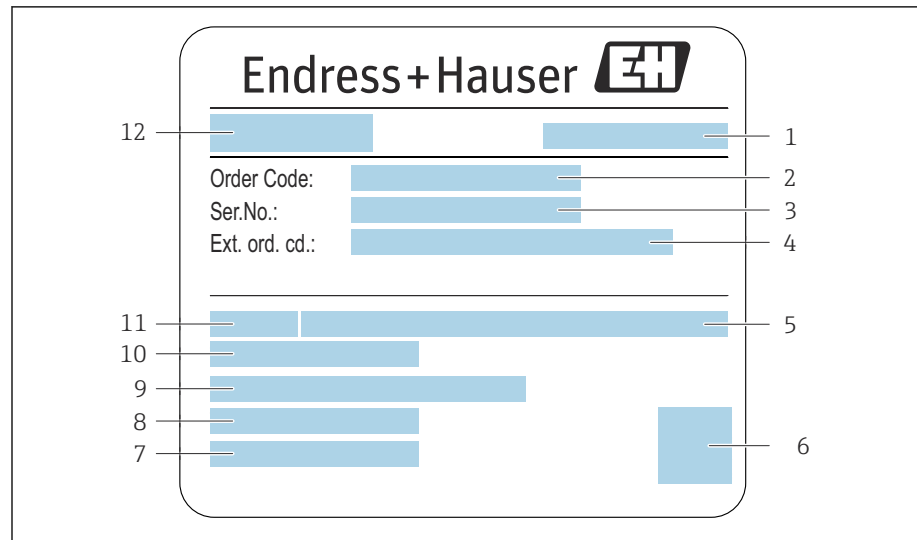


A0042943


1 Example of a transmitter nameplate

- 1 Degree of protection
- 2 Approvals for hazardous area, electrical connection data
- 3 Document number of safety-related supplementary documentation
- 4 Data Matrix code
- 5 Manufacturing date: year-month
- 6 Permitted temperature range for cable
- 7 CE mark and other approval marks
- 8 Firmware version (FW) and device revision (Dev.Rev.) from the factory
- 9 Additional information in the case of special products
- 10 Permitted ambient temperature ( $T_a$ )
- 11 Information on the cable entry
- 12 Available inputs and outputs: supply voltage
- 13 Electrical connection data: supply voltage and supply power
- 14 Place of manufacture
- 15 Transmitter name
- 16 Order code
- 17 Serial number
- 18 Extended order code

## Sensor nameplate



A0044151

 2 Example of sensor nameplate

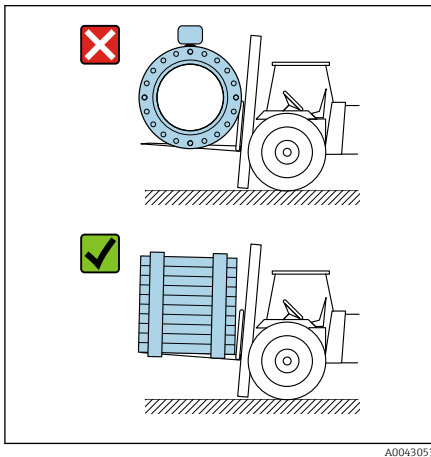
- 1 Place of manufacture
- 2 Order code
- 3 Serial number (ser. no.)
- 4 Extended order code (ext. ord. cd.)
- 5 Nominal pressure
- 6 2-D matrix code
- 7 Degree of protection
- 8 Permitted ambient temperature range
- 9 Material of lining and electrodes
- 10 Medium temperature range
- 11 Nominal diameter of sensor
- 12 Name of the sensor

## Transport

### Protective packaging

Protective covers or protective caps are fitted on the process connections to protect against damage and dirt.

### Transporting in the original packaging



A0043053

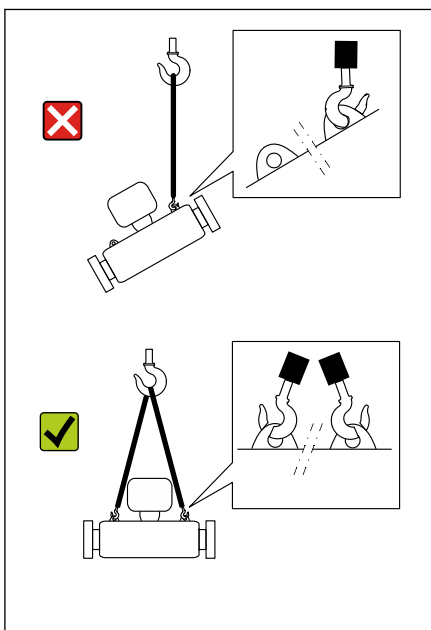
#### NOTICE

##### Original packaging is missing!

Damage to the magnetic coil.

- ▶ Only lift and transport the device in the original packaging.

### Transporting with lifting lugs



A0043058

#### ⚠ DANGER

##### Potentially life-threatening hazard from suspended loads!

The device could fall.

- ▶ Secure the device against slipping and turning.
- ▶ Do not move suspended loads over people.
- ▶ Do not move suspended loads over unprotected areas.

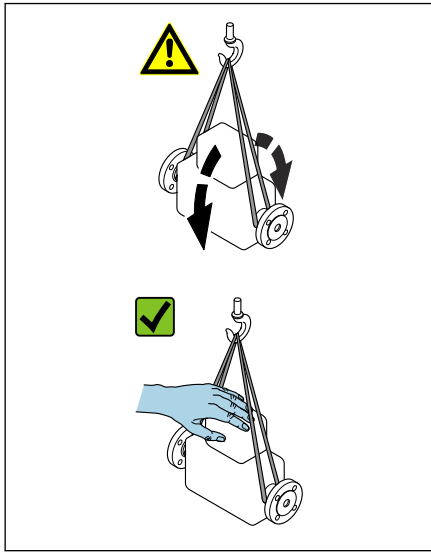
#### NOTICE

##### Lifting equipment incorrectly attached!

Lifting equipment attached on one side only can damage the device.

- ▶ Attach lifting equipment to both lifting lugs.

## Transporting without lifting lugs

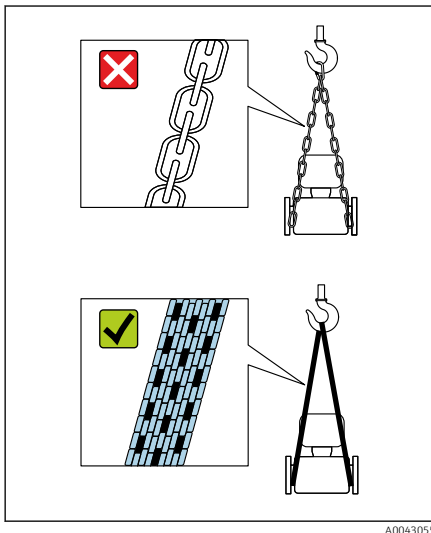


### **⚠ DANGER**

#### **Potentially life-threatening hazard from suspended loads!**

The device could fall.

- ▶ Secure the device against slipping and turning.
- ▶ Do not move suspended loads over people.
- ▶ Do not move suspended loads over unprotected areas.

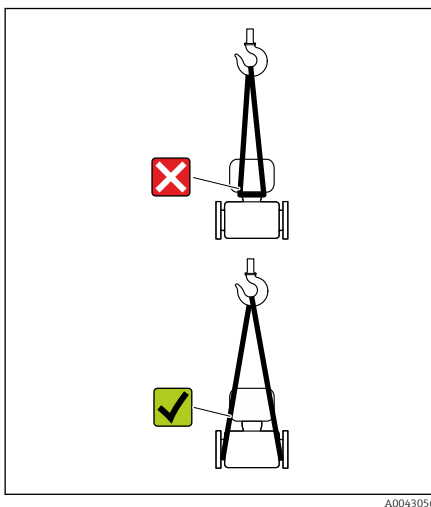


### **NOTICE**

#### **Incorrect lifting equipment can damage the device!**

The use of chains as hoists can damage the device.

- ▶ Use textile hoists.



### **NOTICE**

#### **Lifting equipment incorrectly attached!**

Lifting equipment attached to unsuitable points can damage the device.

- ▶ Attach lifting equipment to both process connections of the device.

## Checking the storage conditions

Are the protective covers or protection caps on the process connections?	<input type="checkbox"/>
Is the device in the original packaging?	<input type="checkbox"/>
Is the device protected against sunlight?	<input type="checkbox"/>
Is it guaranteed that the device is not stored outdoors?	<input type="checkbox"/>
Is the device stored in a dry and dust-free place?	<input type="checkbox"/>
Does the storage temperature match the device ambient temperature specified on the nameplate?	<input type="checkbox"/>
Is the possibility of moisture/condensation collecting on the device and original packaging as a result of variations in temperature ruled out?	<input type="checkbox"/>

## Recycling of packaging materials

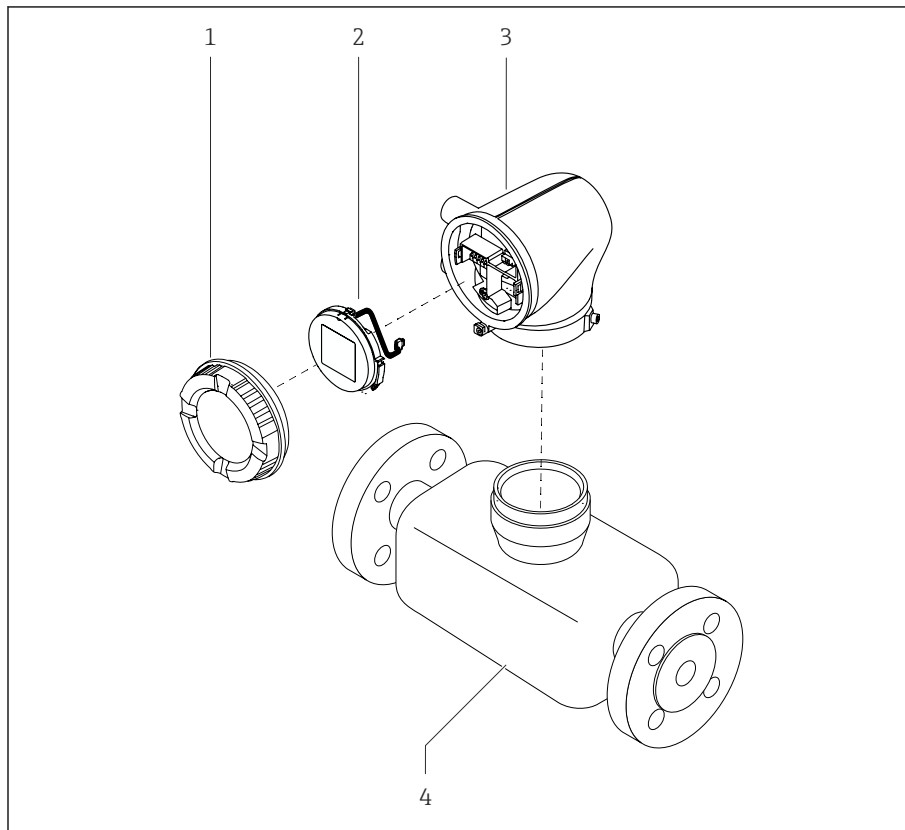
All packaging materials and packaging aids must be recycled as specified by national regulations.

- Stretch wrap: polymer in accordance with EU Directive 2002/95/EC (RoHS)
- Crate: wood in accordance with ISPM 15 standard, confirmed by IPPC logo
- Cardboard box: in accordance with European Packaging Directive 94/62/EC, confirmed by Resy symbol
- Disposable pallet: plastic or wood
- Packaging straps: plastic
- Adhesive strips: plastic
- Padding: paper

## Product design

### Compact version

The transmitter and sensor form a mechanical unit.

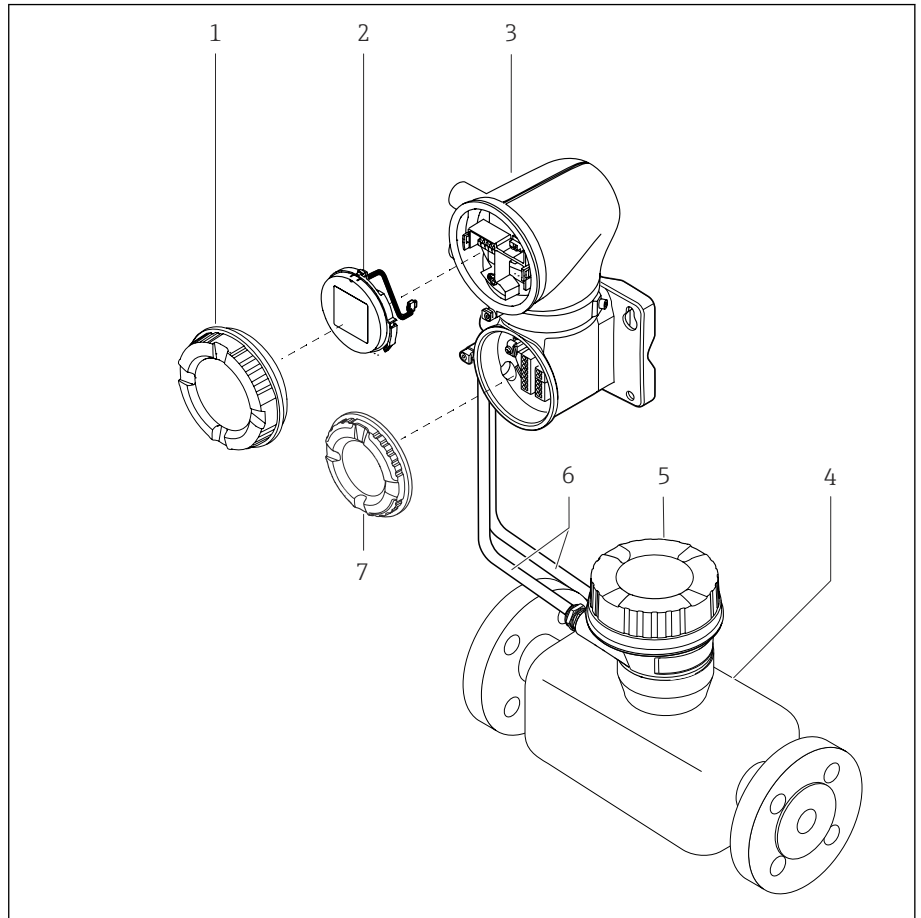


#### 3 Main device components

- 1 Housing cover
- 2 Display module
- 3 Transmitter housing
- 4 Sensor

### Remote version

The transmitter and sensor are installed in physically separate locations.



A0043524

#### 4 Main device components

- 1 Housing cover
- 2 Display module
- 3 Transmitter housing
- 4 Sensor
- 5 Sensor connection housing
- 6 Connecting cable consisting of coil current cable and electrode cable
- 7 Connection compartment cover

## Firmware history

List of firmware versions and changes since previous version

Firmware version 01.00.zz		
Release date	2021-07-01	Original firmware
Version of the Operating Instructions	01.21	
Order code for "Firmware version"	Option 78	

## Device history and compatibility

List of device models and changes since previous model

Device model A1		
Release	2021-08-01	-
Version of the Operating Instructions	01.21	
Compatibility with previous model	-	



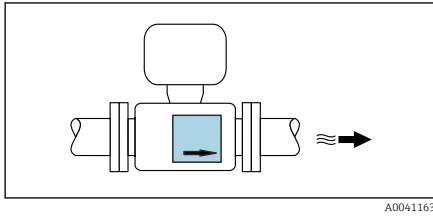
## 4 Installation

---

Installation conditions	26
Device installation	30
Post-installation check	35

## Installation conditions

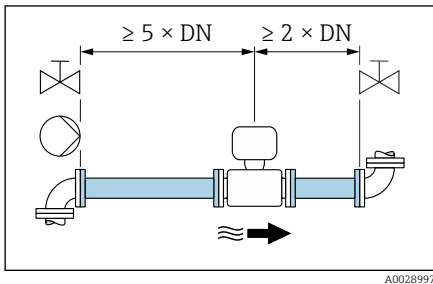
### Flow direction



Install the device in the direction of flow.

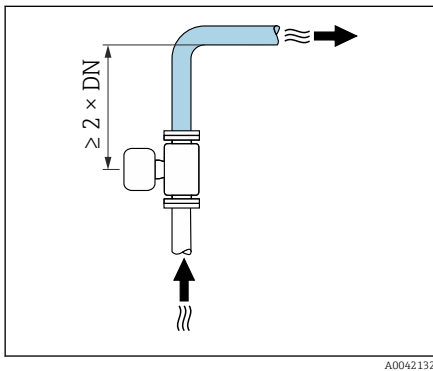
**i** Note the direction of arrow on the nameplate.

### Inlet runs and outlet runs



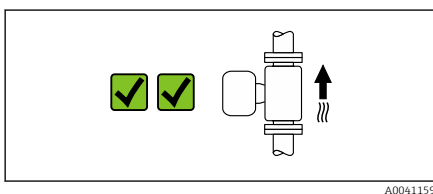
Ensure straight, undisturbed inlet and outlet runs.

**i** To avoid negative pressure and to comply with accuracy specifications, install the sensor upstream from assemblies that produce turbulence (e.g. valves, T-sections) and downstream from pumps → *Installation near pumps*, 28.



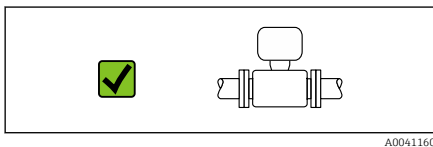
Keep a sufficient distance to the next pipe elbow.

### Orientations



#### Vertical orientation, upward direction of flow

For all applications.

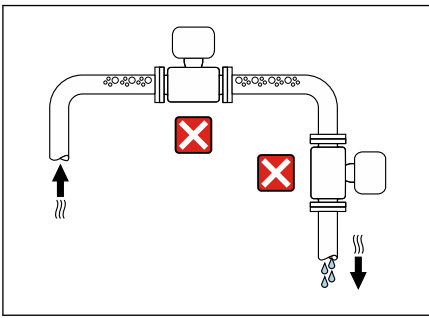


#### Horizontal orientation, transmitter at top

This orientation is suitable for the following applications:

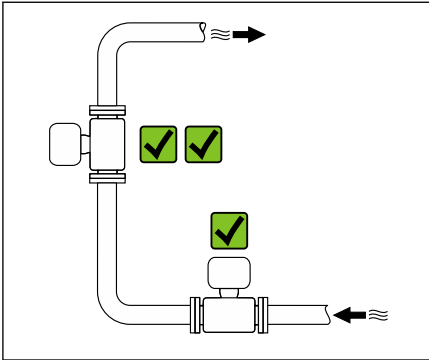
For low process temperatures in order to maintain the minimum ambient temperature for the transmitter.

### Mounting locations



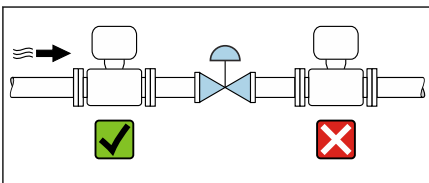
A0042131

- Do not install the device at the highest point of the pipe.
- Do not install the device upstream from a free pipe outlet in a down pipe.



A0042317

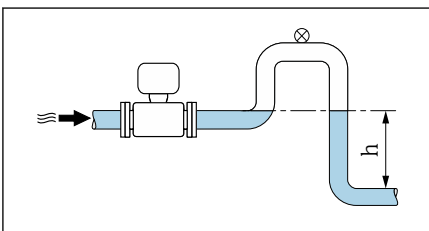
### Installation near control valves



A0041091

Install the device in the direction of flow upstream from the control valve.

### Installation upstream from a down pipe



A0041089

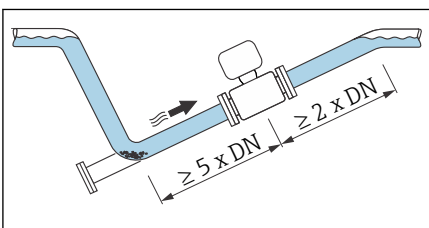
#### NOTICE

**Negative pressure in the measuring pipe can damage the liner!**

- If installing upstream from down pipes with a length  $h \geq 5 \text{ m}$  (16.4 ft): install a siphon with a vent valve downstream from the device.

**i** This arrangement prevents the flow of liquid stopping in the pipe and air entrainment.

### Installation with partially filled pipes



A0041088

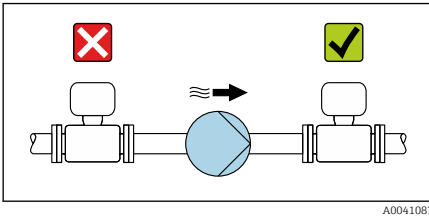
- Partially filled pipes with a gradient require a drain-type configuration.
- The installation of a cleaning valve is recommended.

## Installation near pumps

### NOTICE

**Negative pressure in the measuring pipe can damage the liner!**

- ▶ Install the device in the direction of flow downstream from the pump.
- ▶ Install pulsation dampers if reciprocating, diaphragm or peristaltic pumps are used.



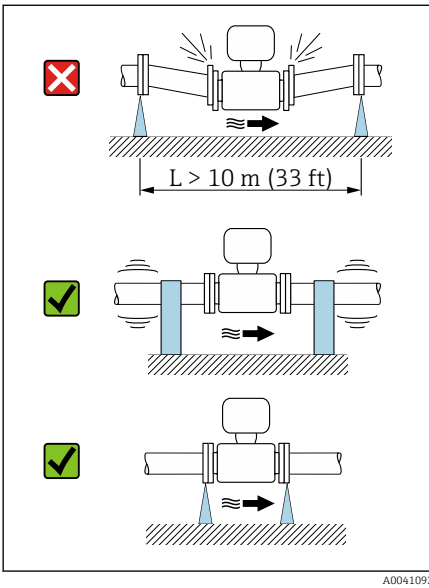
## Pipe vibrations

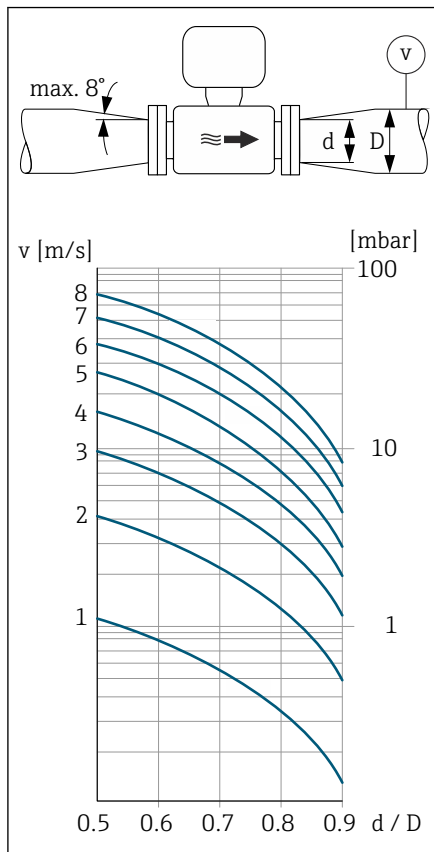
A remote version is recommended in the event of strong pipe vibrations.

### NOTICE

**Pipe vibrations can damage the device!**

- ▶ Do not expose the device to strong vibrations.
- ▶ Support the pipe and fix it in place.
- ▶ Support the device and fix it in place.
- ▶ Mount the sensor and transmitter separately.





A0041086

## Adapters

Suitable adapters (double-flange reducers) can be used to install the sensor in larger-diameter pipes. The resulting higher rate of flow improves measuring accuracy with very slow-moving media.

**i** The nomogram shown here can be used to calculate the pressure loss caused by reducers and expanders. It only applies to liquids with a viscosity similar to that of water.

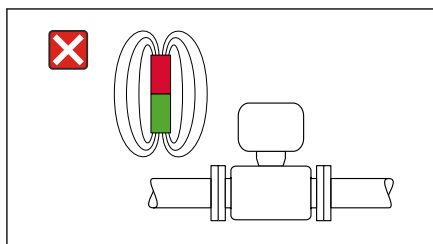
1. Calculate the ratio of the diameters  $d/D$ .
2. Determine the flow velocity after the reduction.
3. From the chart, determine the pressure loss as a function of the flow velocity  $v$  and the  $d/D$  ratio.

## Seals

Note the following when installing seals:

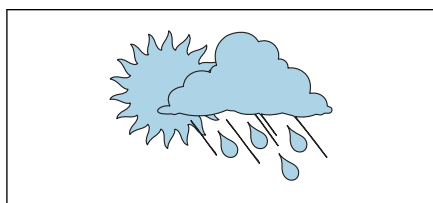
- Use seals with a hardness rating of 70° Shore.
- For DIN flanges: only install seals according to DIN EN 1514-1.

## Magnetism and static electricity



A0042152

Do not install the device near magnetic fields, e.g. motors, pumps, transformers.



A0023989

## Outdoor use

- Avoid exposure to direct sunlight.
- Install in a location protected from sunlight.
- Avoid direct exposure to weather conditions.
- Use a weather protection cover → *Transmitter*, 136.

## Device installation

### Preparing the device

1. Remove the entire transportation packaging.
2. Remove protective covers or protective caps on the device.

### Installing seals

#### **⚠ WARNING**

#### **Improper process sealing can put staff at risk!**

- ▶ Check whether the seals are clean and undamaged.

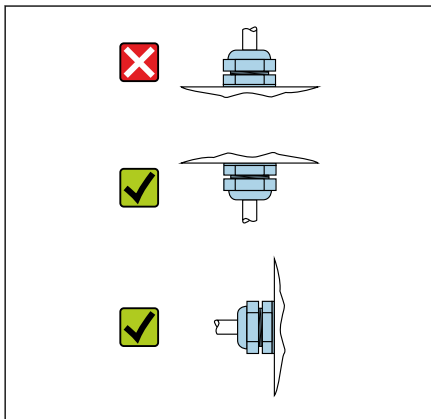
#### **NOTICE**

#### **Incorrect installation can lead to incorrect measurement results!**

- ▶ The internal diameter of the seal must be greater than or equal to that of the process connection and pipe.
- ▶ Fit the seals and measuring pipe centrally.
- ▶ Make sure that the seals do not protrude into the pipe cross-section.

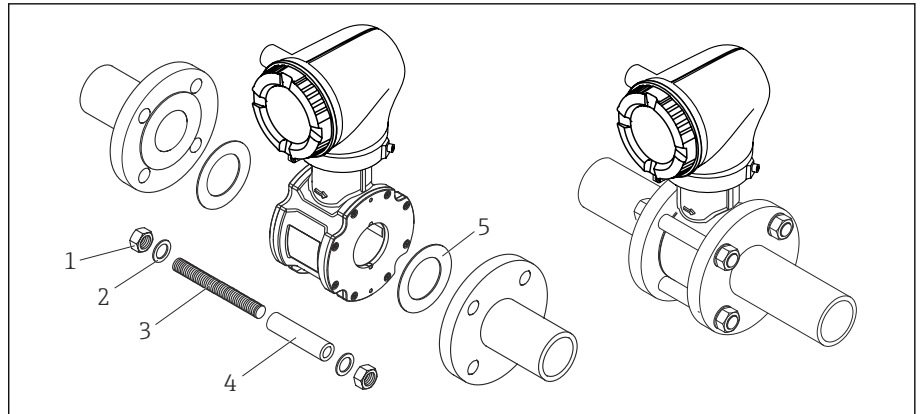
### Installing the sensor

1. Ensure that the direction of the arrow on the sensor matches the flow direction of the medium.
2. Install and turn the device or transmitter housing in such a way that the cable entries point down or to the side.



### Mounting kit

- i** A mounting kit can be ordered separately → *Device-specific accessories*, 136.



A0045604

▣ 5 *Mounting kit consisting of:*

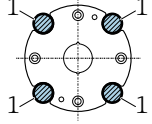
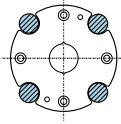
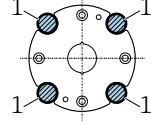
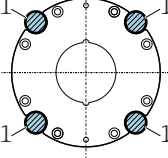
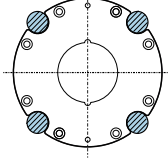
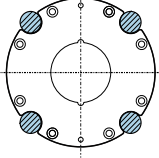
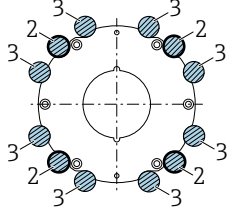
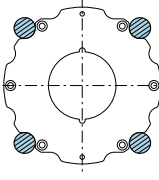
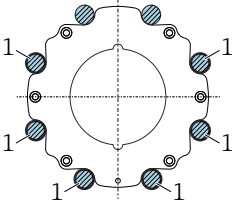
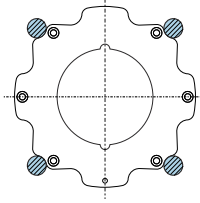
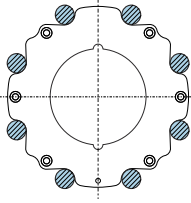
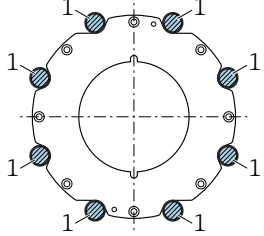
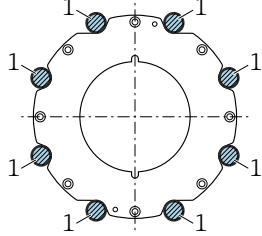
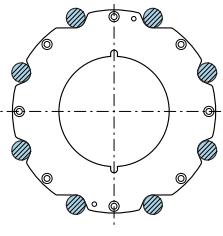
- 1 Nut
- 2 Washer
- 3 Mounting bolts
- 4 Centering sleeve
- 5 Seal

1. Mount the device between the pipe flanges with a mounting kit.
2. The device is centered using the recesses on the sensor.
3. Depending on the flange standard or diameter of the pitch circle, install the additional centering sleeves.
4. Observe tightening torques → *Screw tightening torques*, ☰ 140.

The arrangement of the mounting bolts and the use of the centering sleeves supplied are dependent on the nominal diameter, the flange standard and the diameter of the pitch circle.

### Arranging the mounting bolts and centering sleeves

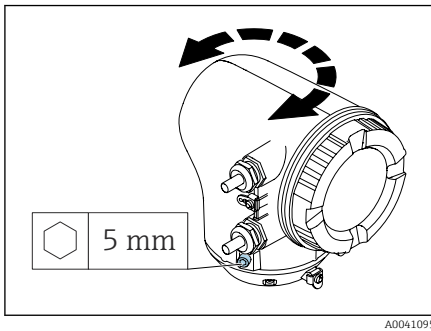
The device is centered using recesses on the sensor. The arrangement of the mounting bolts and the use of the centering sleeves supplied are dependent on the nominal diameter, the flange standard and the diameter of the pitch circle.

Nominal diameter		Process connection		
[mm]	[in]	EN 1092-1	ASME B16.5	JIS B2220
25...40	1...1 ½	 A0029490	 A0029491	 A0029490
50	2	 A0029492	 A0029493	 A0029493
65	2 ½	 A0029494	-	 A0029495
80	3	 A0029496	 A0029497	 A0029498
100	4	 A0029499	 A0029499	 A0029500

- 1 = Mounting bolts with centering sleeves
- 2 = EN (DIN) flange: 4-hole → with centering sleeves
- 3 = EN (DIN) flange: 8-hole → without centering sleeves

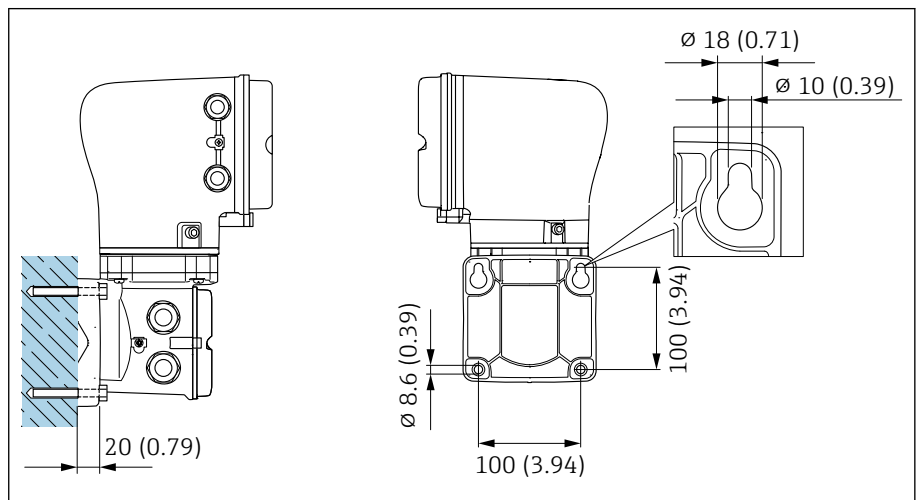


## Turning the transmitter housing



1. Loosen the fixing screws on both sides of the transmitter housing.
2. **NOTICE**  
**Overrotation of the transmitter housing!**  
 Interior cables are damaged.
  - ▶ Turn the transmitter housing a maximum of 180° in each direction.
 Turn the transmitter housing to the desired position.
3. Tighten the screws in the logically reverse sequence.

## Mounting the transmitter on the wall



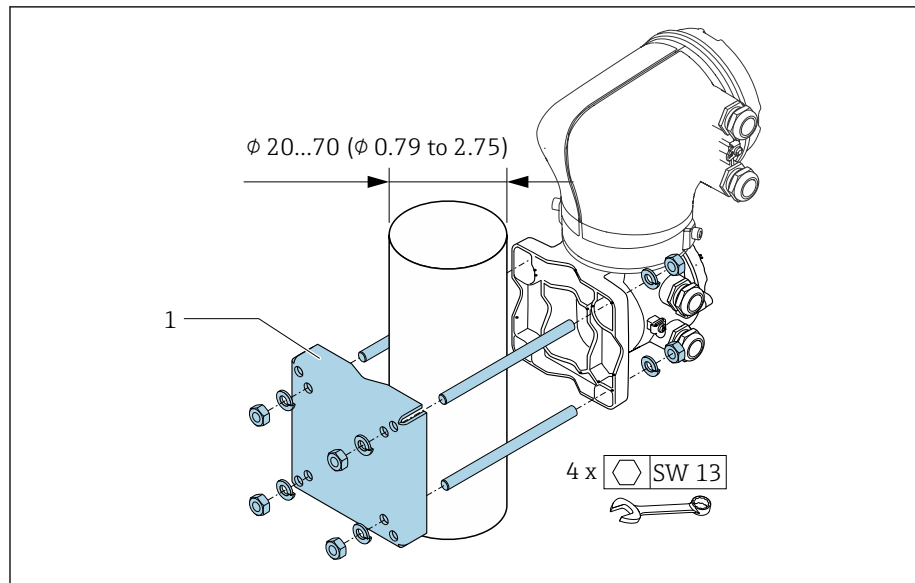
6 Engineering unit mm (in)

### NOTICE

#### Ambient temperature too high!

- If the electronics overheat this can damage the transmitter housing.
- ▶ Do not exceed the permissible temperature range for the ambient temperature.
  - ▶ Use a weather protection cover → *Transmitter*, 136.
  - ▶ Mount the device correctly.

## Mounting the transmitter on a post



A0043471

7 Engineering unit mm (in)

### NOTICE

#### Ambient temperature too high!

If the electronics overheat this can damage the transmitter housing.

- ▶ Do not exceed the permissible temperature range for the ambient temperature.
- ▶ Use a weather protection cover → *Transmitter*, 136.
- ▶ Mount the device correctly.

## Post-installation check

Is the device undamaged (visual inspection)?	<input type="checkbox"/>
Does the device comply with the measuring point specifications? For example: <ul style="list-style-type: none"><li>▪ Process temperature</li><li>▪ Process pressure</li><li>▪ Ambient temperature</li><li>▪ Measuring range</li></ul>	<input type="checkbox"/>
Has the correct orientation been selected for the device?	<input type="checkbox"/>
Does the direction of the arrow on the device match the flow direction of the medium?	<input type="checkbox"/>
Is the device protected against precipitation and sunlight?	<input type="checkbox"/>
Are the screws tightened with the correct tightening torque?	<input type="checkbox"/>



## 5 Electrical connection

---

Connection conditions	38
Connecting cable connection	39
Connecting the transmitter	43
Ensuring potential matching	45
Removing a cable	46
Hardware settings	47
Post-connection check	48

## Connection conditions

### Notes on the electrical connection

#### WARNING


#### Components carry voltage!

Incorrect work performed on the electrical connections can result in an electric shock.

- ▶ Have electrical connection work carried out by appropriately trained specialists only.
- ▶ Comply with applicable federal/national installation codes and regulations.
- ▶ Comply with national and local workplace safety regulations.
- ▶ Establish the connections in the correct order: always make sure to first connect the protective earth (PE) to the inner ground terminal.
- ▶ When using in hazardous areas, observe the "Safety Instructions" document.
- ▶ Ground the device carefully and provide potential equalization.
- ▶ Connect protective earthing to all outer ground terminals.

### Additional protective measures

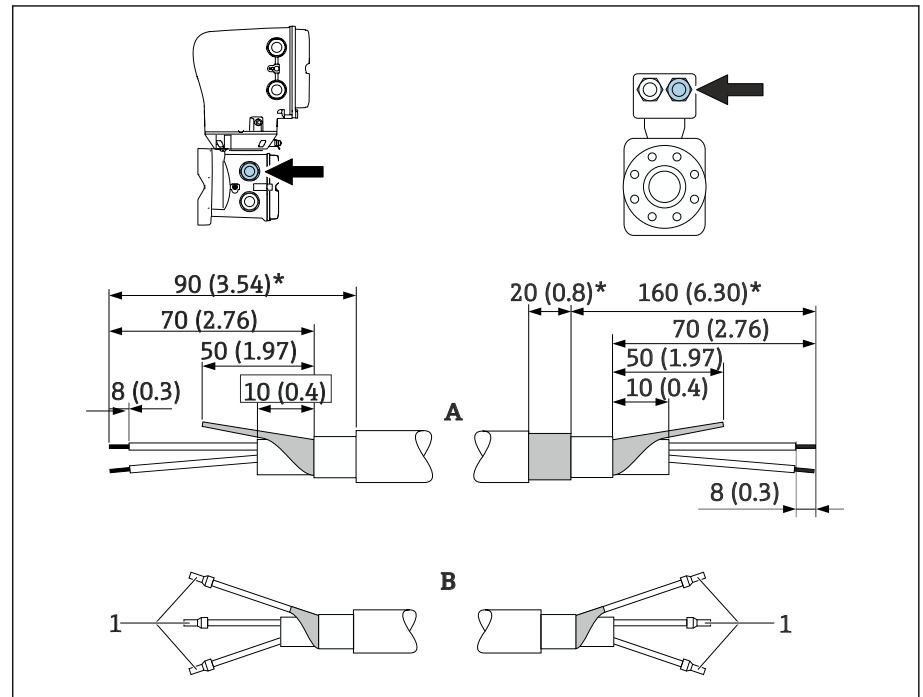
The following protective measures are required:

- Set up a disconnecting device (switch or power-circuit breaker) to easily disconnect the device from the supply voltage.
- In addition to the device fuse, include an overcurrent protection unit, with max. 10 A, in the facility installation.
- Plastic sealing plugs act as safeguards during transportation and must be replaced by suitable, individually approved installation material.
- Connection examples: → *Examples for electric terminals*,  142

## Connecting cable connection

### Preparing the connecting cable

#### Coil current cable

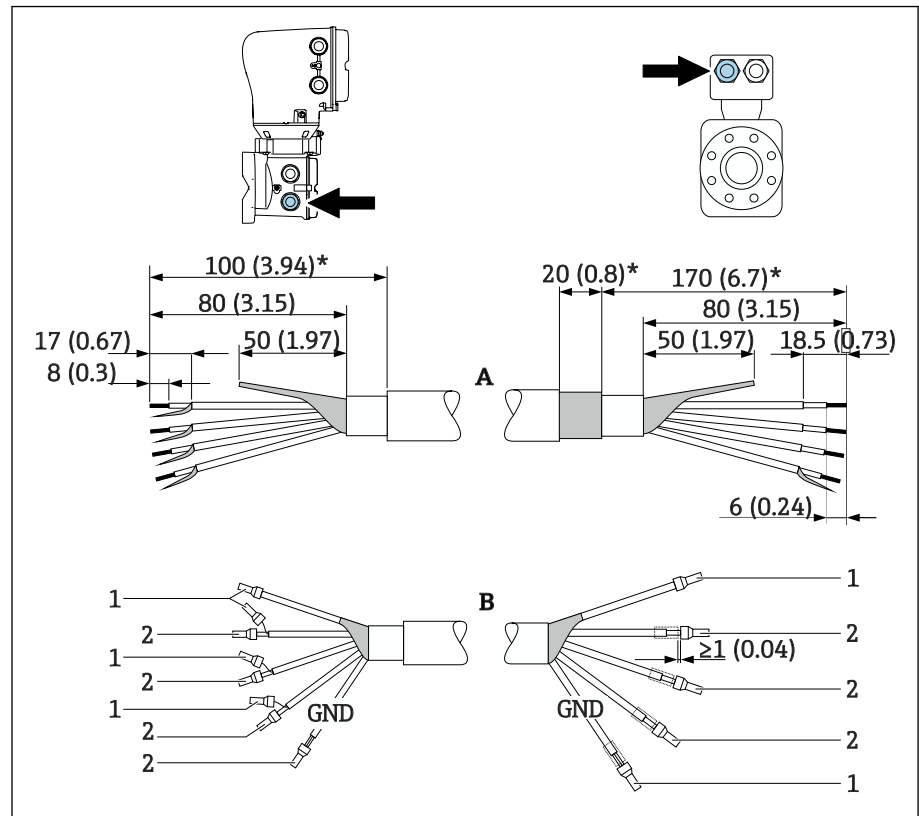


A0042278

1 Ferrules, red  $\phi 1.0$  mm (0.04 in)

1. Insulate one core of the three-core cable at the level of the core reinforcement. Only 2 cores are required for the connection.
2. A: Terminate coil current cable, strip reinforced cables (\*).
3. B: Fit ferrules over the strands and press in place.
4. Insulate the cable shield on the transmitter side, e.g. heat shrink tube.

Electrode cable



A0042424

- 1 Ferrules, red  $\phi 1.0$  mm (0.04 in)
- 2 Ferrules, white  $\phi 0.5$  mm (0.02 in)

1. Make sure that the ferrules do not touch the cable shields on the sensor side. Minimum distance = 1 mm (exception: green "GND" cable)
2. A: Terminate electrode cable, strip reinforced cables (\*).
3. B: Fit ferrules over the strands and press in place.
4. Insulate the cable shield on the transmitter side, e.g. heat shrink tube.



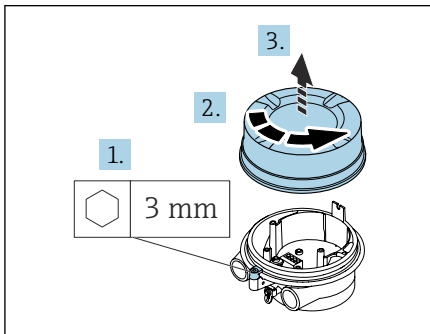
## Attaching the connecting cable

### Wiring the sensor connection housing

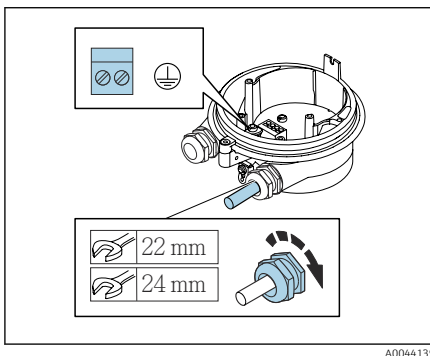
#### NOTICE

#### Incorrect wiring can damage the electronic components!

- ▶ Only connect sensors and transmitters with identical serial numbers.
- ▶ Connect the sensor connection housing and the transmitter housing to the potential equalization of the facility via the outer ground terminal.
- ▶ Connect the sensor and transmitter to the same potential.



1. Loosen the Allen key of the securing clamp.
2. Unscrew the connection compartment cover in the counterclockwise direction.



#### NOTICE

#### If the sealing ring is missing, the housing is not sealed tight!

Damage to the device.

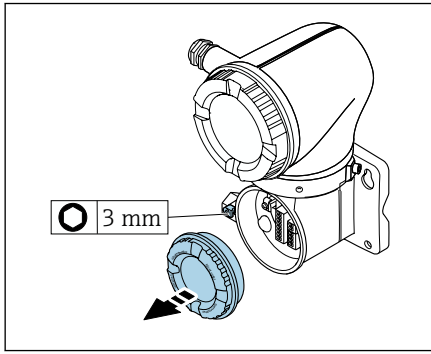
- ▶ Do not remove the sealing ring from the cable entry.
3. Feed the coil current cable and electrode cable through the corresponding cable entry.
  4. Adjust the cable lengths.
  5. connect the cable shield to the inner ground terminal.
  6. Strip the cable and cable ends.
  7. Fit ferrules over the strands and press in place.
  8. Connect the coil current cable and the electrode cable as per the terminal assignment.
  9. Tighten the cable glands.
  10. Screw on the connection compartment cover.
  11. Fasten the securing clamp.

### Wiring the transmitter housing

#### NOTICE

#### Incorrect wiring can damage the electronic components!

- ▶ Only connect sensors and transmitters with identical serial numbers.
- ▶ Connect the sensor connection housing and the transmitter housing to the potential equalization of the facility via the outer ground terminal.
- ▶ Connect the sensor and transmitter to the same potential.



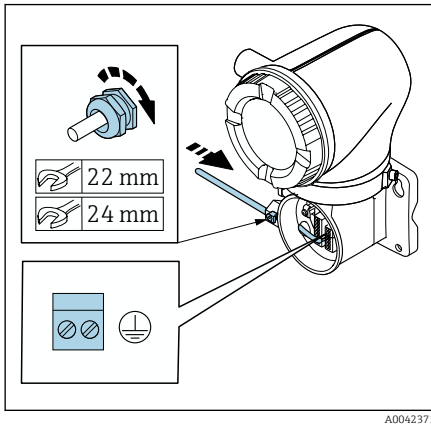
1. Loosen the Allen key of the securing clamp.
2. Unscrew the connection compartment cover in the counterclockwise direction.

#### NOTICE

**If the sealing ring is missing, the housing is not sealed tight!**

Damage to the device.

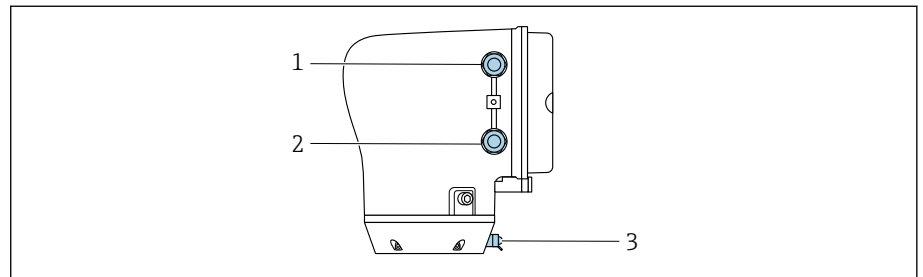
- ▶ Do not remove the sealing ring from the cable entry.



3. Feed the coil current cable and electrode cable through the corresponding cable entry.
4. Adjust the cable lengths.
5. Connect the cable shields to the inner ground terminal.
6. Strip the cable and cable ends.
7. Fit ferrules over the strands and press in place.
8. Connect the coil current cable and the electrode cable as per the terminal assignment.
9. Tighten the cable glands.
10. Screw on the connection compartment cover.
11. Fasten the securing clamp.

## Connecting the transmitter

### Transmitter terminal connections



- 1 Cable entry for power supply cable: supply voltage  
 2 Cable entry for signal cable  
 3 Ground terminal, outer

### Terminal assignment

**i** The terminal assignment is documented on an adhesive label.

The following terminal assignment is available:

*Current output 4 to 20 mA HART (active) and pulse/frequency/switch output*

Supply voltage		Output 1				Output 2	
1 (+)	2 (-)	26 (+)	27 (-)	24 (+)	25 (-)	22 (+)	23 (-)
L/+	N/-	Current output 4 to 20 mA HART (active)		-		Pulse/frequency/switch output (passive)	

*Current output 4 to 20 mA HART (passive) and pulse/frequency/switch output*

Supply voltage		Output 1				Output 2	
1 (+)	2 (-)	26 (+)	27 (-)	24 (+)	25 (-)	22 (+)	23 (-)
L/+	N/-	-		Current output 4 to 20 mA HART (passive)		Pulse/frequency/switch output (passive)	

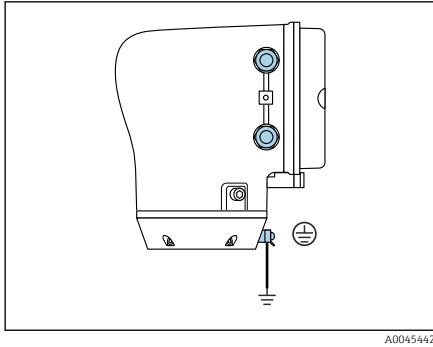
### Wiring the transmitter

- i**
- Use a suitable cable gland for the power supply cable and signal cable.
  - Pay attention to the requirements for the power supply cable and signal cable → *Requirements for connecting cable*, 95.
  - Use shielded cables for digital communication.

#### NOTICE

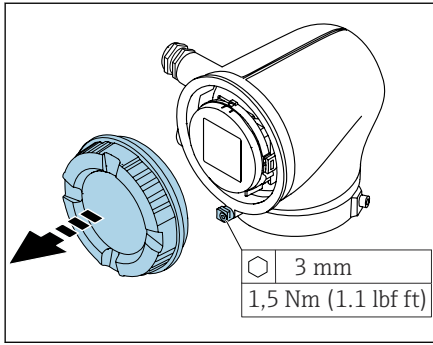
**If the cable gland is incorrect, this compromises the sealing of the housing!**  
 Damage to the device.

- Use a suitable cable gland corresponding to the degree of protection.



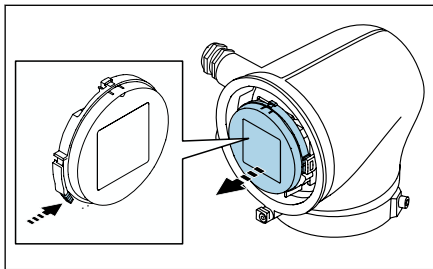
A004544

1. Ground the device carefully and provide potential equalization.
2. Connect protective earthing to the outer ground terminals.



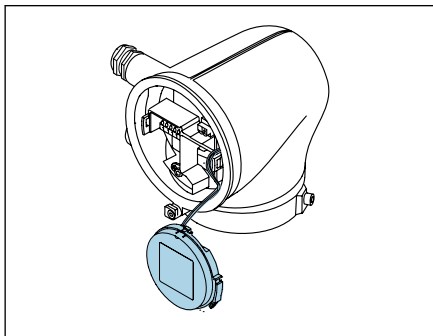
A0041094

3. Loosen the Allen key of the securing clamp.
4. Unscrew the housing cover in the counterclockwise direction.



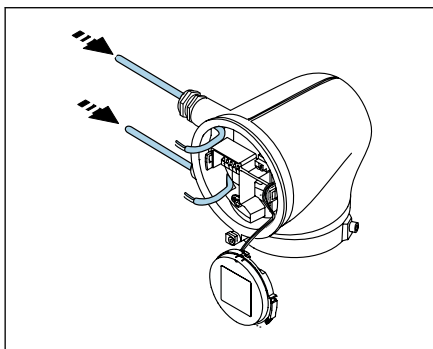
A0041330

5. Press the tab of the display module holder.
6. Remove the display module from the display module holder.



A0041354

- i** The cable must be in the tab for strain relief.
7. Let the display module hang down.



A0041356

8. Remove dummy plug if present.

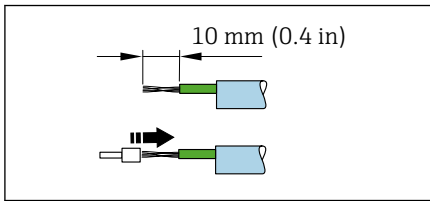
#### NOTICE

**If the sealing ring is missing, the housing is not sealed tight!**

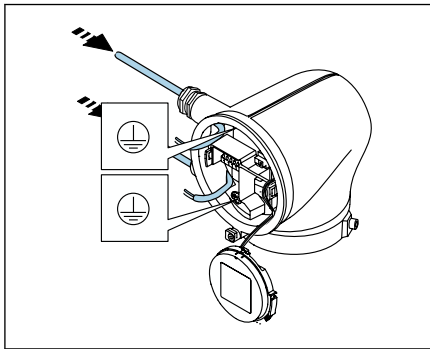
Damage to the device.

- ▶ Do not remove the sealing ring from the cable entry.

9. Feed the power supply cable and signal cable through the corresponding cable entry.



A0041357



A0041358

10. Strip the cable and cable ends.
11. Fit ferrules over the strands and press in place.

**i** The terminal assignment is documented on an adhesive label.

12. Connect the protective ground (PE) to the inner ground terminal.
13. Connect the power supply cable and signal cable as per the terminal assignment.
14. Connect the cable shields to the inner ground terminal.
15. Tighten the cable glands.
16. Follow the sequence in the reverse order to reassemble.

## Ensuring potential matching

### Introduction

Correct potential equalization (equipotential bonding) is a prerequisite for stable and reliable flow measurement. Inadequate or incorrect potential equalization can result in device failure and present a safety hazard.

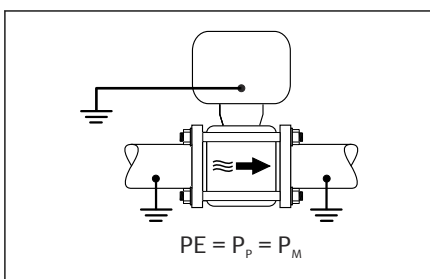
The following requirements must be observed to ensure correct, trouble-free measurement:

- The principle that the medium, the sensor and the transmitter must be at the same electrical potential applies.
- Take in-company grounding guidelines, materials and the grounding conditions and potential conditions of the pipe into consideration.
- Any necessary potential matching connections must be established by ground cables with a minimum cross-section of 6 mm<sup>2</sup> (0.0093 in<sup>2</sup>).
- In the case of remote device versions, the ground terminal in the example always refers to the sensor and not to the transmitter.

### Abbreviations used

- PE (Protective Earth): potential at the protective earth terminals of the device
- P<sub>p</sub> (Potential Pipe): potential of the pipe, measured at the flanges
- P<sub>M</sub> (Potential Medium): potential of the medium

### Connection examples for standard situations



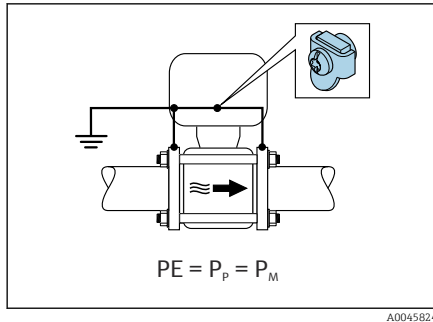
A0045825

#### Unlined and grounded metal pipe

- Potential equalization is via the measuring pipe.
- The medium is set to ground potential.

Starting conditions:

- Pipes are correctly grounded on both sides.
- Pipes are conductive and at the same electrical potential as the medium
- ▶ Connect the connection housing of the transmitter or sensor to ground potential by means of the ground terminal provided for this purpose.



### Plastic pipe or pipe with insulating liner

- Potential matching is via the ground terminal and flanges.
- The medium is set to ground potential.

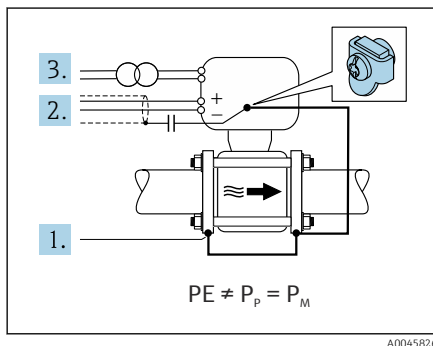
Starting conditions:

- The pipe has an insulating effect.
- Low-impedance medium grounding close to the sensor is not guaranteed.
- Equalizing currents through the medium cannot be ruled out.

1. Connect the flanges via the ground cable to the ground terminal of the connection housing of the transmitter or sensor.
2. Connect the connection to ground potential.

### Connection example with the potential of medium not equal to protective earth

In these cases, the medium potential can differ from the potential of the device.



### Metal, ungrounded pipe

The sensor and transmitter are installed in a way that provides electrical insulation from PE, e.g. applications for electrolytic processes or systems with cathodic protection.

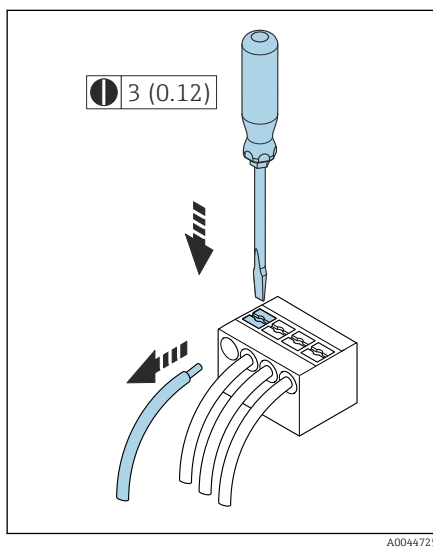
Starting conditions:

- Unlined metal pipe
- Pipes with an electrically conductive liner

1. Connect the pipe flanges and transmitter via the ground cable.
2. Route the shielding of the signal lines via a capacitor (recommended value 1.5µF/50V).
3. Device connected to power supply such that it is floating in relation to the protective earth (isolation transformer). This measure is not required in the case of 24V DC supply voltage without PE (= SELV power unit).

### Removing a cable

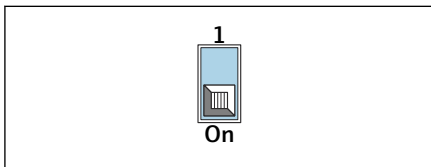
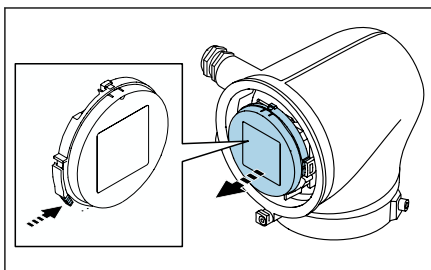
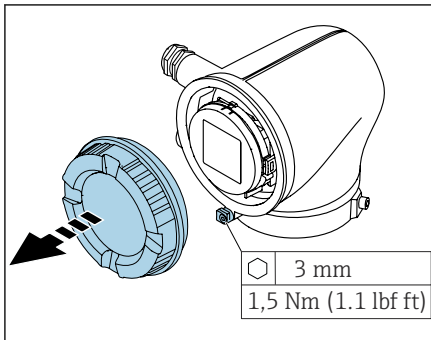
1. Use a flat-blade screwdriver to press down on the slot between the two terminal holes and hold.
2. Remove the cable end from the terminal.



8 Engineering unit mm (in)

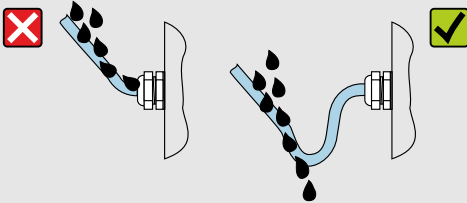
## Hardware settings

### Enabling write protection



1. Loosen the Allen key of the securing clamp.
2. Unscrew the housing cover in the counterclockwise direction.
3. Press the tab of the display module holder.
4. Remove the display module from the display module holder.
5. Set the write protection switch on the back of the display module to the **On** position.
  - ↳ Write protection is enabled.
6. Follow the sequence in the reverse order to reassemble.

## Post-connection check

Only for remote version: Is the serial number on the nameplates of the connected sensor and transmitter identical?	<input type="checkbox"/>
Is the potential equalization established correctly?	<input type="checkbox"/>
Is the protective earthing established correctly?	<input type="checkbox"/>
Are the device and cable undamaged (visual check)?	<input type="checkbox"/>
Do the cables meet the requirements?	<input type="checkbox"/>
Is the terminal assignment correct?	<input type="checkbox"/>
Are all the cable glands installed, firmly tightened and leak-tight?	<input type="checkbox"/>
Are dummy plugs inserted in unused cable entries?	<input type="checkbox"/>
Are transportation plugs replaced by dummy plugs?	<input type="checkbox"/>
Are the housing screws and housing cover tightened?	<input type="checkbox"/>
Do the cables loop down before the cable gland ("water trap")? 	<input type="checkbox"/>
Does the supply voltage match the specifications on the transmitter nameplate?	<input type="checkbox"/>

A0042316

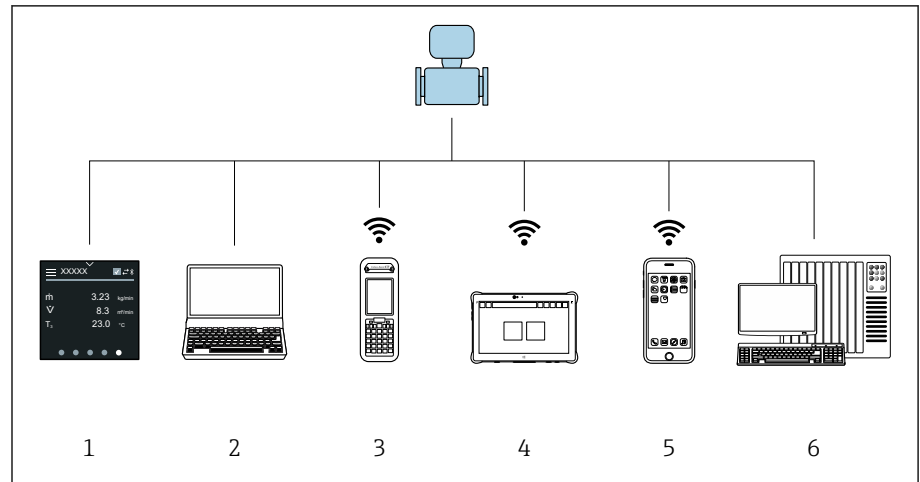


## 6 Operation

---

Overview of the operating options	50
Local operation	50
SmartBlue App	55

## Overview of the operating options



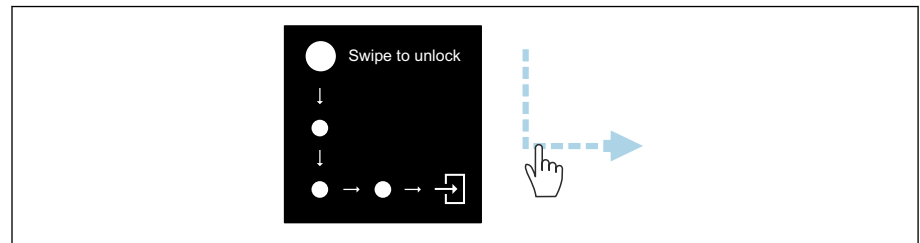
A0044206

- 1 Local operation via touch screen
- 2 Computer with operating tool, e.g. FieldCare, DeviceCare, AMS Device Manager, SIMATIC PDM
- 3 Field Xpert SFX350 or SFX370 via Bluetooth, e.g. SmartBlue App
- 4 Field Xpert SMT70 via Bluetooth, e.g. SmartBlue App
- 5 Tablet or smartphone via Bluetooth, e.g. SmartBlue App
- 6 Automation system, e.g. PLC

## Local operation

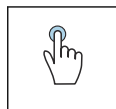
### Unlocking local operation

Local operation must first be unlocked before the device can be operated via the touch screen. To unlock, draw the pattern "L" on the touch screen.



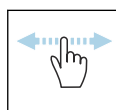
A0044415

## Navigation



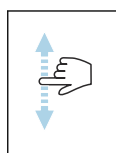
### Tap

- Open menus.
- Select items in a list.
- Acknowledge buttons.
- Enter characters.



### Swipe horizontally

Display next or previous page.



### Swipe vertically

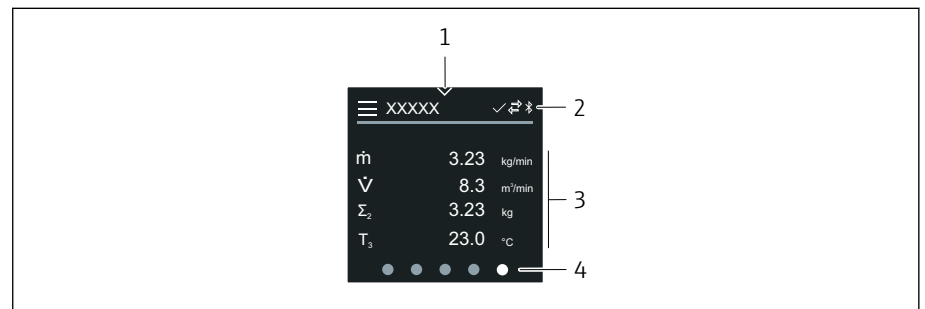
Display additional points in a list.

## Operational display

During routine operation, the local display shows the operational display screen. The operational display consists of several windows which the user can toggle between.

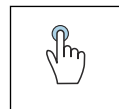
**i** The operational display can be customized: see the description of parameters → *Main menu*, 52.

## Operational display and navigation



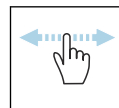
A0042992

- 1 Quick access
- 2 Status symbols, communication symbols and diagnostic symbols
- 3 Measured values
- 4 Rotating page display



### Tap

- Open the main menu.
- Open quick access.



### Swipe horizontally

Display next or previous page.

## Symbols

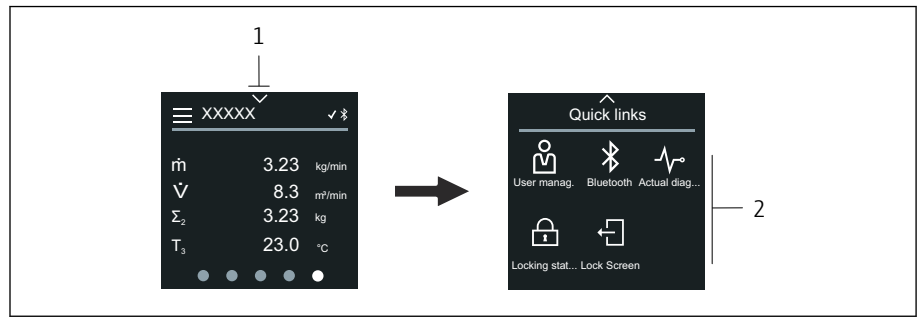
- ☰ Open the main menu.
- ∨ Quick access
- 🔒 Locking status
- 📶 Bluetooth is active.
- ↔ Device communication is enabled.
- ∇ Status signal: function check
- ⬢ Status signal: maintenance required
- ⚠ Status signal: out of specification
- ⊗ Status signal: failure
- ☑ Status signal: diagnostics active.

## Quick access

The Quick access menu contains a selection of specific device functions.

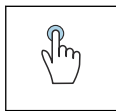
**i** Quick access is indicated by a triangle at the top of the local display in the middle.

### Quick access and navigation



A0044208

- 1 Quick access
- 2 Quick access with specific device functions



#### Tap

- Back to operational display.
- Open specific device functions.

#### Symbols

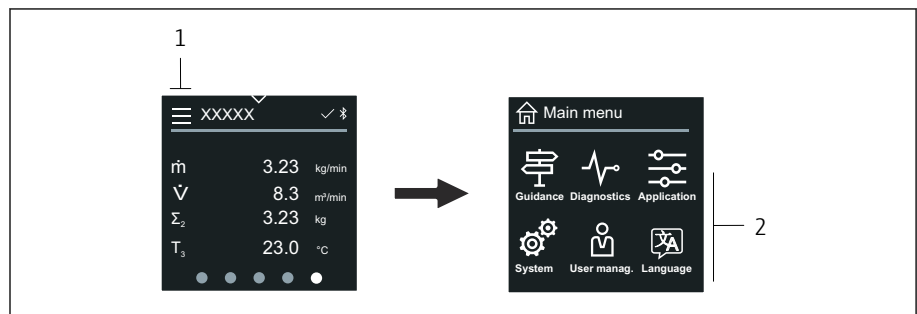
When a symbol is tapped, the local display shows the menu with the corresponding specific device functions.

- ⌘ Enable or disable Bluetooth.
- 🔑 Enter access code.
- 🔒 Write protection is enabled.
- ✕ Back to operational display.

### Main menu

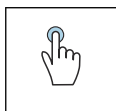
The main menu contains all the menus required for the commissioning, configuration and operation of the device.

#### Main menu and navigation



A0044213



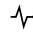
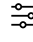


- 1 Open the main menu.
- 2 Open menus for the specific device functions.



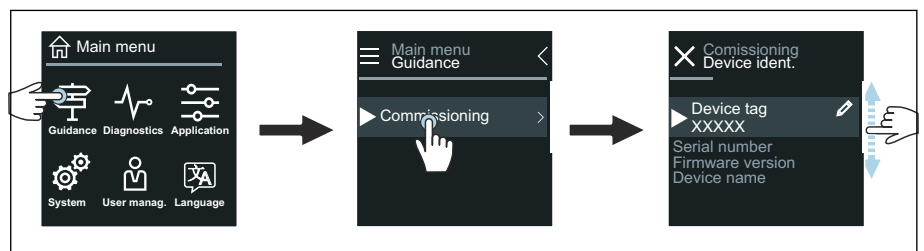
#### Tap

- Back to operational display.
- Open menus.

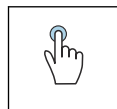
### Symbols

-  Back to operational display.
-  **Guidance** menu  
Configuration of the device
-  **Diagnostics** menu  
Troubleshooting and control of device behavior
-  **Application** menu  
Application-specific adjustments
-  **System** menu  
Device management and user administration
-  Set display language.

### Submenus and navigation

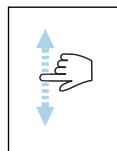


A0044219



#### Tap




- Open the main menu.
- Open submenus or parameters.
- Select options.
- Skip items in list.



#### Swipe vertically

Select items in a list on a step-by-step basis.


### Symbols

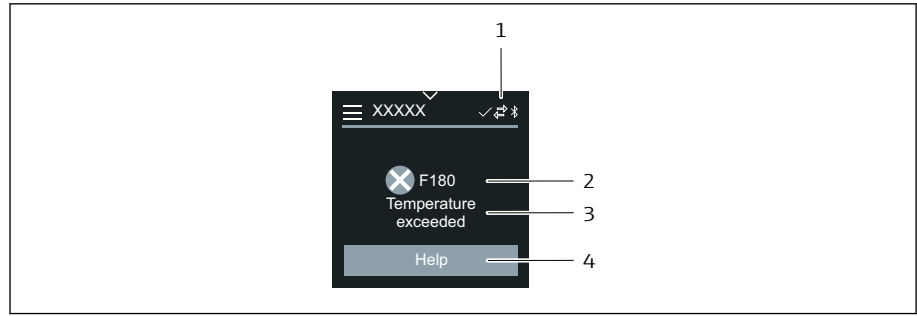
-  Return to previous menu.
-  Skip to bottom of list.
-  Skip to top of list.

### Diagnostic information

Diagnostic information displays additional instructions or background information for diagnostic events.

#### Opening the diagnostic message

-  The diagnostic behavior is indicated on the top right of the local display by a diagnostics symbol. Tap the symbol or the "Help" button to open the diagnostic message.



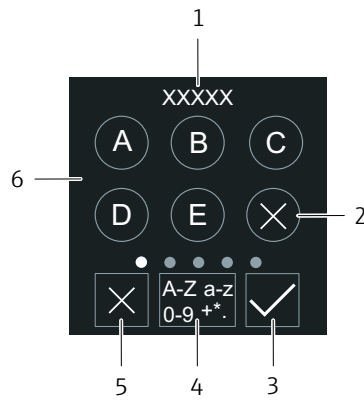
A0043008

- 1 Device status
- 2 Diagnostic behavior with diagnostic code
- 3 Short text
- 4 Open the troubleshooting measures.

## Editing view

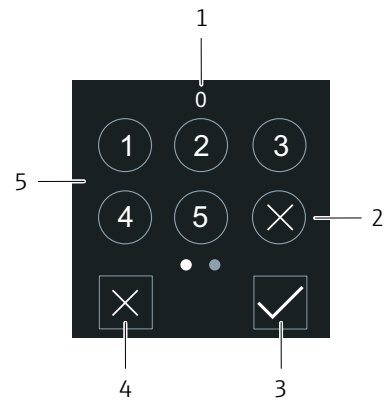
### Editor and navigation

The text editor is used to enter characters.



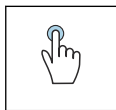
A0043020

- 1 Entry display area
- 2 Delete character.
- 3 Confirm your entry.
- 4 Switch input field.
- 5 Cancel editor.
- 6 Input field



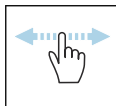
A0043023

- 1 Entry display area
- 2 Delete character.
- 3 Confirm your entry.
- 4 Cancel editor.
- 5 Input field



#### Tap

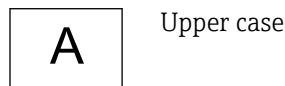
- Enter characters.
- Select next character set.



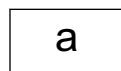
#### Swipe horizontally

Display next or previous page.

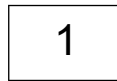
#### Input field



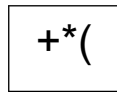
Upper case



Lower case



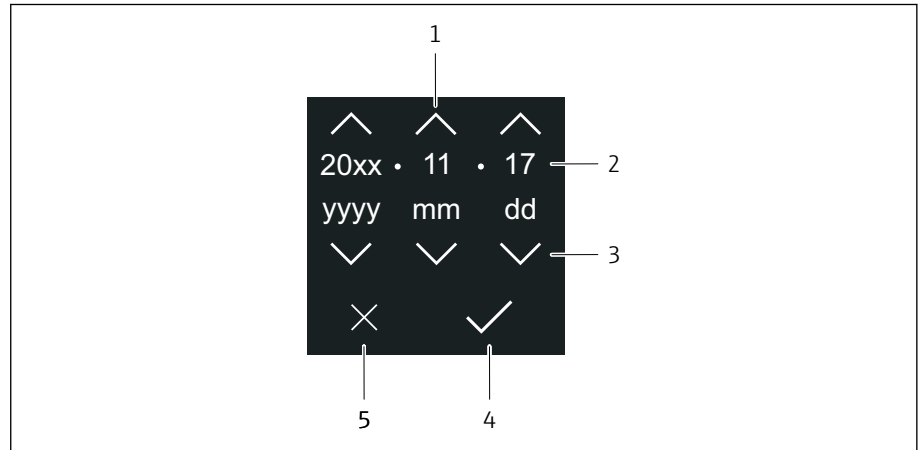
Numbers



Special characters

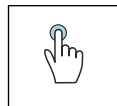
## Date

The device has a real-time clock for all log functions. The time can be configured here.



A0043043

- 1 Increase date by 1.
- 2 Actual value
- 3 Decrease date by 1.
- 4 Confirm settings.
- 5 Cancel editor.






## Tap

- Make settings.
- Confirm settings.
- Cancel editor.

## SmartBlue App

The device has a Bluetooth interface and can be operated and configured using the SmartBlue App. The SmartBlue App must be downloaded onto a terminal device for this purpose. Any terminal device can be used.

- The range is 20 m (65.6 ft) under reference conditions.
- Incorrect operation by unauthorized persons is prevented by means of encrypted communication and password encryption.
- Bluetooth can be disabled.

Download	<p>Endress+Hauser SmartBlue App:</p> <ul style="list-style-type: none"><li>▪ Google Playstore (Android)</li><li>▪ iTunes Apple Shop (iOS devices)</li></ul> <div data-bbox="906 353 1284 492"></div>
Supported functions	<ul style="list-style-type: none"><li>▪ Configuration of the device</li><li>▪ Access to measured values, device status and diagnostic information</li></ul>





## 7 System integration

---

Device description files	58
Measured variables via HART protocol	58

## Device description files

### Version data

Firmware version	01.00.zz	<ul style="list-style-type: none"> <li>On the title page of the Operating instructions</li> <li>On the transmitter nameplate → <i>Transmitter nameplate</i>,  17</li> <li>System → Information → Device → Firmware version</li> </ul>
Release date of firmware version	04.2021	-
Manufacturer ID	0x11	Application → Communication → Information → Manufacturer ID
Device type ID	0x71	Application → Communication → Information → Device ID
HART protocol revision	7	Application → Communication → Information → HART revision
Device revision	1	<ul style="list-style-type: none"> <li>On the transmitter nameplate → <i>Transmitter nameplate</i>,  17</li> <li>Diagnostics → Device information → Device revision</li> </ul>

### Operating tools

The suitable device description file for the individual operating tools is listed in the table below, along with information on where the file can be obtained.

Operating tool via HART protocol	Sources for obtaining device descriptions
FieldCare	<ul style="list-style-type: none"> <li><a href="http://www.endress.com">www.endress.com</a> → Downloads</li> <li>CD-ROM (contact Endress+Hauser)</li> <li>DVD (contact Endress+Hauser)</li> </ul>
DeviceCare	<ul style="list-style-type: none"> <li><a href="http://www.endress.com">www.endress.com</a> → Downloads</li> <li>CD-ROM (contact Endress+Hauser)</li> <li>DVD (contact Endress+Hauser)</li> </ul>
<ul style="list-style-type: none"> <li>Field Xpert SFX350</li> <li>Field Xpert SFX370</li> </ul>	Update function via handheld terminal
AMS Device Manager (Emerson Process Management)	<a href="http://www.endress.com">www.endress.com</a> → Downloads
SIMATIC PDM (Siemens)	<a href="http://www.endress.com">www.endress.com</a> → Downloads
Field Communicator 475 (Emerson Process Management)	Update function via handheld terminal

### Measured variables via HART protocol

 Technical data → *Protocol-specific data*,  92

### Dynamic variables

The following measured variables (HART device variables) are assigned to the dynamic variables at the factory:

Primary dynamic variable (PV)	Volume flow
Secondary dynamic variable (SV)	Totalizer 1
Tertiary dynamic variable (TV)	Totalizer 2
Quaternary dynamic variable (QV)	Totalizer 3

The assignment can be configured in the **Output** submenu.

### Navigation

Application → Communication → Output

- Assign PV
- Assign SV
- Assign TV
- Assign QV



Assignment and available measured variables: Description of Device  
Parameters → 6

### Device variables

The device variables are permanently assigned. A maximum of 8 device variables can be transmitted.

- |   |                        |
|---|------------------------|
| 0 | Volume flow            |
| 1 | Mass flow              |
| 2 | Conductivity           |
| 5 | Flow velocity          |
| 6 | Electronic temperature |
| 7 | Totalizer 1            |
| 8 | Totalizer 2            |
| 9 | Totalizer 3            |





## 8 Commissioning

---

Post-installation check and post-connection check	62
IT security	62
Device-specific IT security	62
Switching on the device	63
Commissioning the device	64

## Post-installation check and post-connection check

Before commissioning the device, make sure that the post-installation and post-connection checks have been performed:

- Post-installation check → *Post-installation check*,  35
- Post-connection check → *Post-connection check*,  48

## IT security

We only provide a warranty if the device is installed and used as described in the Operating Instructions. The device is equipped with security mechanisms to protect it against any inadvertent changes to the device settings.

IT security measures in line with operators' security standards and designed to provide additional protection for the device and device data transfer must be implemented by the operators themselves.

## Device-specific IT security

### Access via Bluetooth

Secure signal transmission via Bluetooth uses an encryption method tested by the Fraunhofer Institute.

- Without the SmartBlue App, the device is not visible via Bluetooth.
- Only one point-to-point connection is established between the device and a smartphone or tablet.

### Access via the SmartBlue App

Two access levels (user roles) are defined for the device: the **Operator** user role and the **Maintenance** user role. The **Maintenance** user role is configured when the device leaves the factory.

If a user-specific access code is not defined (in the Enter access code parameter), the default setting **0000** continues to apply and the **Maintenance** user role is automatically enabled. The device's configuration data are not write-protected and can be edited at all times.

If a user-specific access code has been defined (in the Enter access code parameter), all the parameters are write-protected. The device is accessed with the **Operator** user role. When the user-specific access code is entered a second time, the **Maintenance** user role is enabled. All parameters can be written to.



For detailed information, see the "Description of Device Parameters" document pertaining to the device.

### Protecting access via a password

There are a variety of ways to protect against write access to the device parameters:

- User-specific access code:  
Protect write access to the device parameters via all the interfaces.
- Bluetooth key:  
The password protects access and the connection between an operating unit, e.g. a smartphone or tablet, and the device via the Bluetooth interface.

### General notes on the use of passwords


- The access code and Bluetooth key supplied with the device must be defined during commissioning.
- Follow the general rules for generating a secure password when defining and managing the access code and Bluetooth key.
- The user is responsible for the management and careful handling of the access code and Bluetooth key.



### Write protection switch

The entire operating menu can be locked via the write protection switch. The values of the parameters cannot be changed. Write protection is disabled when the device leaves the factory.

Access authorization with write protection:

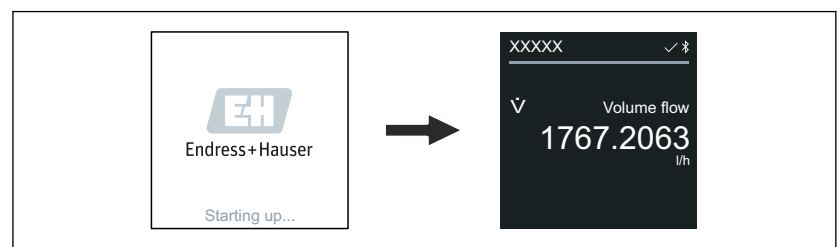
- Disabled: write access to the parameters
- Enabled: read-only access to the parameters

Write protection is enabled with the write protection switch on the back of the display module → *Hardware settings*,  47.



 The local display indicates that write protection is activated on the top right of the screen: .

### Switching on the device

- ▶ Switch on the supply voltage for the device.
  - ↳ The local display switches from the start screen to the operational display.



A0042938

 If device startup is not successful, the device displays an error message to this effect → *Diagnostics and troubleshooting*,  70.

## Commissioning the device

### Local operation

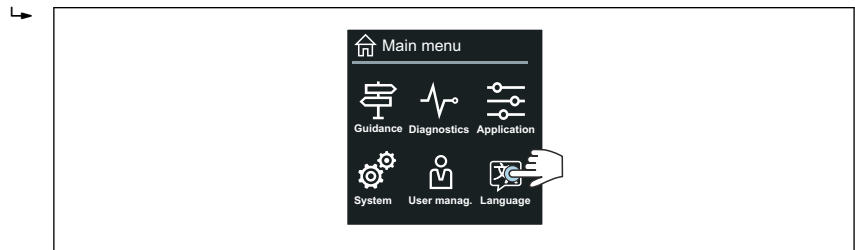
 Detailed information on local operation: → *Operation*,  50

1. Via the "Menu" symbol, open the main menu.



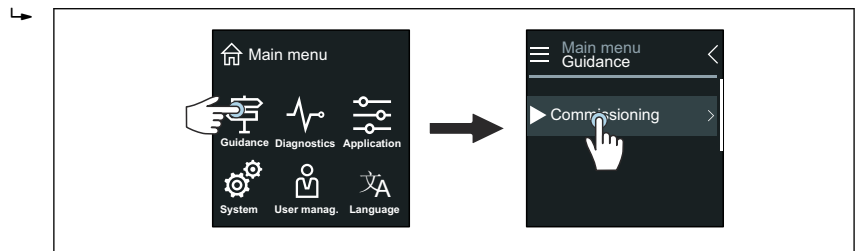
A0042939

2. Via the "Language" symbol, select the desired language.



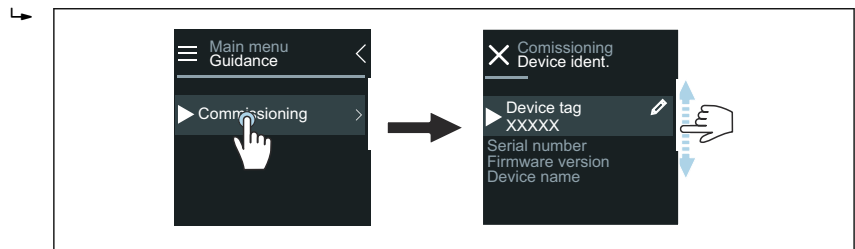
A0042940

3. Via the "Guidance" symbol, open the **Commissioning** wizard.



A0042941

4. Start the **Commissioning** wizard.



A0043018

5. Follow the instructions on the local display.
  - ↳ The **Commissioning** wizard goes through all the device parameters that are necessary to commission the device.

 For detailed information, see the "Description of Device Parameters" document pertaining to the device.

### SmartBlue App

 Information on the SmartBlue App → *SmartBlue App*,  55.



**Connecting the SmartBlue App to the device**

1. Enable Bluetooth on the mobile handheld terminal, tablet or smartphone.
2. Start the SmartBlue App.
  - ↳ A Live List shows all the devices available.
3. Select the desired device.
  - ↳ The SmartBlue App shows the device login.
4. Under user name, enter **admin**.
5. Under password, enter the device's serial number. Serial number:  
→ *Transmitter nameplate*, ⓘ 17.
6. Confirm your entries.
  - ↳ The SmartBlue App connects to the device and displays the main menu.

**Opening the "Commissioning" wizard**

1. Via the **Guidance** menu, open the **Commissioning** wizard.
2. Follow the instructions on the local display.
  - ↳ The **Commissioning** wizard goes through all the device parameters that are necessary to commission the device.



## 9 Operation

---

Reading the device locking status	68
HistoROM data management	68

## Reading the device locking status

Indicates the write protection with the highest priority that is currently active.

### Navigation

"System" menu → Device management → Locking status

### Parameter overview with brief description

Parameter	Description	User interface
Locking status	Indicates the write protection with the highest priority that is currently active.	<ul style="list-style-type: none"> <li>▪ Hardware locked</li> <li>▪ Temporarily locked</li> </ul>

## HistoROM data management

The device features HistoROM data management. Device data and process data can be saved, imported and exported with the HistoROM data management function, making operation and servicing far more reliable, secure and efficient.

### Data backup

#### Automatic

The most important device data, e.g. the transmitter and sensor, are automatically saved in the S+T-DAT.

When the sensor is replaced, the customer-specific sensor data is adopted in the device. The device goes into operation immediately without any problems.

#### Manuell

The transmitter data (customer settings) must be saved manually.

### Storage concept

	HistoROM backup	S+T-DAT
Available data	<ul style="list-style-type: none"> <li>▪ Event logbook, e.g. diagnostic events</li> <li>▪ Parameter data record backup</li> </ul>	<ul style="list-style-type: none"> <li>▪ Sensor data, e.g. nominal diameter</li> <li>▪ Serial number</li> <li>▪ Calibration data</li> <li>▪ Configuration of the device, e.g. software options</li> </ul>
Storage location	On the sensor electronics module (ISEM)	In the sensor connector in the sensor neck

### Data transfer

A parameter configuration can be transferred to another device using the export function of the operating tool. The parameter configuration can be duplicated or saved in an archive.

## 10 Diagnostics and troubleshooting

---

General troubleshooting	70
Diagnostic information via LED	71
Diagnostic information on local display	73
Diagnostic information in FieldCare or DeviceCare	74
Changing the diagnostic information	75
Overview of diagnostic information	76
Pending diagnostic events	79
Diagnostic list	80
Event logbook	80
Device reset	82

## General troubleshooting

### Local display

Error	Possible causes	Remedial action
Local display dark, no output signals	<p>Supply voltage does not match that specified on the nameplate.</p> <p>The polarity of the supply voltage is wrong.</p> <p>No contact between cables and terminals.</p> <p>Terminals are not plugged into the electronics module correctly.</p> <p>Electronics module is defective.</p>	<p>Apply the correct supply voltage.</p> <p>Correct the polarity.</p> <ul style="list-style-type: none"> <li>■ Check contact of cables.</li> <li>■ Connect the cables to the terminals again.</li> <li>■ Check the terminals.</li> <li>■ Plug the terminals into the electronics module again.</li> </ul> <p>Order the appropriate spare part.</p>
Local display is dark, but signal output is within the valid range.	<p>Incorrect contrast setting of local display.</p> <p>Cable connector for the local display is not correctly connected.</p> <p>Local display is defective.</p>	<p>Adjust the contrast of the local display to ambient conditions.</p> <p>Plug in the cable connector correctly.</p> <p>Order the appropriate spare part.</p>
Display alternates between error message and operational display	<p>Diagnostic event has occurred.</p>	<p>Carry out appropriate troubleshooting measures.</p>
Local display shows text in a foreign, incomprehensible language.	<p>A foreign language is set.</p>	<p>Set the language of the local display.</p>

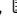



#### Only for remote version

Error	Possible causes	Remedial action
Local display displays an error, no output signals	<p>Cable connectors between the electronics module and local display are not plugged in correctly.</p> <p>Electrode cable and coil current cable are not plugged in correctly.</p>	<p>Plug in the cable connector correctly.</p> <p>Plug in the electrode cable and coil current cable correctly.</p>

### Output signal

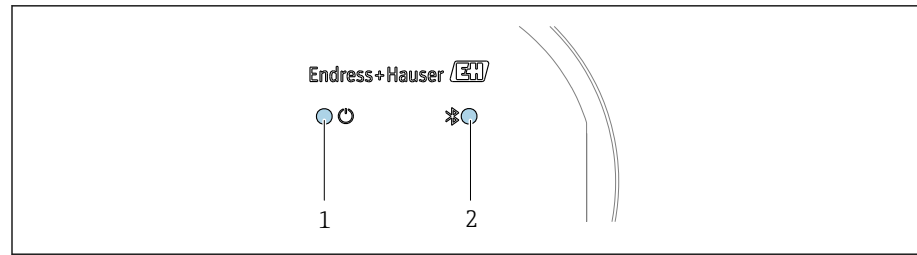
Error	Possible causes	Remedial action
Signal output is outside the valid current range (< 3.5 mA or > 23 mA).	<p>Electronics module is defective.</p>	<p>Order the appropriate spare part.</p>
Local display shows the correct value, but signal output is incorrect, though in the valid range.	<p>Configuration error</p>	<ul style="list-style-type: none"> <li>■ Check parameter configuration.</li> <li>■ Correct parameter configuration.</li> </ul>
Device measures incorrectly.	<ul style="list-style-type: none"> <li>■ Configuration error</li> <li>■ The device is being operated outside the application range.</li> </ul>	<ul style="list-style-type: none"> <li>■ Check parameter configuration.</li> <li>■ Correct parameter configuration.</li> <li>■ Observe limit values indicated.</li> </ul>
No signal at frequency output	<p>Device uses passive frequency output.</p>	<p>Wire the device correctly as described in the Operating Instructions .</p>

## Access and communication

Error	Possible causes	Remedial action
Not possible to write-access the parameter.	Write protection is enabled.	Set the write protection switch on the local display to the <b>Off</b> position.
	Current user role has limited access authorization.	<ol style="list-style-type: none"> <li>1. Check user role.</li> <li>2. Enter correct customer-specific access code.</li> </ol>
HART communication is not possible.	Load resistor missing or size is incorrect	<ul style="list-style-type: none"> <li>■ Load resistor must be at least 250 Ω.</li> <li>■ Observe the maximum load → <i>Output signal</i>,  89.</li> <li>■ → <i>Examples for electric terminals</i>,  142</li> </ul>
	<ul style="list-style-type: none"> <li>■ Commubox is connected incorrectly.</li> <li>■ Commubox is configured incorrectly.</li> <li>■ Commubox driver is not installed correctly.</li> <li>■ Wrong USB interface is configured on PC.</li> </ul>	Observe the documentation for the Commubox.   FXA195 HART: Document "Technical Information" TI00404F
Device communication is not possible.	Data transfer is active.	Wait until the data transfer or the current action is finished.
SmartBlue App does not show the device in the live list.	<ul style="list-style-type: none"> <li>■ Bluetooth is disabled on the device.</li> <li>■ Bluetooth is disabled on the smartphone or tablet.</li> </ul>	<ol style="list-style-type: none"> <li>1. Check whether the Bluetooth symbol appears on the local display.</li> <li>2. Enable Bluetooth on the device.</li> <li>3. Enable Bluetooth on the smartphone or tablet.</li> </ol>
Device cannot be operated with the SmartBlue App.	<ul style="list-style-type: none"> <li>■ Bluetooth connection is not available.</li> <li>■ The device is already connected to another smartphone or tablet.</li> <li>■ Incorrect password entered.</li> <li>■ Password forgotten.</li> </ul>	<ol style="list-style-type: none"> <li>1. Check whether other devices are connected to the SmartBlue App.</li> <li>2. Disconnect any other device connected to the SmartBlue App.</li> </ol> <ol style="list-style-type: none"> <li>1. Enter correct password.</li> <li>2. Contact Endress+Hauser service organization.</li> </ol>
Login with user data is not possible with the SmartBlue App.	Device in operation for the first time.	<ol style="list-style-type: none"> <li>1. Enter the initial password (serial number of the device).</li> <li>2. Change the initial password.</li> </ol>
No connection via service interface	<ul style="list-style-type: none"> <li>■ Commubox driver is not installed correctly.</li> <li>■ Wrong USB interface is configured on PC.</li> </ul>	Observe the documentation for the Commubox.   FXA291 HART: Document "Technical Information" TI00405C

## Diagnostic information via LED

Only for devices with the order code for "Display; operation", option H



A0044231

- 1 Device status  
2 Bluetooth

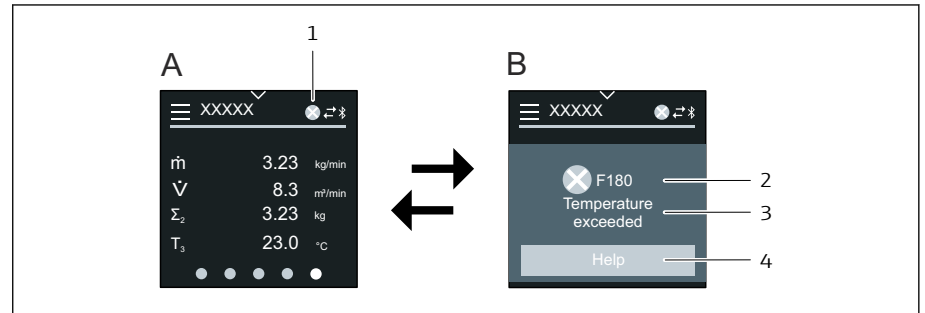
LED	Status	Meaning
1 Device status (normal operation)	Off	No power supply
	Permanently green	Device status is OK. No warning / failure / alarm
	Flashing red	Warning is active.
	Permanently red	Alarm is active.
2 Bluetooth	Off	Bluetooth is disabled.
	Permanently blue	Bluetooth is enabled.
	Flashing blue	Data transfer in progress.



## Diagnostic information on local display

### Diagnostic message

The local display alternates between displaying faults as a diagnostic message and displaying the operational display screen.



- A Operational display in alarm condition
- B Diagnostic message
- 1 Diagnostic behavior
- 2 Status signal
- 3 Diagnostic behavior with diagnostic code
- 4 Short text
- 5 Open information on remedial measures.

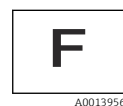
If two or more diagnostics events are pending simultaneously, the local display only shows the diagnostic message with the highest priority.

- i** Other diagnostic events that have occurred can be opened in the **Diagnostics** menu as follows:
  - Via parameters
  - Via submenus

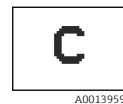
### Status signals

The status signals provide information on the state and reliability of the device by categorizing the cause of the diagnostic information (diagnostic event).

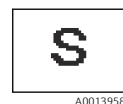
- i** The status signals are categorized according to NAMUR Recommendation NE 107: F = Failure, C = Function Check, S = Out of Specification, M = Maintenance Required, N = No Effect



- Failure**
- A device error has occurred.
  - Measured value is no longer valid.



- Function check**
- Device is in the service mode, e.g. during a simulation.



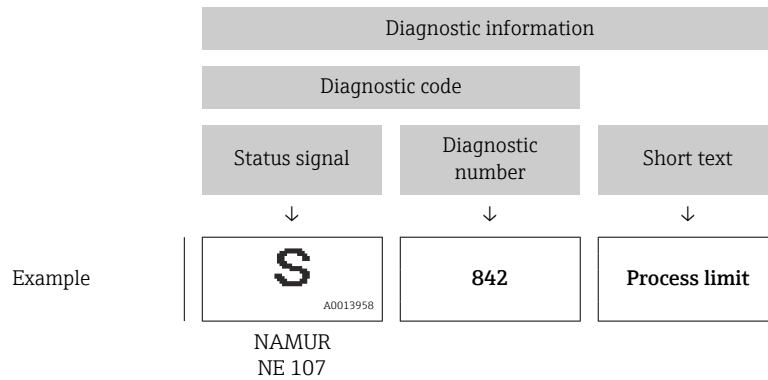
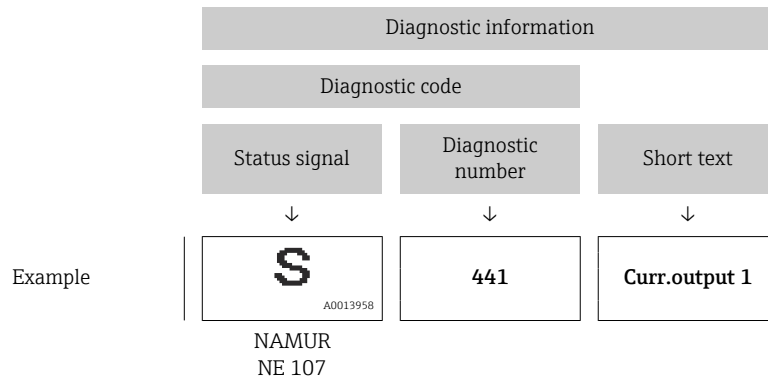
- Out of specification**
- Device is being operated outside the technical specification limits, e.g. outside the process temperature range.
  - Device is being operated outside the configuration carried out by the user, e.g. max. flow in the 20 mA value parameter.



- Maintenance required**
- Maintenance is required.
  - Measured value is still valid.

### Diagnostic information

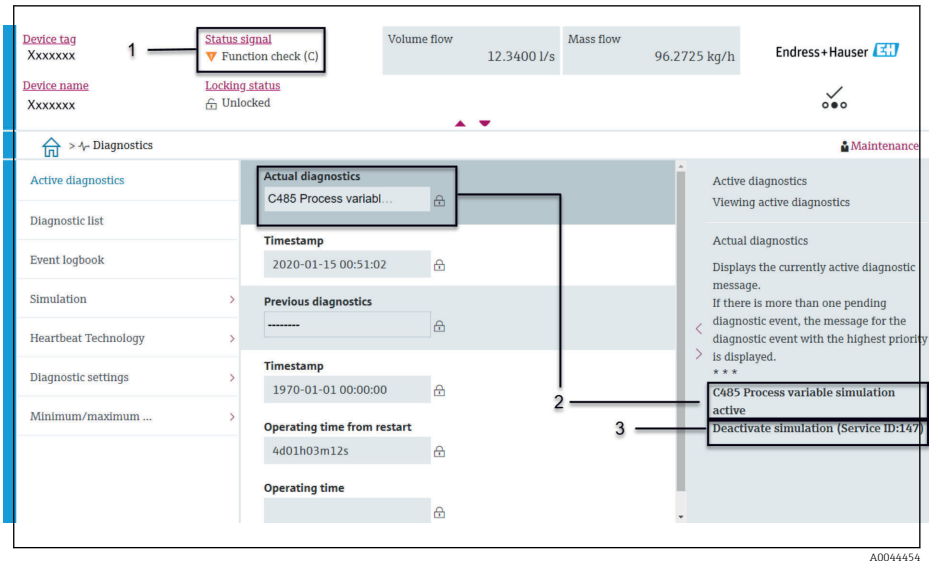
The fault can be identified using the diagnostic information. The short text displays a tip about the fault.



## Diagnostic information in FieldCare or DeviceCare

### Diagnostic options

After the connection has been established, the device shows faults on the home page.



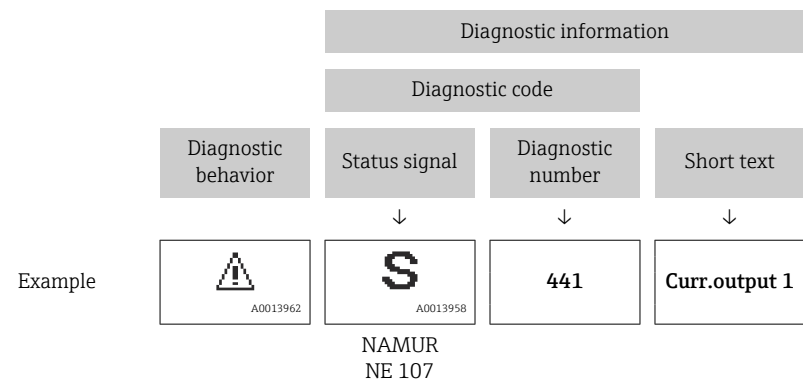
- 1 Status area with diagnostic behavior and status signal
- 2 Diagnostic code and short message
- 3 Troubleshooting measures with service ID

**i** Other diagnostic events that have occurred can be opened in the **Diagnostics** menu as follows:

- Via parameter
- Via submenus

### Diagnostic information

The fault can be identified using the diagnostic information. The short text displays a tip about the fault. The corresponding symbol for the diagnostic behavior appears at the start.



## Changing the diagnostic information

### Adapting the status signal

Each item of diagnostic information is assigned a specific status signal at the factory. The user can change the assignment for specific diagnostic information in the **"Diagnostic settings"** submenu.

#### Navigation path

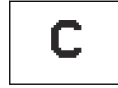
Diagnostics → Diagnostic settings

Configuration of the device as per HART 7 Specification (Condensed Status), in accordance with NAMUR NE107.



#### Failure

- A device error has occurred.
- Measured value is no longer valid.



#### Function check

Device is in the service mode, e.g. during a simulation.



#### Out of specification

- Device is being operated outside the technical specification limits, e.g. outside the process temperature range.
- Device is being operated outside the configuration carried out by the user, e.g. max. flow in the 20 mA value parameter.



#### Maintenance required

- Maintenance is required.
- Measured value is still valid.

## Adapting the diagnostic behavior

Each item of diagnostic information is assigned a specific diagnostic behavior at the factory. The user can change the assignment for specific diagnostic information in the **Diagnostic settings** submenu.


#### Navigation path

Diagnostics → Diagnostic settings

You can assign the following options to the diagnostic number as the diagnostic behavior:

Options	Description
Alarm	<ul style="list-style-type: none"> <li>▪ Device stops measurement.</li> <li>▪ Signal outputs and totalizers assume a defined alarm condition.</li> <li>▪ Diagnostic message is generated.</li> <li>▪ Background lighting changes to red.</li> </ul>
Warning	<ul style="list-style-type: none"> <li>▪ Device continues measuring.</li> <li>▪ Signal outputs and totalizers are not affected.</li> <li>▪ Diagnostic message is generated.</li> </ul>
Logbook entry only	<ul style="list-style-type: none"> <li>▪ Device continues measuring.</li> <li>▪ The local display shows the diagnostic message in the <b>Event logbook</b> submenu (<b>Event list</b> submenu) and does not alternate with the operational display.</li> </ul>
Off	<ul style="list-style-type: none"> <li>▪ Diagnostic event is ignored.</li> <li>▪ Diagnostic message is not generated and not entered.</li> </ul>

## Overview of diagnostic information

 The amount of diagnostic information and the number of measured variables affected increase if the device has one or more application packages.

Diagnostic number	Short text	Remedy instructions	Status signal [from the factory]	Diagnostic behavior [from the factory]
<b>Diagnostic of sensor</b>				
043	Sensor 1 short circuit detected	1. Check sensor cable and sensor 2. Execute Heartbeat Verification 3. Replace sensor cable or sensor	S	Warning <sup>1)</sup>
082	Data storage inconsistent	1. Check module connections 2. Contact service	F	Alarm
083	Memory content inconsistent	1. Restart device 2. Restore HistoROM S-DAT backup ('Device reset' parameter) 3. Replace HistoROM S-DAT	F	Alarm
168	Build-up detected	Clean measuring tube	M	Warning
169	Conductivity measurement failed	1. Check grounding conditions 2. Deactivate conductivity measurement	M	Warning
170	Coil resistance faulty	Check ambient and process temperature	F	Alarm
180	Temperature sensor defective	1. Check sensor connections 2. Replace sensor cable or sensor 3. Turn off temperature measurement	F	Warning
181	Sensor connection faulty	1. Check sensor cable and sensor 2. Execute Heartbeat Verification 3. Replace sensor cable or sensor	F	Alarm
<b>Diagnostic of electronic</b>				
201	Electronics faulty	1. Restart device 2. Contact service	F	Alarm
230	Date/time incorrect	1. Replace RTC buffer battery 2. Set date and time	M	Warning <sup>1)</sup>
231	Date/time not available	1. Replace display module or its cable 2. Set date and time	M	Warning <sup>1)</sup>
242	Firmware incompatible	1. Check firmware version 2. Flash or replace electronic module	F	Alarm
252	Module incompatible	1. Check electronic modules 2. Check if correct modules are available (e.g. NEx, Ex) 3. Replace electronic modules	F	Alarm
278	Display module defective	Replace display module	F	Alarm
283	Memory content inconsistent	1. Reset device 2. Contact service	F	Alarm
302	Device verification active	Device verification active, please wait.	C	Warning <sup>1)</sup>
311	Sensor electronics (ISEM) faulty	1. Do not reset device 2. Contact service	M	Warning

Diagnostic number	Short text	Remedy instructions	Status signal [from the factory]	Diagnostic behavior [from the factory]
331	Firmware update failed in module 1 to n	1. Update firmware of device 2. Restart device	F	Warning
372	Sensor electronics (ISEM) faulty	1. Restart device 2. Check if failure recurs 3. Replace sensor electronic module (ISEM)	F	Alarm
373	Sensor electronics (ISEM) faulty	Contact service	F	Alarm
376	Sensor electronics (ISEM) faulty	1. Replace sensor electronic module (ISEM) 2. Turn off diagnostic message	S	Warning <sup>1)</sup>
377	Sensor electronics (ISEM) faulty	1. Activate empty pipe detection 2. Check partial filled pipe and installation direction 3. Check sensor cabling 4. Deactivate diagnostics 377	S	Warning <sup>1)</sup>
378	Electronic module supply voltage faulty	Check supply voltage to the ISEM	F	Alarm
383	Memory content	1. Restart device 2. Delete T-DAT via 'Reset device' parameter 3. Replace T-DAT	F	Alarm
387	HistoROM data faulty	Contact service organization	F	Alarm
<b>Diagnostic of configuration</b>				
410	Data transfer failed	1. Check connection 2. Retry data transfer	F	Alarm
412	Processing download	Download active, please wait	C	Warning
431	Trim 1 required	Carry out trim	C	Warning
437	Configuration incompatible	1. Restart device 2. Contact service	F	Alarm
438	Dataset different	1. Check data set file 2. Check device configuration 3. Up- and download new configuration	M	Warning
441	Current output faulty	1. Check process 2. Check current output settings	S	Warning <sup>1)</sup>
442	Frequency output faulty	1. Check process 2. Check frequency output settings	S	Warning <sup>1)</sup>
443	Pulse output 1 faulty	1. Check process 2. Check pulse output settings	S	Warning <sup>1)</sup>
453	Flow override active	Deactivate flow override	C	Warning
484	Failure mode simulation active	Deactivate simulation	C	Alarm
485	Process variable simulation active	Deactivate simulation	C	Warning
491	Current output 1 simulation active	Deactivate simulation	C	Warning


Diagnostic number	Short text	Remedy instructions	Status signal [from the factory]	Diagnostic behavior [from the factory]
492	Frequency output simulation active	Deactivate simulation frequency output	C	Warning
493	Pulse output simulation active	Deactivate simulation pulse output	C	Warning
494	Switch output simulation active	Deactivate simulation switch output	C	Warning
495	Diagnostic event simulation active	Deactivate simulation	C	Warning
511	ISEM settings faulty	1. Check measuring period and integration time 2. Check sensor properties	C	Alarm
<b>Diagnostic of process</b>				
832	Sensor electronics temperature too high	Reduce ambient temperature	S	Warning <sup>1)</sup>
833	Sensor electronics temperature too low	Increase ambient temperature	S	Warning <sup>1)</sup>
834	Process temperature too high	Reduce process temperature	S	Warning <sup>1)</sup>
835	Process temperature too low	Increase process temperature	S	Warning <sup>1)</sup>
842	Process value above limit	1. Decrease process value 2. Check application 3. Check sensor	S	Warning <sup>1)</sup>
937	Sensor symmetry	1. Eliminate external magnetic field near sensor 2. Turn off diagnostic message	S	Warning <sup>1)</sup>
938	EMC interference	1. Check ambient conditions regarding EMC influence 2. Turn off diagnostic message	F	Alarm <sup>1)</sup>
944	Monitoring failed	Check process conditions for Heartbeat Monitoring	S	Warning
961	Electrode potential out of specification	1. Check process conditions 2. Check ambient conditions	S	Warning <sup>1)</sup>
962	Pipe empty	1. Perform full pipe adjustment 2. Perform empty pipe adjustment 3. Turn off empty pipe detection	S	Warning <sup>1)</sup>

1) Diagnostic behavior can be changed.

## Pending diagnostic events

The **Active diagnostics** submenu displays the current diagnostic event and the last diagnostic event to occur.

Diagnostics → Active diagnostics

 The **Diagnostic list** submenu shows other diagnostic events that are pending.

## Diagnostic list

The **Diagnostic list** submenu shows up to 5 currently pending diagnostic events with the related diagnostic information. If more than 5 diagnostic events are pending, the local display shows the diagnostic information with the highest priority.

### Navigation path

Diagnostics → Diagnostic list

## Event logbook

### Reading out the event logbook



The event logbook is only available via FieldCare or SmartBlue App (Bluetooth).

The **Event logbook** submenu shows a chronological overview of the event messages that have occurred.

### Navigation path

**Diagnostics** menu → **Event logbook** submenu

Chronological display with a maximum of 20 event messages.

The event history includes the following entries:

- Diagnostic event → *Overview of diagnostic information*, 76
- Information event → *Overview of information events*, 80

In addition to the operation time of the event occurrence, each event is also assigned a symbol that indicates whether the event has occurred or has ended:

- Diagnostic event
  - ☺: Occurrence of the event
  - ☹: End of the event
- Information event
  - ☺: Occurrence of the event



Filter event messages:

### Filtering the event logbook

The **Event logbook** submenu displays the category of event messages that were configured with the **Filter options** parameter.

### Navigation path

Diagnostics → Event logbook → Filter options

### Filter categories

- All
- Failure (F)
- Function check (C)
- Out of specification (S)
- Maintenance required (M)
- Information (I)

### Overview of information events

The information event is only displayed in the event logbook.




Info number	Info name
I1000	----- (Device ok)
I1079	Sensor changed
I1089	Power on
I1090	Configuration reset
I1091	Configuration changed
I11036	Date/time set successfully
I11167	Date/time resynchronized
I1137	Display module replaced
I1151	History reset
I1155	Sensor electronics temperature reset
I1157	Memory error event list
I1256	Display: access status changed
I1335	Firmware changed
I1351	Empty pipe detection adjustment failure
I1353	Empty pipe detection adjustment ok
I1397	Fieldbus: access status changed
I1398	CDI: access status changed
I1443	Build-up thickness not determined
I1444	Device verification passed
I1445	Device verification failed
I1459	I/O module verification failed
I1461	Sensor verification failed
I1462	Sensor electronic module verific. failed
I1512	Download started
I1513	Download finished
I1514	Upload started
I1515	Upload finished
I1622	Calibration changed
I1624	All totalizers reset
I1625	Write protection activated
I1626	Write protection deactivated
I1629	CDI: login successful
I1632	Display: login failed
I1633	CDI: login failed
I1634	Reset to factory settings
I1635	Reset to delivery settings
I1649	Hardware write protection activated
I1650	Hardware write protection deactivated
I1712	New flash file received
I1725	Sensor electronic module (ISEM) changed

## Device reset

The entire configuration, or a part of the configuration, can be reset to a defined state here.

### Navigation path

System → Device management → Device reset

Options	Description
To delivery settings	Every parameter for which a customer-specific default setting was ordered is reset to the customer-specific value. All other parameters are reset to the factory setting.
Of customer settings	Visibility depends on order options or device settings
Restart device	The restart resets every parameter with data stored in volatile memory (RAM) to the factory setting (e.g. measured value data). The device configuration remains unchanged.
Restore S-DAT backup	Restore the data that is saved on the S-DAT. The data record is restored from the electronics memory to the S-DAT. Visibility depends on order options or device settings  The local display only displays this option in an alarm condition.

# 11 Maintenance

---

Maintenance tasks	84
Services	84

## Maintenance tasks

The device is maintenance-free. Modifications or repairs may only be carried out following consultation with an Endress+Hauser service organization. It is recommended to examine the device regularly for corrosion, mechanical wear and damage.

### Exterior cleaning

Clean the device as follows:

- Use a dry or slightly damp lint-free cloth.
- Do not use sharp objects or aggressive cleaning agents.
- Do not use high-pressure steam.

### Interior cleaning

No interior cleaning is required.

## Services

Endress+Hauser offers a wide range of services for device maintenance, e.g. recalibration, maintenance service or device tests.

Endress+Hauser sales organizations can provide information about the services available.

# 12 Disposal

---

Removing the device	86
Disposing of the device	86

## Removing the device

1. Disconnect the device from the supply voltage.
2. Remove all connecting cables.

### **⚠ WARNING**

#### **Process conditions can put staff at risk!**

- ▶ Wear suitable protective equipment.
- ▶ Allow the device and pipe to cool.
- ▶ Empty the device and pipe so that they are unpressurized.
- ▶ Rinse the device and pipe if necessary.

3. Remove the device correctly.

## Disposing of the device

### **⚠ WARNING**

#### **Dangerous media can endanger staff and the environment!**

- ▶ Ensure that the device and all cavities are free of medium residues that are hazardous to health or the environment, e.g. substances that have permeated into crevices or diffused through plastic.



A0042336

If required by the Directive 2012/19/EU of the European Parliament and the Council of 4 July 2012 on waste electrical and electronic equipment (WEEE), the device is marked with the depicted symbol in order to minimize the disposal of WEEE as unsorted municipal waste.

- Do not dispose of devices bearing this marking as unsorted municipal waste. Instead, return them to Endress+Hauser for disposal under the applicable conditions.
- Observe applicable federal/national regulations.
- Ensure proper separation and reuse of the device components.
- Overview of installed materials: → *Materials*, 105

## 13 Technical data

---

Input	88
Output	89
Power supply	93
Cable specification	95
Performance characteristics	97
Environment	99
Process	101
Mechanical construction	103
Local display	108
Certificates and approvals	109
Application packages	110

## Input

### Measured variable

Direct measured variables	Volume flow (proportional to induced voltage)
Calculated measured variables	Mass flow

### Operable flow range

Over 1000 : 1

### Measuring range

Typically  $v = 0.01$  to  $10$  m/s ( $0.03$  to  $33$  ft/s) with the specified accuracy

Electrical conductivity:  $\geq 5$   $\mu\text{S/cm}$  for liquids in general

#### Flow characteristic values in SI units

Nominal diameter		Recommended flow min./max. full scale value ( $v \sim 0.3/10$ m/s)	Full scale value current output ( $v \sim 2.5$ m/s)	Factory settings	
[mm]	[in]			Pulse value ( $\sim 2$ pulse/s)	Low flow cut off ( $v \sim 0.04$ m/s)
		[dm <sup>3</sup> /min]	[dm <sup>3</sup> /min]	[dm <sup>3</sup> ]	[dm <sup>3</sup> /min]
25	1	9 to 300	75	0.5	1
40	1 ½	25 to 700	200	1.5	3
50	2	35 to 1100	300	2.5	5
65	–	60 to 2000	500	5	8
80	3	90 to 3000	750	5	12
100	4	145 to 4700	1200	10	20

#### Flow characteristic values in US units

Nominal diameter		Recommended flow min./max. full scale value ( $v \sim 0.3/10$ m/s)	Full scale value current output ( $v \sim 2.5$ m/s)	Factory settings	
[in]	[m1m]			Pulse value ( $\sim 2$ pulse/s)	Low flow cut off ( $v \sim 0.04$ m/s)
		[gal/min]	[gal/min]	[gal]	[gal/min]
1	25	2.5 to 80	18	0.2	0.25
1 ½	40	7 to 190	50	0.5	0.75
2	50	10 to 300	75	0.5	1.25
–	65	16 to 500	130	1	2
3	80	24 to 800	200	2	2.5
4	100	40 to 1250	300	2	4



## Output

### Output signal

#### Output versions

Order code for 020: output; input	Output version
Option B	<ul style="list-style-type: none"> <li>■ Current output 4 to 20 mA HART</li> <li>■ Pulse/frequency/switch output</li> </ul>

#### Current output 4 to 20 mA HART

<b>Signal mode</b>	Choose via terminal assignment: <ul style="list-style-type: none"> <li>■ Active</li> <li>■ Passive</li> </ul>
<b>Current range</b>	Can be set to: <ul style="list-style-type: none"> <li>■ 4 to 20 mA NAMUR</li> <li>■ 4 to 20 mA US</li> <li>■ 4 to 20 mA</li> <li>■ Fixed current</li> </ul>
<b>Max. output current</b>	21.5 mA
<b>Open-circuit voltage</b>	DC < 28.8 V (active)
<b>Max. input voltage</b>	DC 30 V (passive)
<b>Max. load</b>	400 Ω
<b>Resolution</b>	1 μA
<b>Damping</b>	Configurable: 0 to 999.9 s
<b>Assignable measured variables</b>	<ul style="list-style-type: none"> <li>■ Off</li> <li>■ Volume flow</li> <li>■ Mass flow</li> <li>■ Flow velocity</li> <li>■ Conductivity*</li> <li>■ Electronic temperature</li> <li>■ Noise*</li> <li>■ Coil current shot time*</li> <li>■ Reference electrode potential against PE*</li> </ul> <p>* Visibility depends on order options or device settings</p>

#### Pulse/frequency/switch output

<b>Function</b>	Can be set to: <ul style="list-style-type: none"> <li>■ Pulse output</li> <li>■ Frequency output</li> <li>■ Switch output</li> </ul>
<b>Version</b>	Open collector: Passive

<b>Input values</b>	<ul style="list-style-type: none"> <li>■ DC 10.4 to 30 V</li> <li>■ Max. 140 mA</li> </ul>
<b>Voltage drop</b>	<ul style="list-style-type: none"> <li>■ ≤ DC 2 V @ 100 mA</li> <li>■ ≤ DC 2.5 V @ max. input current</li> </ul>
<b>Pulse output</b>	
<b>Pulse width</b>	Configurable: 0.05 to 2 000 ms
<b>Max. pulse rate</b>	10 000 Impulse/s
<b>Pulse value</b>	Configurable
<b>Assignable measured variables</b>	<ul style="list-style-type: none"> <li>■ Volume flow</li> <li>■ Mass flow</li> </ul>
<b>Frequency output</b>	
<b>Output frequency</b>	Configurable: end value frequency 2 to 10 000 Hz ( $f_{\max} = 12\,500$ Hz)
<b>Damping</b>	Configurable: 0 to 999.9 s
<b>Pulse/pause ratio</b>	1:1
<b>Assignable measured variables</b>	<ul style="list-style-type: none"> <li>■ Off</li> <li>■ Volume flow</li> <li>■ Mass flow</li> <li>■ Flow velocity</li> <li>■ Conductivity*</li> <li>■ Electronic temperature</li> <li>■ Noise*</li> <li>■ Coil current shot time*</li> <li>■ Reference electrode potential against PE*</li> </ul> <p>* Visibility depends on order options or device settings</p>
<b>Switch output</b>	
<b>Switching behavior</b>	Binary, conductive or non-conductive
<b>Switching delay</b>	Configurable: 0 to 100 s

<b>Number of switching cycles</b>	Unlimited
<b>Assignable functions</b>	<ul style="list-style-type: none"><li>■ Off</li><li>■ On</li><li>■ Diagnostic behavior:<ul style="list-style-type: none"><li>■ Alarm</li><li>■ Warning</li><li>■ Warning and alarm</li></ul></li><li>■ Limit value:<ul style="list-style-type: none"><li>■ Off</li><li>■ Volume flow</li><li>■ Mass flow</li><li>■ Flow velocity</li><li>■ Conductivity*</li><li>■ Corrected conductivity*</li><li>■ Totalizer 1...3</li><li>■ Electronic temperature</li></ul></li><li>■ Flow direction monitoring</li><li>■ Status<ul style="list-style-type: none"><li>■ Empty pipe detection</li><li>■ Low flow cut off</li></ul></li></ul> <p>* Visibility depends on order options or device settings</p>

### Signal on alarm

Output behavior in the event of a device alarm (failure mode)

#### HART

Device diagnostics	Device condition can be read out via HART Command 48
--------------------	--

### Current output 4 to 20 mA

4 to 20 mA	Selectable: <ul style="list-style-type: none"> <li>▪ Min. value: 3.59 mA</li> <li>▪ Max. value: 21.5 mA</li> <li>▪ Freely definable value between: 3.59 to 21.5 mA</li> <li>▪ Actual value</li> <li>▪ Last valid value</li> </ul>
------------	---

### Pulse/frequency/switch output

Pulse output	Selectable: <ul style="list-style-type: none"> <li>▪ Actual value</li> <li>▪ No pulses</li> </ul>
Frequency output	Selectable: <ul style="list-style-type: none"> <li>▪ Actual value</li> <li>▪ 0 Hz</li> <li>▪ Defined value: 0 to 12 500 Hz</li> </ul>
Switch output	Selectable: <ul style="list-style-type: none"> <li>▪ Current status</li> <li>▪ Open</li> <li>▪ Closed</li> </ul>

### Low flow cut off

The switch points for low flow cut off are user-selectable.

### Galvanic isolation


The outputs are galvanically isolated from one another and from earth.

### Protocol-specific data

Bus structure	The HART signal overlays the 4 to 20 mA current output.
Manufacturer ID	0x11
Device type ID	0x71
HART protocol revision	7
Device description files (DTM, DD)	Information and files under: <a href="http://www.endress.com">www.endress.com</a>
HART load	At least 250 Ω
System integration	Measured variables via HART protocol

## Power supply

### Terminal assignment

 The terminal assignment is documented on an adhesive label.

The following terminal assignment is available:

*Current output 4 to 20 mA HART (active) and pulse/frequency/switch output*

Supply voltage		Output 1				Output 2	
1 (+)	2 (-)	26 (+)	27 (-)	24 (+)	25 (-)	22 (+)	23 (-)
L/+	N/-	Current output 4 to 20 mA HART (active)		-		Pulse/frequency/switch output (passive)	

*Current output 4 to 20 mA HART (passive) and pulse/frequency/switch output*

Supply voltage		Output 1				Output 2	
1 (+)	2 (-)	26 (+)	27 (-)	24 (+)	25 (-)	22 (+)	23 (-)
L/+	N/-	-		Current output 4 to 20 mA HART (passive)		Pulse/frequency/switch output (passive)	

### Supply voltage

Order code for "Power supply"	Terminal voltage		Frequency range
Option D	DC 24 V	-20 to +30 %	-
Option E	AC 100 to 240 V	-15 to +10 %	50/60 Hz, ±5 Hz
Option I	DC 24 V	-20 to +30 %	-
	AC 100 to 240 V	-15 to +10 %	50/60 Hz, ±5 Hz
Option M non-hazardous area	DC 24 V	-20 to +30 %	-
	AC 100 to 240 V	-15 to +10 %	50/60 Hz, ±5 Hz

### Power consumption

- Transmitter: max. 10 W (active power)
- Switch-on current: max. 36 A (< 5 ms) as per NAMUR Recommendation NE 21

### Current consumption

- Max. 400 mA (24 V)
- Max. 200 mA (110 V, 50/60 Hz; 230 V, 50/60 Hz)

### Power supply failure

- Totalizers stop at the last value measured.
- Device configuration remains unchanged.
- Error messages (incl. total operated hours) are stored.

### Terminals

Spring terminals

- Suitable for strands and strands with ferrules.
- Conductor cross-section 0.2 to 2.5 mm<sup>2</sup> (24 to 12 AWG).

### Cable entries

- Cable gland: M20 × 1.5 for cable Ø6 to 12 mm (0.24 to 0.47 in)
- Thread for cable entry:
  - NPT ½"
  - G ½", G ½" Ex d
  - M20

### Overvoltage protection

<b>Mains voltage fluctuations</b>	→ <i>Supply voltage</i> , 93
<b>Overvoltage category</b>	Overvoltage category II
<b>Short-term, temporary overvoltage</b>	Between cable and neutral conductor up to 1200 V for max. 5s
<b>Long-term, temporary overvoltage</b>	Between cable and ground up to 500 V

## Cable specification

### Requirements for connecting cable

#### Electrical safety

As per applicable national regulations.

#### Permitted temperature range

- Observe the installation guidelines that apply in the country of installation.
- The cables must be suitable for the minimum temperatures and maximum temperatures to be expected.

#### Power supply cable (incl. conductor for the inner ground terminal)

- A standard installation cable is sufficient.
- Provide grounding according to applicable national codes and regulations.

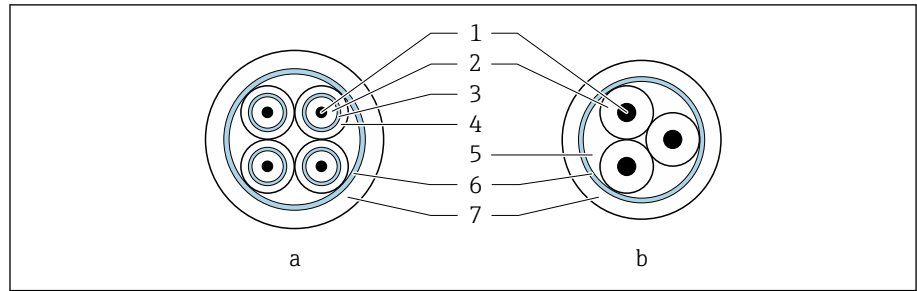
#### Signal cable

- Current output 4 to 20 mA HART:  
A shielded cable is recommended, observe the grounding concept of the facility.
- Pulse/frequency/switch output:  
Standard installation cable

#### Ground cable requirements

Copper wire: at least 6 mm<sup>2</sup> (0.0093 in<sup>2</sup>)

### Connecting cable requirements



A0029151

9 Cable cross-section

- a Electrode cable
- b Coil current cable
- 1 Core
- 2 Core insulation
- 3 Core shield
- 4 Core jacket
- 5 Core reinforcement
- 6 Cable shield
- 7 Outer jacket

#### **i** Armored connecting cable

Armored connecting cables with additional, metal reinforcing braid can be ordered from Endress+Hauser. Armored connecting cables are used:

- When laying the cable directly in the ground
- Where there is a risk of damage from rodents
- If using the device below IP68 degree of protection

#### Electrode cable

Design	3×0.38 mm <sup>2</sup> (20 AWG) with common, braided copper shield (∅ ~ 9.5 mm (0.37 in)) and individual shielded cores
Conductor resistance	≤ 50 Ω/km (0.015 Ω/ft)
Capacitance: core/shield	≤ 420 pF/m (128 pF/ft)
Cable length	Depending on the medium conductivity: maximum 200 m (656 ft)
Cable lengths (available for order)	5 m (15 ft), 10 m (30 ft), 20 m (60 ft) or variable length: maximum 200 m (656 ft) Armored cables: variable length up to maximum 200 m (656 ft)
Operating temperature	-20 to +80 °C (-4 to +176 °F)

#### Coil current cable

Design	3×0.38 mm <sup>2</sup> (20 AWG) with common, braided copper shield (∅ ~ 9.5 mm (0.37 in)) and individual shielded cores
Conductor resistance	≤ 37 Ω/km (0.011 Ω/ft)
Capacitance: core/shield	≤ 120 pF/m (37 pF/ft)
Cable length	Depends on the medium conductivity, max. 200 m (656 ft)
Cable lengths (available for order)	5 m (15 ft), 10 m (30 ft), 20 m (60 ft) or variable length up to max. 200 m (656 ft) Armored cables: variable length up to max. 200 m (656 ft)



<b>Operating temperature</b>	-20 to +80 °C (-4 to +176 °F)
<b>Test voltage for cable insulation</b>	≤ AC 1 433 V r.m.s. 50/60 Hz or ≥ DC 2 026 V

## Performance characteristics

### Reference operating conditions

- Error limits based on ISO 20456:2017
- Water, typically: +15 to +45 °C (+59 to +113 °F); 0.5 to 7 bar (73 to 101 psi)
- Data as indicated in the calibration protocol
- Accuracy based on accredited calibration rigs according to ISO 17025

**i** To obtain measured errors, use the *Applicator* sizing tool → *Service-specific accessory*, 137

### Maximum measured error

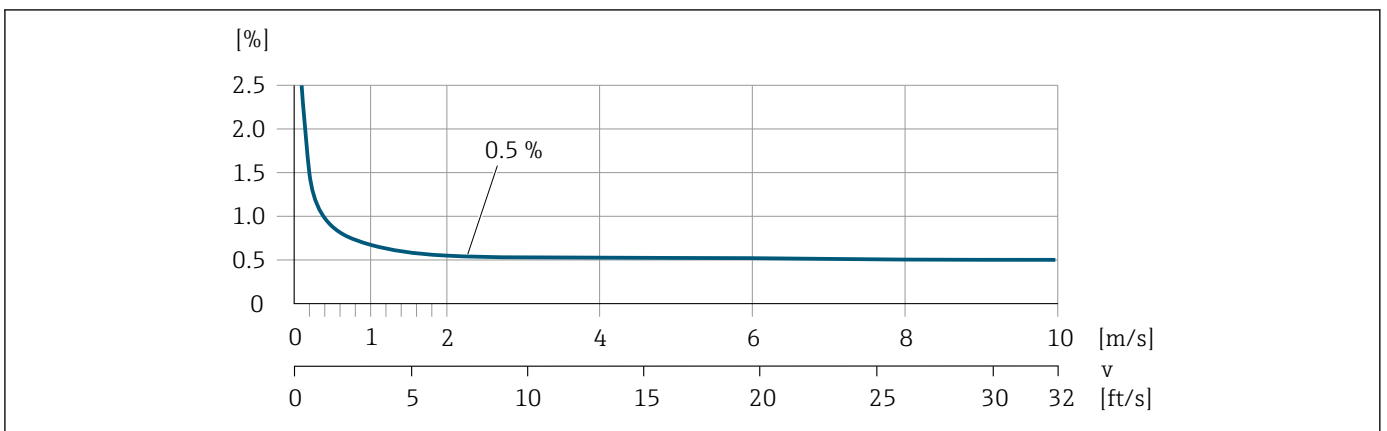
o. r. = of reading

### Error limits under reference operating conditions

#### Volume flow

±0.5 % o. r. ±1 mm/s (±0.04 in/s)

**i** Fluctuations in the supply voltage do not have any effect within the specified range.



A0032055

### Accuracy of outputs

<b>Current output</b>	±5 µA
<b>Pulse/frequency output</b>	Max. ±100 ppm o. r. (across the entire ambient temperature range)

### Repeatability

<b>Volume flow</b>	Max. ±0.1 % o. r. ± 0.5 mm/s (0.02 in/s)
--------------------	--



### Influence of ambient temperature

<b>Current output</b>	Temperature coefficient max. 1 $\mu\text{A}/^\circ\text{C}$
<b>Pulse/frequency output</b>	No additional effect. Is included in the accuracy.

## Environment

### Ambient temperature range

<b>Transmitter</b>	-40 to +60 °C (-40 to +140 °F)
<b>Local display</b>	-20 to +60 °C (-4 to +140 °F) The readability of the display may be impaired at temperatures outside the temperature range.
<b>Sensor</b>	-20 to +60 °C (-4 to +140 °F)
<b>Liner</b>	Do not exceed or fall below the permitted temperature range of the liner .

 Dependency of ambient temperature on medium temperature → *Medium temperature range*,  101

### Storage temperature

The storage temperature corresponds to the ambient temperature range of the transmitter and sensor.

### Humidity

Device is suitable for outdoor and indoor use, with a relative humidity

- of 80 % at temperatures up to +40 °C (+104 °F)
- decreasing linearly to 50 % at +60 °C (+140 °F)

### Operating height

up to 2 000 m (6 560 ft)

### Degree of protection

<b>Transmitter</b>	<ul style="list-style-type: none"> <li>▪ IP66/67, type 4X enclosure, suitable for pollution degree 4</li> <li>▪ Open housing: IP20, type 1 enclosure</li> <li>▪</li> </ul>
<b>Sensor</b>	IP66/67, type 4X enclosure, suitable for pollution degree 4

### Vibration-resistance and shock-resistance

#### Compact version

<b>Vibration, sinusoidal</b> <ul style="list-style-type: none"> <li>▪ Following IEC 60068-2-6</li> <li>▪ 20 cycles per axis</li> </ul>	2 to 8.4 Hz	3.5 mm peak
	8.4 to 2 000 Hz	1 g peak
<b>Vibration, broad-band random</b> <ul style="list-style-type: none"> <li>▪ Following IEC 60068-2-64</li> <li>▪ 120 min per axis</li> </ul>	10 to 200 Hz	0.003 g <sup>2</sup> /Hz
	200 to 2 000 Hz	0.001 g <sup>2</sup> /Hz (1.54 g rms)
<b>Shocks, half-sine</b> <ul style="list-style-type: none"> <li>▪ Following IEC 60068-2-27</li> <li>▪ 3 positive and 3 negative shocks</li> </ul>	6 ms 30 g	

#### Shock

Due to rough handling according to IEC 60068-2-31.

**Remote version (sensor)**

<b>Vibration, sinusoidal</b> <ul style="list-style-type: none"> <li>■ Following IEC 60068-2-6</li> <li>■ 20 cycles per axis</li> </ul>	2 to 8.4 Hz	7.5 mm peak
	8.4 to 2 000 Hz	1 g peak
<b>Vibration, broad-band random</b> <ul style="list-style-type: none"> <li>■ Following IEC 60068-2-6</li> <li>■ 120 min per axis</li> </ul>	10 to 200 Hz	0.01 g <sup>2</sup> /Hz
	200 to 2 000 Hz	0.003 g <sup>2</sup> /Hz (2.7 g rms)
<b>Shocks, half-sine</b> <ul style="list-style-type: none"> <li>■ Following IEC 60068-2-6</li> <li>■ 3 positive and 3 negative shocks</li> </ul>	6 ms 50 g	

**Shock**

Due to rough handling according to IEC 60068-2-31.

**Electromagnetic compatibility (EMC)**

As per IEC/EN 61326 and NAMUR Recommendation NE 21.



For more information: Declaration of Conformity

## Process

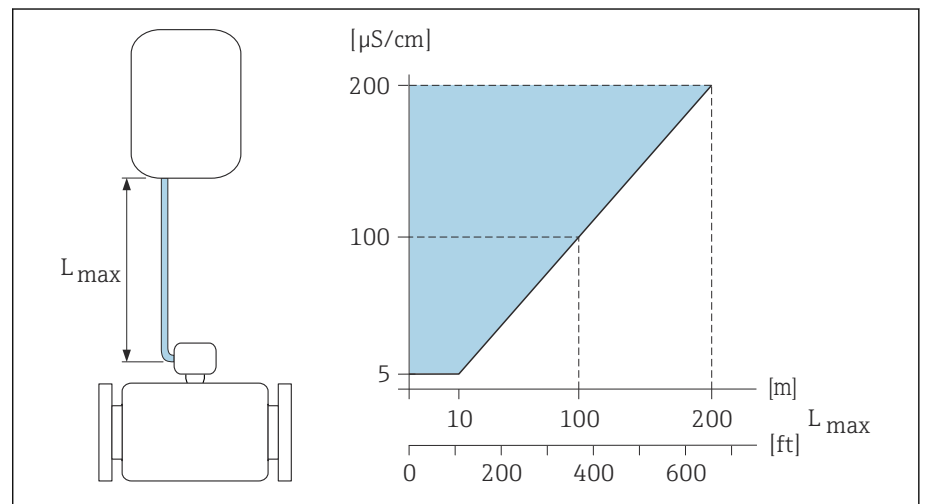
### Medium temperature range

0 to +60 °C (+32 to +140 °F)

### Conductivity

The necessary minimum conductivity is  $\geq 5 \mu\text{S/cm}$ .

**i** Note that in the case of the remote version, the minimum conductivity depends on the cable length.



**10** Permitted length of connecting cable

Colored area = permitted range  
 $L_{max}$  = length of connecting cable in [m] ([ft])  
 $[\mu\text{S/cm}]$  = medium conductivity

### Flow limit

Pipe diameter and flow rate determine the nominal diameter of the sensor.

**i** The flow velocity is increased by reducing the sensor nominal diameter.

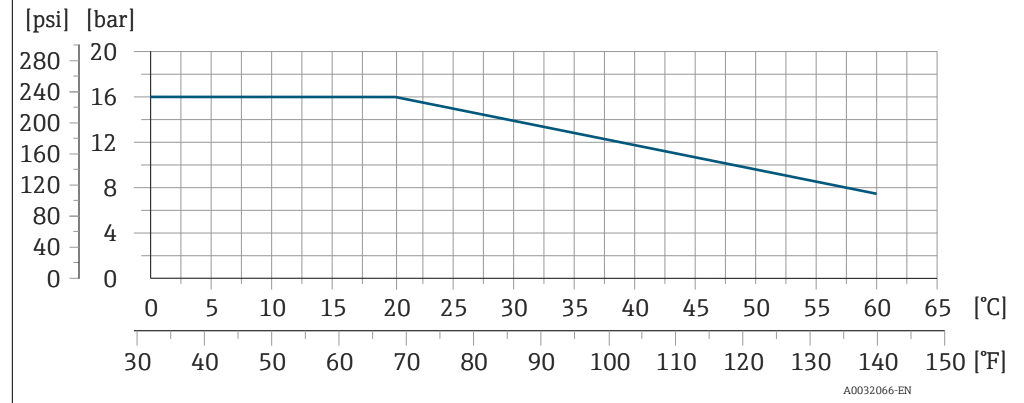
2 to 3 m/s (6.56 to 9.84 ft/s)	Optimum flow velocity
$v < 2 \text{ m/s}$ (6.56 ft/s)	For abrasive media, e.g. potter's clay, lime milk, ore slurry
$v > 2 \text{ m/s}$ (6.56 ft/s)	For media producing buildup, e.g. wastewater sludge

### Pressure-temperature ratings

Permitted process pressure

Fixed flange according to EN 1092-1  
 Fixed flange according to ASME B16.5  
 Fixed flange according to JIS B2220

Stainless steel



### Pressure tightness

Measuring tube: 0 mbar abs. (0 psi abs.) at a medium temperature of  $\leq +60\text{ }^{\circ}\text{C}$  ( $+140\text{ }^{\circ}\text{F}$ )

### Pressure loss

- No pressure loss: transmitter installed in a pipe with the same nominal diameter.
- Pressure loss information when adapters are used → *Adapters*, 29

## Mechanical construction

### Weight

All values refer to devices with flanges with a standard pressure rating. Weight data are guideline values. The weight may be lower than indicated depending on the pressure rating and design.

#### Transmitter remote version

Aluminum: 2.4 kg (5.3 lbs)

#### Sensor remote version

Aluminum sensor connection housing: see the information in the following table.

### Compact version

#### Weight in SI units

DN		Weight
[mm]	[in]	[kg]
25	1	3.20
40	1½	3.80
50	2	4.60
65	–	5.40
80	3	6.40
100	4	9.10

#### Weight in US units

DN		Weight
[mm]	[in]	[lbs]
25	1	7
40	1½	8
50	2	10
65	–	12
80	3	14
100	4	20

### Remote version

#### Weight in SI units

DN		Weight
[mm]	[in]	[kg]
25	1	2.5
40	1½	3.1
50	2	3.9
65	–	4.7
80	3	5.7
100	4	8.4

*Weight in US units*

DN		Weight
[mm]	[in]	[kg]
25	1	6
40	1½	7
50	2	9
65	–	10
80	3	13
100	4	19

**Measuring tube specification**

**Wafer version**

*Pressure rating EN (DIN), PN16*

DN		Mounting bolts			Centering sleeves Length		Measuring tube Internal diameter	
[mm]	[in]		[mm]	[in]	[mm]	[in]	[mm]	[in]
25	1	4 × M12 ×	145	5.71	54	2.13	24	0.94
40	1½	4 × M16 ×	170	6.69	68	2.68	38	1.50
50	2	4 × M16 ×	185	7.28	82	3.23	50	1.97
65 <sup>1)</sup>	–	4 × M16 ×	200	7.87	92	3.62	60	2.36
65 <sup>2)</sup>	–	8 × M16 ×	200	7.87	– <sup>3)</sup>	–	60	2.36
80	3	8 × M16 ×	225	8.86	116	4.57	76	2.99
100	4	8 × M16 ×	260	10.24	147	5.79	97	3.82

- 1) EN (DIN) flange: 4-hole → with centering sleeves
- 2) EN (DIN) flange: 8-hole → without centering sleeves
- 3) A centering sleeve is not required. The device is centered directly via the sensor housing.

*Pressure rating ASME, Class 150*

DN		Mounting bolts			Centering sleeves Length		Measuring tube Internal diameter	
[mm]	[in]		[mm]	[in]	[mm]	[in]	[mm]	[in]
25	1	4 × UNC ½" ×	145	5.70	– <sup>1)</sup>	–	24	0.94
40	1½	4 × UNC ½" ×	165	6.50	–	–	38	1.50
50	2	4 × UNC 5/8" ×	190.5	7.50	–	–	50	1.97
80	3	8 × UNC 5/8" ×	235	9.25	–	–	76	2.99
100	4	8 × UNC 5/8" ×	264	10.4	147	5.79	97	3.82

- 1) A centering sleeve is not required. The device is centered directly via the sensor housing.



*Pressure rating JIS, 10K*

DN		Mounting bolts			Centering sleeves		Measuring tube	
[mm]	[in]		[mm]	[in]	Length		Internal diameter	
					[mm]	[in]	[mm]	[in]
25	1	4 × M16 ×	170	6.69	54	2.13	24	0.94
40	1 ½	4 × M16 ×	170	6.69	68	2.68	38	1.50
50	2	4 × M16 ×	185	7.28	- <sup>1)</sup>	-	50	1.97
65	-	4 × M16 ×	200	7.87	-	-	60	2.36
80	3	8 × M16 ×	225	8.86	-	-	76	2.99
100	4	8 × M16 ×	260	10.24	-	-	97	3.82

1) A centering sleeve is not required. The device is centered directly via the sensor housing.

**Threaded connection***Pressure rating EN (DIN), PN16*

DN		Threaded connection	Wrench size		Measuring tube	
[mm]	[in]		Length		Internal diameter	
			[mm]	[in]	[mm]	[in]
25	1	G 1"	28	1.1	24	0.94
40	1 ½	G 1 ½"	50	1.97	38	1.50
50	2	G 2"	60	2.36	50	1.97

*Pressure rating ASME, Class 150*

DN		Threaded connection	Wrench size		Measuring tube	
[mm]	[in]		Length		Internal diameter	
			[mm]	[in]	[mm]	[in]
25	1	NPT 1"	28	1.1	24	0.94
40	1 ½	NPT 1 ½"	50	1.97	38	1.50
50	2	NPT 2"	60	2.36	50	1.97

**Materials****Transmitter housing**

Order code for "Housing"	Option A: aluminum, AlSi10Mg, coated
Window material	Glass

**Sensor connection housing**

Order code for "Sensor connection housing"	Option A: aluminum, AlSi10Mg, coated
--	--------------------------------------

<b>Cable glands and entries</b>	
Cable gland M20×1.5	Plastic
Adapter for cable entry with internal thread G ½" or NPT ½"	Nickel-plated brass
<b>Connecting cable for remote version</b>	
	Electrode and coil current cable: PVC cable with copper shield
<b>Sensor housing</b>	
	Aluminum, AlSi10Mg, coated
<b>Measuring tube</b>	
	Polyamide
<b>Liner</b>	
	Polyamide
<b>Electrodes</b>	
	Stainless steel: 1.4435 (316L)
<b>Seals</b>	
	As per DIN EN 1514-1, form IBC
<b>Process connections</b>	
EN 1092-1 (DIN 2501)	1.4301/304
ASME B16.5	1.4301/304
JIS B2220	1.4301/304
DIN ISO 228, G" external thread	1.4301/304
ASME B1.20, NPT" external thread	1.4301/304
<b>Accessories</b>	
Protective cover	Stainless steel, 1.4404 (316L)
Pipe mounting set	Stainless steel 1.4301 (304)
Wall mounting kit	Stainless steel 1.4301 (304)

### Mounting bolts

#### Tensile strength

- Galvanized steel mounting bolts: strength category 5.6 or 5.8
- Stainless steel mounting bolts: strength category A2-70

### Fitted electrodes

Standard electrodes:  
Measuring electrodes

### Process connections

- EN 1092-1 (DIN 2501)
- ASME B16.5
- JIS B2220
- DIN ISO 228, G external thread
- ASME B1.20, NPT external thread

## Local display

### Operating concept

Operation method	<ul style="list-style-type: none"> <li>▪ Operation via local display with touch screen.</li> <li>▪ Operation via SmartBlue App.</li> </ul>
Menu structure	<p>Operator-oriented menu structure for user-specific tasks:</p> <ul style="list-style-type: none"> <li>▪ Diagnostics</li> <li>▪ Application</li> <li>▪ System</li> <li>▪ Guidance</li> <li>▪ Language</li> </ul>
Commissioning	<ul style="list-style-type: none"> <li>▪ Commissioning via a guided menu (<b>Commissioning wizard</b>).</li> <li>▪ Menu guidance with interactive help function for individual parameters.</li> </ul>
Reliable operation	<ul style="list-style-type: none"> <li>▪ Operation in local language.</li> <li>▪ Uniform operating philosophy in device and in the SmartBlue App.</li> <li>▪ Write protection</li> <li>▪ When electronics modules are replaced: configurations are transferred using the T-DAT Backup device memory. The device memory contains process data, device data and the event logbook. No reconfiguration is necessary.</li> </ul>
Diagnostic behavior	<p>Efficient diagnostic behavior increases measurement availability:</p> <ul style="list-style-type: none"> <li>▪ Open troubleshooting measures via local display and SmartBlue App.</li> <li>▪ Diverse simulation options.</li> <li>▪ Logbook of events that have occurred.</li> </ul>

### Operating options

Local display	<p style="text-align: right; font-size: small;">A0042957</p> <p>Display elements:</p> <ul style="list-style-type: none"> <li>▪ LCD touch screen</li> <li>▪ Depends on the orientation, automatic alignment of local display.</li> <li>▪ Configuration of display format for measured variables and status variables.</li> </ul> <p>Operating elements:</p> <ul style="list-style-type: none"> <li>▪ Touch screen</li> <li>▪ Local display can also be accessed in the hazardous area.</li> </ul>
---------------	--

SmartBlue App	<ul style="list-style-type: none"> <li>▪ The SmartBlue App allows the user to put devices into operation and operate them.</li> <li>▪ Based on Bluetooth.</li> <li>▪ No separate driver required.</li> <li>▪ Available for mobile handheld terminals, tablets and smartphones.</li> <li>▪ Suitable for convenient and secure access to devices in hard-to-reach locations or in hazardous areas.</li> <li>▪ Can be used within a 20 m (65.6 ft) radius of the device.</li> <li>▪ Encrypted and secure data transmission.</li> <li>▪ No data loss during commissioning and maintenance.</li> <li>▪ Diagnostic information and process information in real time.</li> </ul>
---------------	---

## Operating tools

Operating tools	Operating unit	Interface	Additional information
DeviceCare SFE100	<ul style="list-style-type: none"> <li>▪ Notebook</li> <li>▪ PC</li> <li>▪ Tablet with Microsoft Windows system</li> </ul>	<ul style="list-style-type: none"> <li>▪ CDI service interface</li> <li>▪ Fieldbus protocol</li> </ul>	Innovation brochure IN01047S
FieldCare SFE500	<ul style="list-style-type: none"> <li>▪ Notebook</li> <li>▪ PC</li> <li>▪ Tablet with Microsoft Windows system</li> </ul>	<ul style="list-style-type: none"> <li>▪ CDI service interface</li> <li>▪ Fieldbus protocol</li> </ul>	Operating Instructions BA00027S and BA00059S
SmartBlue App	<ul style="list-style-type: none"> <li>▪ Devices with iOS: iOS9.0 or higher</li> <li>▪ Devices with Android: Android 4.4 KitKat or higher</li> </ul>	Bluetooth	Endress+HauserSmartBlue App: <ul style="list-style-type: none"> <li>▪ Google Playstore (Android)</li> <li>▪ iTunes Apple Shop (iOS devices)</li> </ul>
Device Xpert	Field Xpert SFX 100/350/370	HART fieldbus protocol	Operating Instructions BA01202S

## Certificates and approvals

### Non-Ex approval

- cCSAus
- EAC

### Pressure Equipment Directive

- CRN
- PED Cat. II/III

### Drinking water approval

- ACS
- KTW/W270
- NSF 61
- WRAS BS 6920

### HART certification

The device is certified and registered by the FieldComm Group. The measuring system meets all the requirements of the following specifications:

- Certified according to HART 7
- The device can also be operated with certified devices of other manufacturers (interoperability).

### Radio approval

The device has radio approvals.

## Other standards and guidelines

- IEC/EN 60529  
Degrees of protection provided by enclosures (IP code)
- IEC/EN 60068-2-6  
Environmental influences: Test procedure - Test Fc: vibrate (sinusoidal)
- IEC/EN 60068-2-31  
Environmental influences: Test procedure - Test Ec: shocks due to rough handling, primarily for devices.
- IEC/EN 61010-1  
Safety requirements for electrical equipment for measurement, control and laboratory use - general requirements.
- CAN/CSA-C22.2 No. 61010-1-12  
Safety Requirements for Electrical Equipment for Measurement, Control and Laboratory Use - Part 1 General Requirements.
- IEC/EN 61326  
Emission in accordance with Class A requirements. Electromagnetic compatibility (EMC requirements)
- ANSI/ISA-61010-1 (82.02.01)  
Safety Requirements for Electrical Equipment for Measurement, Control and Laboratory Use - Part 1 General Requirements.
- NAMUR NE 21  
Electromagnetic compatibility (EMC) of industrial process and laboratory control equipment.
- NAMUR NE 32  
Data retention in the event of a power failure in field and control instruments with microprocessors.
- NAMUR NE 43  
Standardization of the signal level for the breakdown information of digital transmitters with analog output signal.
- NAMUR NE 53  
Software of field devices and signal-processing devices with digital electronics.
- NAMUR NE 105  
Specifications for integrating fieldbus devices in engineering tools for field devices.
- NAMUR NE 107  
Self-monitoring and diagnosis of field devices.
- NAMUR NE 131  
Requirements for field devices for standard applications.
- ETSI EN 300 328  
Guidelines for 2.4 GHz radio components
- EN 301489  
Electromagnetic compatibility and radio spectrum matters (ERM).

## Application packages

### Use

Many different application packages are available to enhance the functionality of the device. Such packages might be needed to address safety aspects or specific application requirements.

The application packages can be ordered with the device or subsequently from Endress+Hauser. Detailed information on the relevant order code is available from your local Endress+Hauser sales organization or on the product page of the Endress+Hauser website: [www.endress.com](http://www.endress.com).

## Heartbeat Verification + Monitoring

### Heartbeat Verification

Availability depends on the product structure.

Meets the requirement for traceable verification to DIN ISO 9001:2008 Chapter 7.6 a) "Control of monitoring and measuring equipment":

- Functional testing in the installed state without interrupting the process.
- Traceable verification results on request, including a report.
- Simple testing process with local operation or other operating interfaces.
- Clear measuring point assessment (pass/fail) with high test coverage within the framework of manufacturer specifications.
- Extension of calibration intervals according to operator's risk assessment.

### Heartbeat Monitoring

Availability depends on the product structure.

Heartbeat Monitoring continuously supplies data, which are characteristic of the measuring principle, to an external condition monitoring system for the purpose of preventive maintenance or process analysis. These data enable the operator to:

- Draw conclusions - using these data and other information - about the impact the process influences, e.g. corrosion, abrasion, formation of buildup, have on the measuring performance over time.
- Schedule servicing in time.
- Monitor the process quality or product quality, e.g. gas pockets.





## 14 Dimensions in SI units

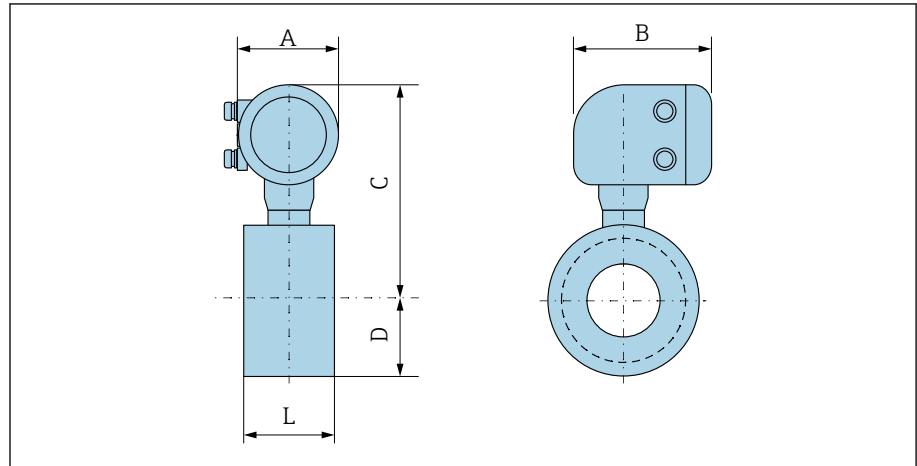
---

<b>Compact version</b>	<b>114</b>
Wafer version	114
Threaded version	115
<b>Remote version</b>	<b>116</b>
Transmitter remote version	116
Sensor remote version	117
<b>Flange connections</b>	<b>119</b>
Flange as per EN 1092-1: PN 16	119
Flange according to ASME B16.5: Class 150	120
Flange JIS B2220: 10K	121
<b>Couplings</b>	<b>122</b>
External thread: ISO 228	122
External thread: ASME B1.20.1	122
<b>Accessories</b>	<b>123</b>
Protective cover	123

## Compact version

### Wafer version

Order code for "Housing", option A "Compact, aluminum, coated"



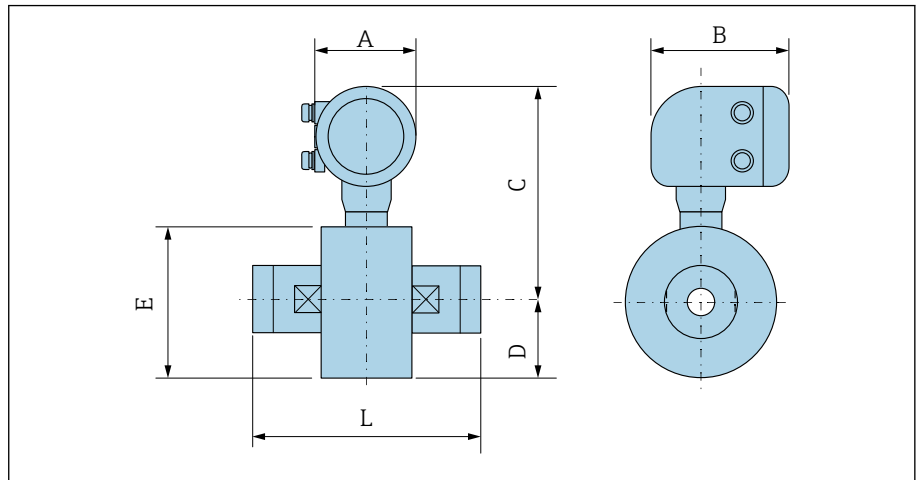
A0046005

DN		A <sup>1)</sup>	B	C	D	L
[mm]	[in]	[mm]	[mm]	[mm]	[mm]	[mm]
25	1	139	178	259	43	55
40	1 ½	139	178	270	52	69
50	2	139	178	281	62	83
65	-	139	178	291	70	93
80	-	139	178	295	76	117
-	3	139	178	295	76	117
100	4	139	178	309	89	148

1) Depending on the cable entry used: values up to +30 mm

### Threaded version

Order code for "Housing", option A "Compact, aluminum, coated"



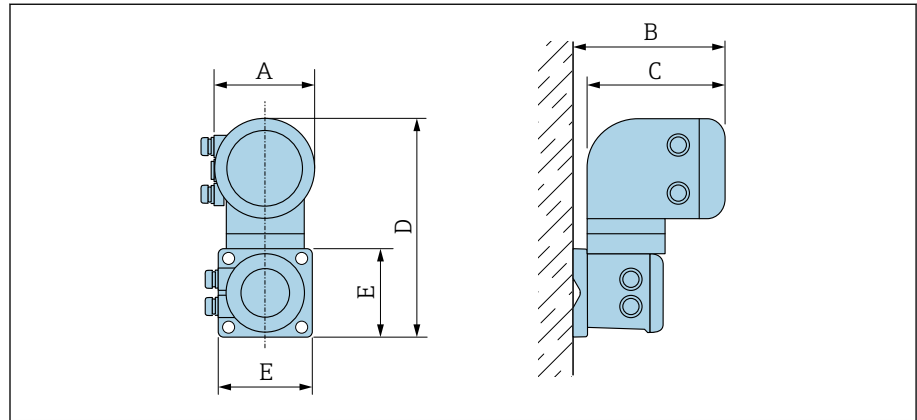
A0046007

DN		A <sup>1)</sup>	B	C	D	E	L
[mm]	[in]	[mm]	[mm]	[mm]	[mm]	[mm]	[mm]
25	1	139	178	259	43	86	110
40	1 ½	139	178	270	52	104	140
50	2	139	178	281	62	124	200

1) Depending on the cable entry used: values up to +30 mm

## Remote version

### Transmitter remote version



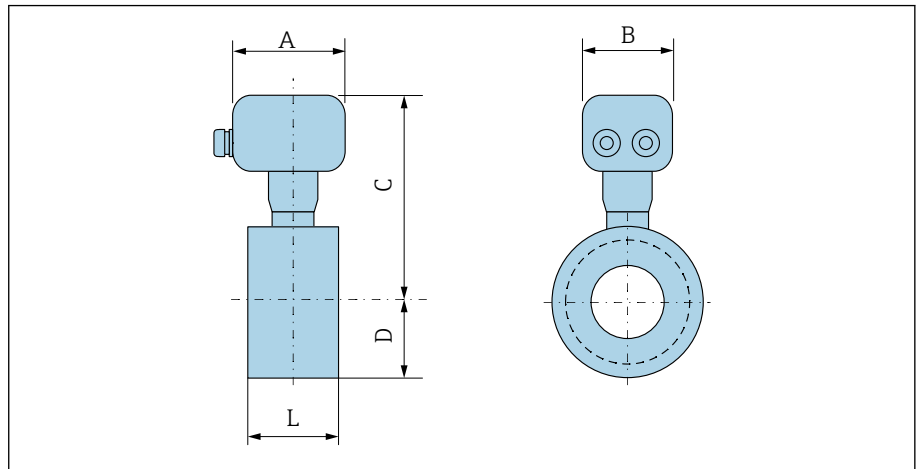
A0042715

Order code for "Housing"	A <sup>1)</sup> [mm]	B [mm]	C [mm]	D [mm]	E [mm]
Option P "Remote, aluminum, coated"	139	185	178	309	130

1) Depending on the cable entry used: values up to + 30 mm

## Sensor remote version

### Wafer version

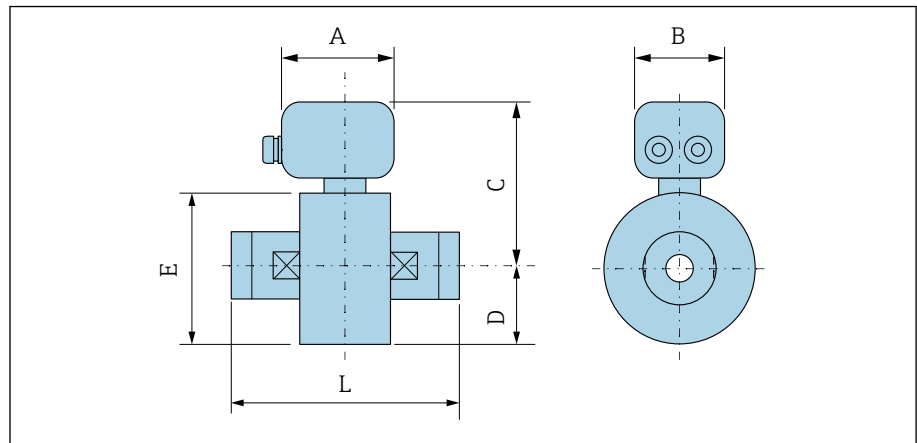


A0045564

DN		A <sup>1)</sup>	B	C	D	L
[mm]	[in]	[mm]	[mm]	[mm]	[mm]	[mm]
25	1	113	112	199	43	55
40	1 ½	113	112	210	52	69
50	2	113	112	221	62	83
65	-	113	112	231	70	93
80	-	113	112	235	76	117
-	3	113	112	235	76	117
100	4	113	112	249	89	148

1) Depending on the cable entry used: values up to +30 mm

## Threaded connection



DN		A <sup>1)</sup>	B	C	D	E	L
[mm]	[in]	[mm]	[mm]	[mm]	[mm]	[mm]	[mm]
25	1	113	112	199	43	86	110
40	1 ½	113	112	210	52	104	140
50	2	113	112	221	62	124	200

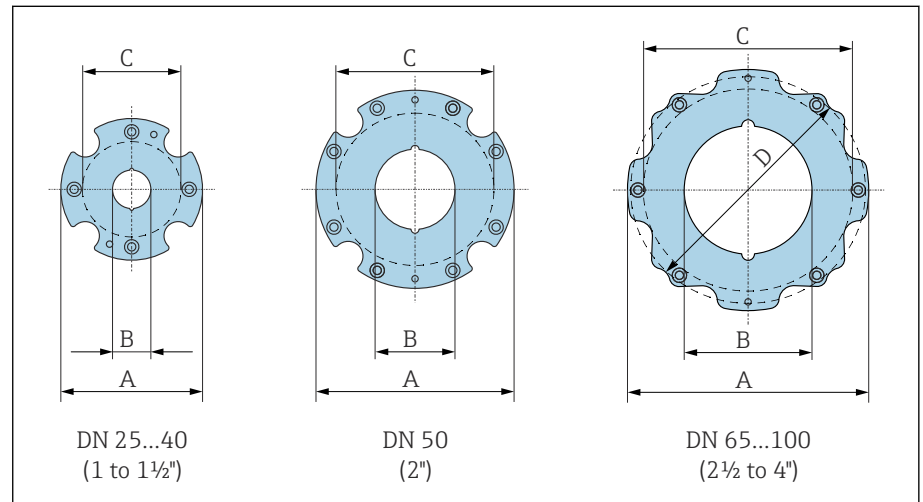
1) Depending on the cable entry used: values up to +30 mm

## Flange connections

### Flange as per EN 1092-1: PN 16

Order code for "Process connection", option D3Z

Mass B: internal diameter depends on the liner → *Measuring tube specification*, ☰ 104



A0046000

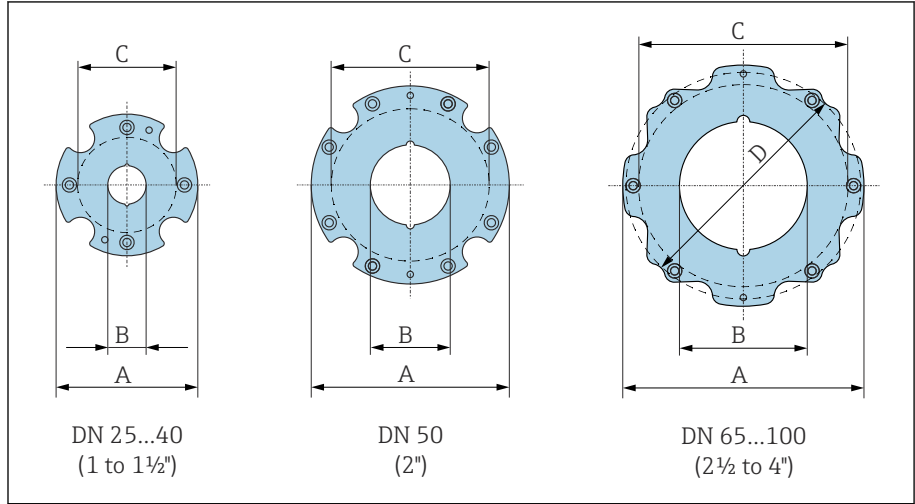
DN [mm]	A [mm]	B [mm]	C <sup>1)</sup> [mm]
25	86	24	68
40	105	38	87
50	124	50	106
65	139	60	125
80	151	76	135
100	179	97	160

1) Max. Ø seals

### Flange according to ASME B16.5: Class 150

Order code for "Process connection", option A1Z

Mass B: internal diameter depends on the liner → *Measuring tube specification*, ☰ 104



DN [in]	A [mm]	B [mm]	C <sup>1)</sup> [mm]	D [mm]
1	86	24	68	-
1 ½	105	38	87	-
2	124	50	106	-
3	151	76	135	138
4	179	97	160	-

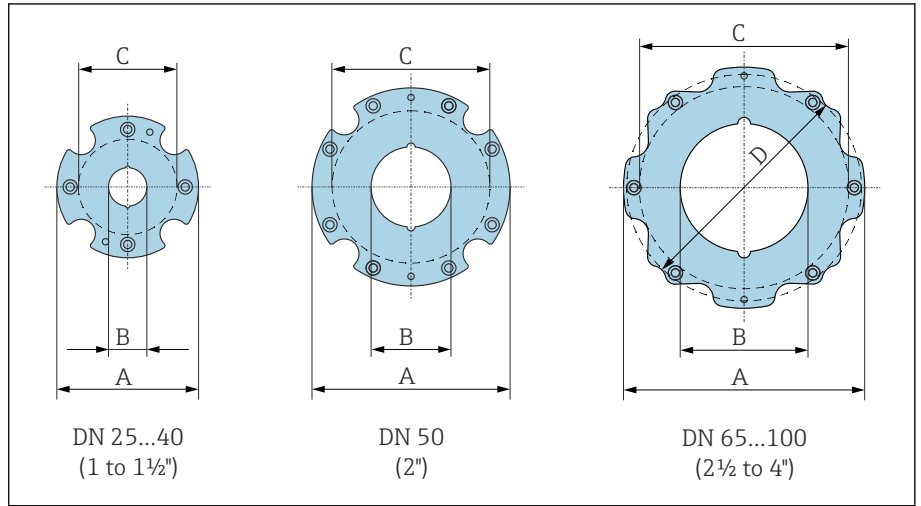
1) Max. Ø seals



### Flange JIS B2220: 10K

Order code for "Process connection", option N3Z

Mass B: internal diameter depends on the liner → *Measuring tube specification*,  104



A0046000

DN [mm]	A [mm]	B [mm]	C <sup>1)</sup> [mm]
25	86	24	68
40	105	38	87
50	124	50	106
65	139	60	125
80	151	76	135
100	179	97	160

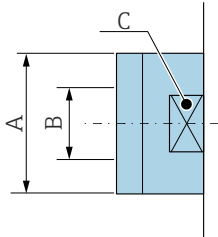
1) Max. Ø seals

## Couplings

### External thread: ISO 228

Order code for "Process connection", option I4S

Mass B: internal diameter depends on the liner → *Measuring tube specification*, 104



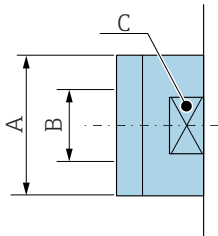
A0046008

DN [mm]	A [in]	B [mm]	C [mm]
25	G 1"	22	28
40	G 1 ½"	34.4	50
50	G 2"	43	60

### External thread: ASME B1.20.1

Order code for "Process connection", option I5S

Mass B: internal diameter depends on the liner → *Measuring tube specification*, 104

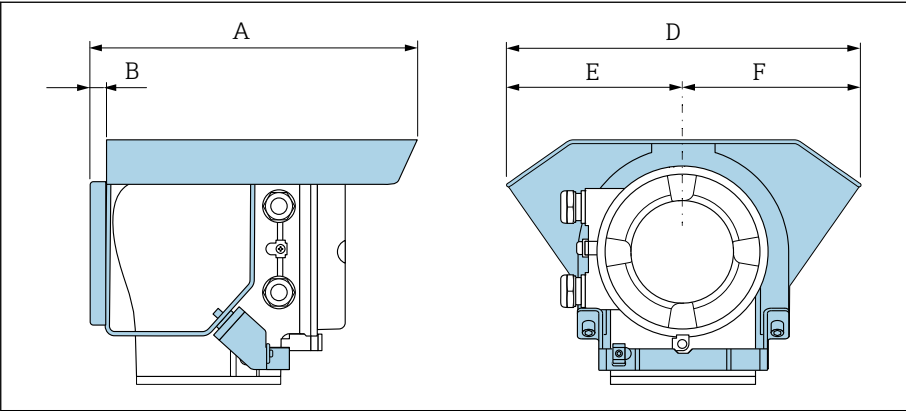


A0046008

DN [in]	A [in]	B [mm]	C [mm]
1	NPT 1"	22	28
1 ½	NPT 1 ½"	34.4	50
2	NPT 2"	43	60

### Accessories

#### Protective cover



A0042332

A [mm]	B [mm]	D [mm]	E [mm]	F [mm]
257	12	280	140	140



## 15 Dimensions in US units

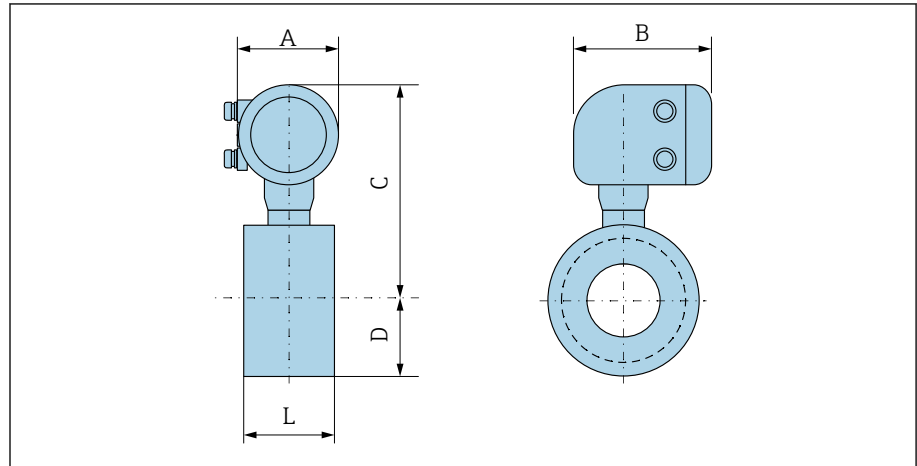
---

<b>Compact version</b>	<b>126</b>
Wafer version	126
Threaded version	127
<b>Remote version</b>	<b>128</b>
Transmitter remote version	128
Sensor remote version	129
<b>Flange connections</b>	<b>131</b>
Flange according to ASME B16.5: Class 150	131
<b>Couplings</b>	<b>132</b>
External thread: ASME B1.20.1	132
<b>Accessories</b>	<b>133</b>
Protective cover	133

## Compact version

### Wafer version

Order code for "Housing", option A "Compact, aluminum, coated"

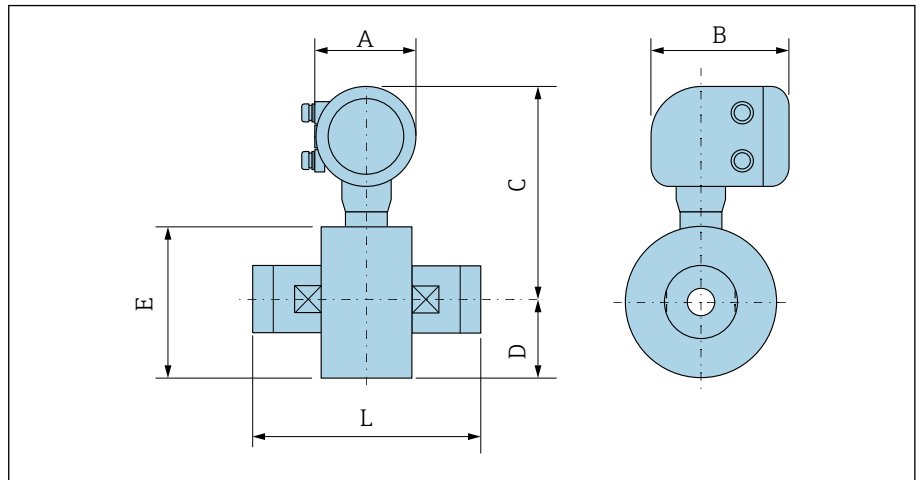


DN [in]	A <sup>1)</sup> [in]	B [in]	C [in]	D [in]	L [in]
1	5.47	7.01	10.2	1.69	2.17
1 ½	5.47	7.01	10.63	2.05	2.72
2	5.47	7.01	11.06	2.44	3.27
3	5.47	7.01	11.61	2.99	4.61
4	5.47	7.01	12.17	3.5	5.83

1) Depending on the cable entry used: values up to +1.18 in

## Threaded version

Order code for "Housing", option A "Compact, aluminum, coated"

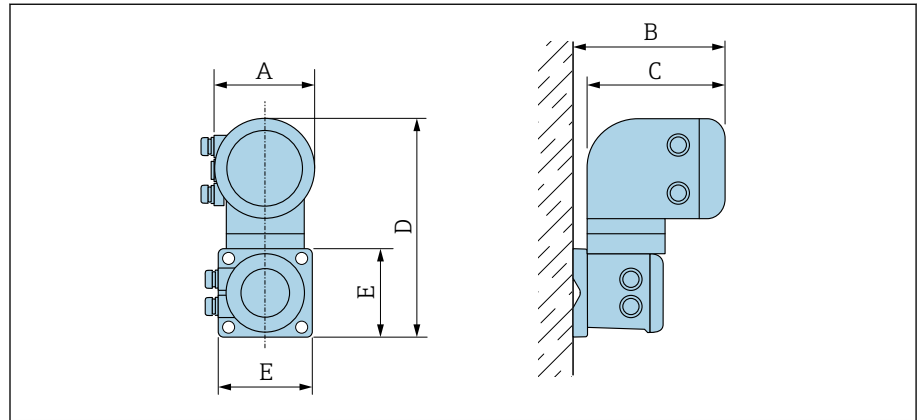


DN [in]	A <sup>1)</sup> [in]	B [in]	C [in]	D [in]	E [in]	L [in]
1	5.47	7.01	10.2	1.69	3.39	4.33
1 ½	5.47	7.01	10.63	2.05	4.09	5.51
2	5.47	7.01	11.06	2.44	4.88	7.87

1) Depending on the cable entry used: values up to +1.18 in

## Remote version

### Transmitter remote version



A0042715

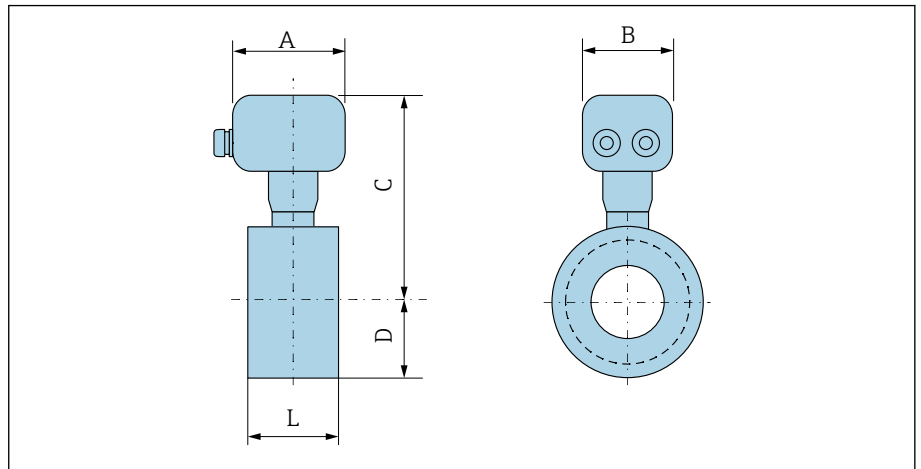
Order code for "Housing"	A <sup>1)</sup> [in]	B [in]	C [in]	D [in]	E [in]
Option P "Remote, aluminum, coated"	5.47	7.28	7.01	12.17	5.12

1) Depending on the cable entry used: values up to +1.18 in



## Sensor remote version

### Wafer version

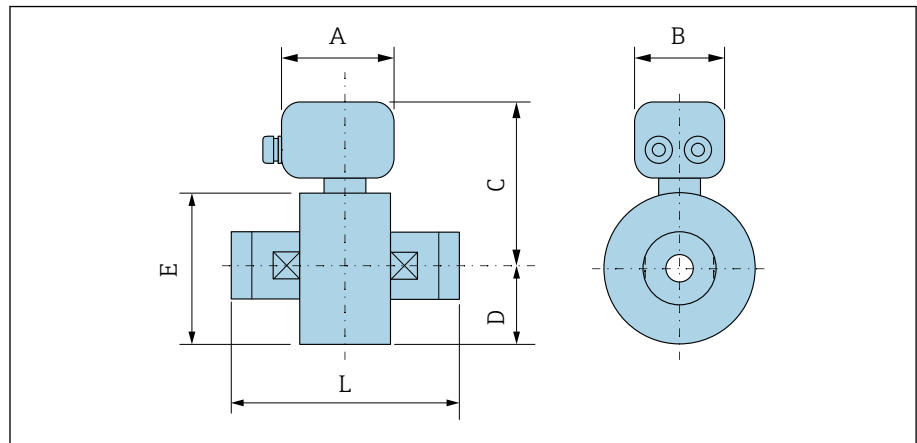


A0045564

DN [in]	A <sup>1)</sup> [in]	B [in]	C [in]	D [in]	L [in]
1	4.45	4.41	7.83	1.69	2.17
1 ½	4.45	4.41	8.27	2.05	2.72
2	4.45	4.41	8.7	2.44	3.27
3	4.45	4.41	9.25	2.99	4.61
4	4.45	4.41	9.8	3.5	5.83

1) Depending on the cable entry used: values up to +1.18 in

## Threaded connection



DN [in]	A <sup>1)</sup> [in]	B [in]	C [in]	D [in]	E [in]	L [in]
1	4.45	4.41	7.83	1.69	3.39	4.33
1 ½	4.45	4.41	8.27	2.05	4.09	5.51
2	4.45	4.41	8.7	2.44	4.88	7.87

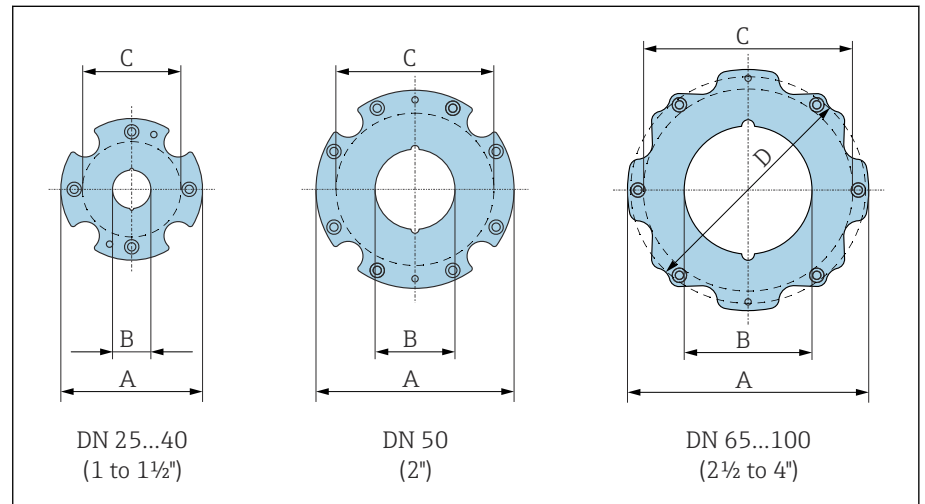
1) Depending on the cable entry used: values up to +1.18 in

## Flange connections

### Flange according to ASME B16.5: Class 150

Order code for "Process connection", option A1Z

Mass B: internal diameter depends on the liner → *Measuring tube specification*, ☰ 104



A0046000

DN [in]	A [in]	B [in]	C <sup>1)</sup> [in]	D [in]
1	3.39	0.94	2.68	-
1 ½	4.13	1.5	3.43	-
2	4.88	1.97	4.17	-
3	5.94	2.99	5.31	5.43
4	7.05	3.82	6.3	-

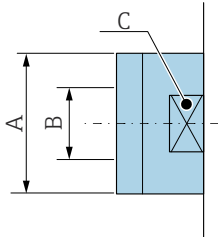
1) Max. Ø seals

## Couplings

### External thread: ASME B1.20.1

Order code for "Process connection", option I5S

Mass B: internal diameter depends on the liner → *Measuring tube specification*, 104

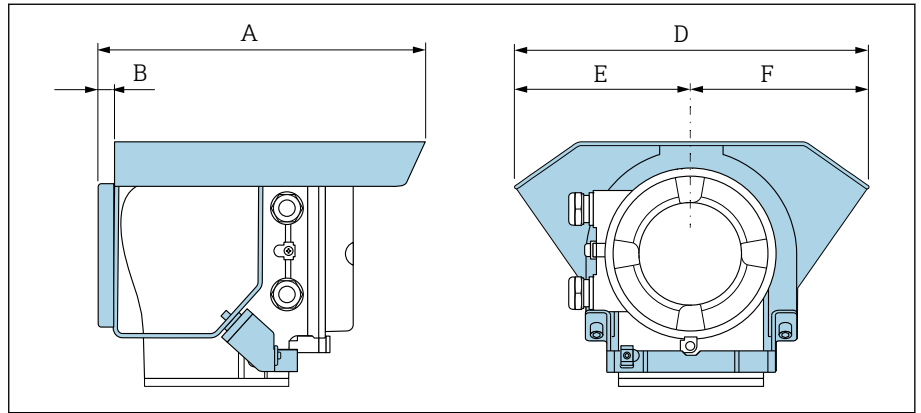


A0046008

DN [in]	A [in]	B [mm]	C [mm]
1	NPT 1"	22	28
1 ½	NPT 1 ½"	34.4	50
2	NPT 2"	43	60

## Accessories

### Protective cover



A [in]	B [in]	D [in]	E [in]	F [in]
10.12	0.47	11.02	5.51	5.51






## 16 Accessories

---

Device-specific accessories	136
Communication-specific accessories	137
Service-specific accessory	137
System components	138

## Device-specific accessories

### Transmitter







Accessories	Description	Order number
Proline 10 transmitter	 Installation Instructions EA01350D	5XBBXX-*...*
Weather protection cover	Protects the device from weather exposure:  Installation Instructions EA01351D	71502730
Connecting cable	Can be ordered with the device. The following cable lengths are available: order code for "Cable, sensor connection" <ul style="list-style-type: none"> <li>▪ 5 m (16 ft)</li> <li>▪ 10 m (32 ft)</li> <li>▪ 20 m (65 ft)</li> <li>▪ User-configurable cable length (m or ft)</li> </ul>  Max. cable length: 200 m (660 ft)	DK5013-*...*

### Sensor



Accessories	Description
Mounting kit for wafer version	Consists of: <ul style="list-style-type: none"> <li>▪ Mounting bolts</li> <li>▪ Nuts with washers</li> <li>▪ Flange seals</li> <li>▪ Centering sleeves (if required for flange)</li> </ul>
Seal set	Consists of: 2 flange seals





## Communication-specific accessories

Accessories	Description
Commubox FXA195 USB/HART modem	Intrinsically safe HART communication with FieldCare and FieldXpert  Technical Information TI00404F
Commubox FXA291	Connects the Endress+Hauser devices with the CDI interface (= Endress+Hauser Common Data Interface) to the USB interface of a personal computer or laptop.  Technical Information TI405C/07
HART Loop Converter HMX50	Is used to evaluate and convert dynamic HART process variables to analog current signals or limit values.  <ul style="list-style-type: none"> <li>▪ Technical Information TI00429F</li> <li>▪ Operating Instructions BA00371F</li> </ul>
Fieldgate FXA42	Transmission of measured values from connected 4 to 20 mA analog and digital devices.  <ul style="list-style-type: none"> <li>▪ Technical Information TI01297S</li> <li>▪ Operating Instructions BA01778S</li> <li>▪ Product page: <a href="http://www.endress.com/fxa42">www.endress.com/fxa42</a></li> </ul>
Field Xpert SMT70	Tablet PC for the configuration of the device. Enables mobile Plant Asset Management to manage the devices with a digital communication interface. Suitable for Zone 2.  <ul style="list-style-type: none"> <li>▪ Technical Information TI01342S</li> <li>▪ Operating Instructions BA01709S</li> <li>▪ Product page: <a href="http://www.endress.com/smt70">www.endress.com/smt70</a></li> </ul>
Field Xpert SMT77	Tablet PC for the configuration of the device. Enables mobile Plant Asset Management to manage the devices with a digital communication interface. Suitable for Zone 1.  <ul style="list-style-type: none"> <li>▪ Technical Information TI01418S</li> <li>▪ Operating Instructions BA01923S</li> <li>▪ Product page: <a href="http://www.endress.com/smt77">www.endress.com/smt77</a></li> </ul>

## Service-specific accessory

Accessories	Description	Order number
Applicator	Software for selecting and sizing Endress+Hauser devices.	<a href="https://portal.endress.com/webapp/applicator">https://portal.endress.com/webapp/applicator</a>
W@M Life Cycle Management	<ul style="list-style-type: none"> <li>▪ Information platform with software applications and services</li> <li>▪ Supports the entire life cycle of the facility.</li> </ul>	<a href="http://www.endress.com/lifecyclemanagement">www.endress.com/lifecyclemanagement</a>
FieldCare	FDT-based plant asset management software from Endress+Hauser. Management and configuration of Endress+Hauser devices.  Operating Instructions BA00027S and BA00059S	<ul style="list-style-type: none"> <li>▪ Device driver: <a href="http://www.endress.com">www.endress.com</a> → Download Area</li> <li>▪ CD-ROM (contact Endress+Hauser)</li> <li>▪ DVD (contact Endress+Hauser)</li> </ul>
DeviceCare	Software for connecting and configuring Endress+Hauser devices.  Innovation brochure IN01047S	<ul style="list-style-type: none"> <li>▪ Device driver: <a href="http://www.endress.com">www.endress.com</a> → Download Area</li> <li>▪ CD-ROM (contact Endress+Hauser)</li> <li>▪ DVD (contact Endress+Hauser)</li> </ul>

## System components

Accessories	Description
Memograph M	Graphic data manager: <ul style="list-style-type: none"><li>▪ Record measured values</li><li>▪ Monitor limit values</li><li>▪ Analyze measuring points</li></ul>  <ul style="list-style-type: none"><li>▪ Technical Information TI00133R</li><li>▪ Operating Instructions BA00247R</li></ul>
iTEMP	Temperature transmitter: <ul style="list-style-type: none"><li>▪ Measure the absolute pressure and gauge pressure of gases, vapors and liquids</li><li>▪ Read the medium temperature</li></ul>  "Fields of Activity" document FA00006T

## 17 Appendix

---

Screw tightening torques	140
Examples for electric terminals	142

## Screw tightening torques

### General notes

Note the following for the screw tightening torques:

- Only for lubricated threads.
- Only for pipes that are free from tensile stress.
- Only if using an EPDM soft-material flat seal (e.g. 70° Shore A).
- Tighten the screws uniformly and in diagonally opposite sequence.
- Overtightening the screws will deform the sealing surface or damage the seal.

### Mounting bolts and centering sleeves for EN 1092 -1, PN 16

Nominal diameter [mm]	Mounting bolts [mm]	Length Centering sleeve [mm]	Max. screw tightening torque [Nm] for a process flange with ...	
			smooth seal face	Raised face
25	4 × M12 × 145	54	19	19
40	4 × M16 × 170	68	33	33
50	4 × M16 × 185	82	41	41
65 <sup>1)</sup>	4 × M16 × 200	92	44	44
65 <sup>2)</sup>	8 × M16 × 200	– <sup>3)</sup>	29	29
80	8 × M16 × 225	116	36	36
100	8 × M16 × 260	147	40	40

- 1) EN (DIN) flange: 4-hole → with centering sleeves  
 2) EN (DIN) flange: 8-hole → without centering sleeves  
 3) A centering sleeve is not required. The device is centered directly via the sensor housing.

### Mounting bolts and centering sleeves for ASME B16.5; Class 150

Nominal diameter		Mounting bolts [in]	Length Centering sleeve [in]	Max. screw tightening torque [Nm] ([lbf · ft]) for a process flange with ...	
[mm]	[in]			smooth seal face	Raised face
25	1	4 × UNC ½" × 5.70	– <sup>1)</sup>	19 (14)	10 (7)
40	1 ½	4 × UNC ½" × 6.50	– <sup>1)</sup>	29 (21)	19 (14)
50	2	4 × UNC 5/8" × 7.50	– <sup>1)</sup>	41 (30)	37 (27)
80	3	4 × UNC 5/8" × 9.25	– <sup>1)</sup>	43 (31)	43 (31)
100	4	8 × UNC 5/8" × 10.4	5.79	38 (28)	38 (28)

- 1) A centering sleeve is not required. The device is centered directly via the sensor housing.

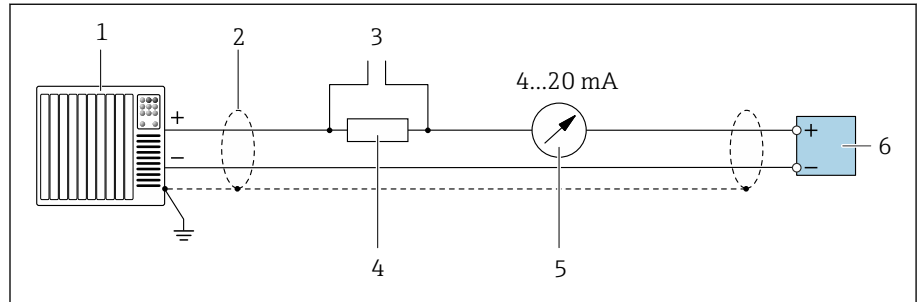
### Mounting bolts and centering sleeves for JIS B2220, 10K

Nominal diameter [mm]	Mounting bolts [mm]	Length Centering sleeve [mm]	Max. screw tightening torque [Nm] for a process flange with ...	
			smooth seal face	Raised face
25	4 × M16 × 170	54	24	24
40	4 × M16 × 170	68	32	25
50	4 × M16 × 185	– <sup>1)</sup>	38	30
65	4 × M16 × 200	– <sup>1)</sup>	42	42
80	8 × M16 × 225	– <sup>1)</sup>	36	28
100	8 × M16 × 260	– <sup>1)</sup>	39	37

1) A centering sleeve is not required. The device is centered directly via the sensor housing.

## Examples for electric terminals

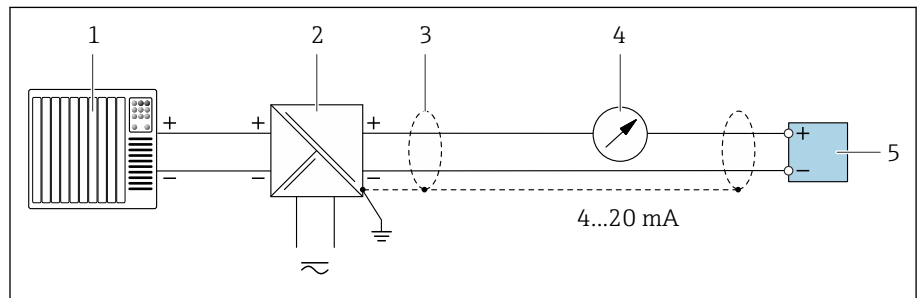
### Current output 4 to 20 mA HART (active)



A0029055

- 1 Automation system with current input, e.g. PLC
- 2 Cable shield
- 3 Connection for HART operating devices
- 4 Resistor for HART communication ( $\geq 250 \Omega$ ): observe max. load.
- 5 Analog display unit: observe max. load.
- 6 Transmitter

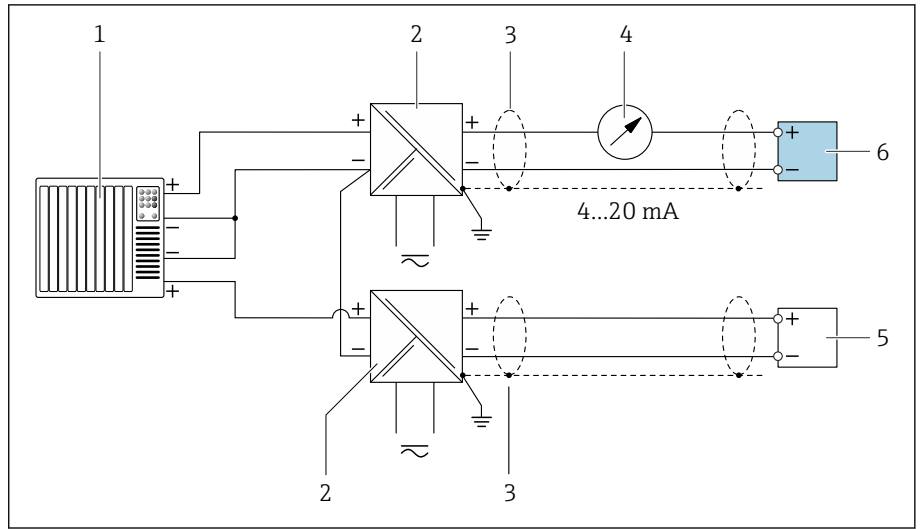
### Current output 4 to 20 mA HART (passive)



A0028762

- 1 Automation system with current input, e.g. PLC
- 2 Active barrier for supply voltage, e.g. RN22 1N
- 3 Cable shield
- 4 Analog display unit: observe max. load.
- 5 Transmitter

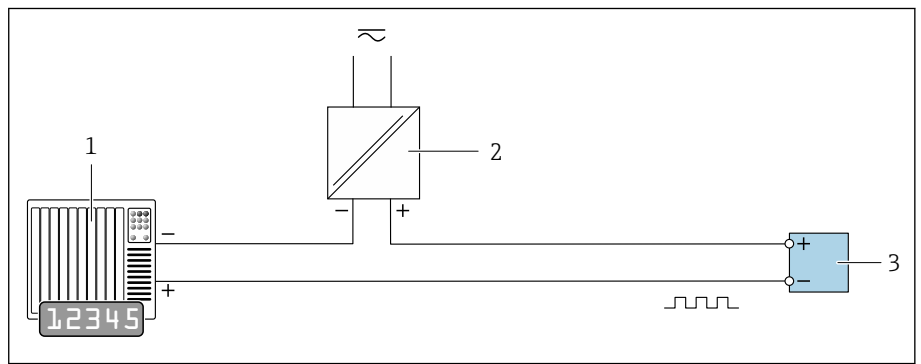
### HART input (passive)



11 Connection example for HART input with a common negative (passive)

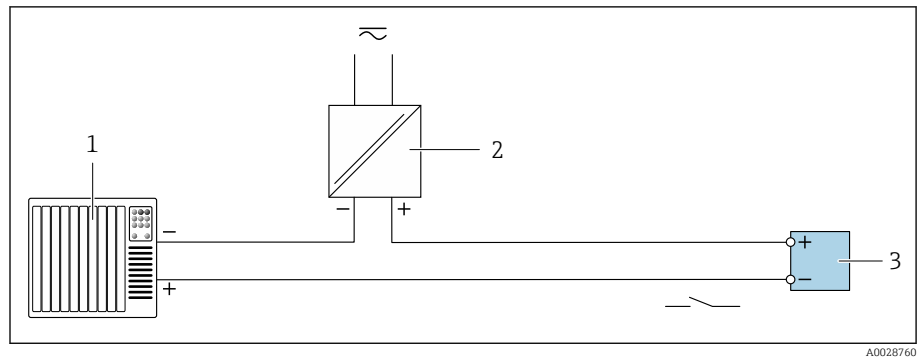
- 1 Automation system with current input, e.g. PLC
- 2 Active barrier for supply voltage, e.g. RN221N
- 3 Cable shield
- 4 Analog display unit: observe max. load.
- 5 Pressure measuring device, e.g. Cerabar M, Cerabar S: observe requirements
- 6 Transmitter

### Pulse/frequency output (passive)



- 1 Automation system with pulse output and frequency input, e.g. PLC
- 2 Supply voltage
- 3 Transmitter: observe input values.

### Switch output (passive)



- 1 Automation system with switch input, e.g. PLC
- 2 Supply voltage
- 3 Transmitter: observe input values.



## Index

### A

- Adapting the diagnostic behavior . . . . . 76
- Ambient temperature
  - Influence . . . . . 98
- Ambient temperature range . . . . . 99
- Applicator . . . . . 88
- Approvals . . . . . 109

### C

- Certificates . . . . . 109
- Certificates and approvals . . . . . 109
- Check
  - Connection . . . . . 48
  - Installation . . . . . 35
  - Received goods . . . . . 16
- Checking the storage conditions (checklist) . . . . . 21
- Checklist
  - Post-connection check . . . . . 48
  - Post-installation check . . . . . 35
- Commissioning . . . . . 61, 62
  - see Commissioning wizard
  - see Via local operation
  - see Via SmartBlue App
  - Switching on the device . . . . . 63
- Commissioning the device . . . . . 64
- Compatibility . . . . . 24
- Conductivity . . . . . 101
- Connecting the connecting cable
  - Sensor connection housing . . . . . 41
  - Transmitter connection housing . . . . . 41

### D

- Date of manufacture . . . . . 17, 18
- Degree of protection . . . . . 99
- Design
  - Device . . . . . 22
- Designated use . . . . . 16
- Device
  - Design . . . . . 22
  - Disposal . . . . . 86
  - Removal . . . . . 86
- Device components . . . . . 22
- Device description files . . . . . 58
- Device history . . . . . 24
- Device locking, status . . . . . 68
- Device name
  - Sensor . . . . . 18
  - Transmitter . . . . . 17
- Device reset
  - Settings . . . . . 82
- Device usage
  - see Designated use
- Diagnostic information
  - Design, description . . . . . 74, 75
  - DeviceCare . . . . . 74
  - FieldCare . . . . . 74

### Light emitting diodes

- LED . . . . . 71
- Local display . . . . . 73
- Overview . . . . . 76
- Remedial measures . . . . . 76
- Diagnostic information in FieldCare or DeviceCare . . . . . 74
- Diagnostic information via LED . . . . . 71
- Diagnostic list . . . . . 80
- Diagnostic message . . . . . 73
- Diagnostics
  - Symbols . . . . . 73
- Display
  - Current diagnostic event . . . . . 79
  - Previous diagnostic event . . . . . 79
- Display values
  - For locking status . . . . . 68
- Disposal . . . . . 85
- Disposing of the device . . . . . 86
- Drinking water approval . . . . . 109

### E

- Electromagnetic compatibility . . . . . 100
- Electronics module . . . . . 22
- Endress+Hauser services
  - Maintenance . . . . . 84
- Environment
  - Ambient temperature . . . . . 99
  - Storage temperature . . . . . 99
  - Vibration-resistance and shock-resistance . . . . . 99
- Error messages
  - see Diagnostic messages
- Event list . . . . . 80
- Event logbook . . . . . 80
- Extended order code
  - Sensor . . . . . 18
  - Transmitter . . . . . 17
- Exterior cleaning . . . . . 84
  - Cleaning . . . . . 84

### F

- Filtering the event logbook . . . . . 80
- Firmware history . . . . . 24
- Fitted electrodes . . . . . 106
- Flow limit . . . . . 101

### G

- Galvanic isolation . . . . . 92
- General troubleshooting . . . . . 70

### H

- HART certification . . . . . 109
- HART protocol
  - Device variables . . . . . 58
  - Dynamic variables . . . . . 58

### I

- Identify device . . . . . 17

- Incoming acceptance (checklist) . . . . . 16
- Influence
- Ambient temperature . . . . . 98
- Influence of ambient temperature . . . . . 98
- Input . . . . . 88
- Installation
- Mounting kit . . . . . 30
- Interior cleaning . . . . . 84
- Cleaning . . . . . 84
- L**
- Local display
- see Diagnostic message
  - see In alarm condition
- Local operation . . . . . 64
- Low flow cut off . . . . . 92
- M**
- Magnetism . . . . . 29
- Magnetism and static electricity . . . . . 29
- Main electronics module . . . . . 22
- Maintenance tasks . . . . . 84
- Materials . . . . . 105
- Maximum measured error . . . . . 97
- Measured variable
- see Process variables
- Measured variables via HART protocol . . . . . 58
- Measuring device
- Mounting the sensor
    - Arranging the mounting bolts and centering sleeves . . . . . 32
- Measuring principle . . . . . 16
- Measuring range . . . . . 88
- Measuring tube specification . . . . . 104
- Medium temperature range . . . . . 101
- Mounting bolts . . . . . 106
- Mounting kit . . . . . 30
- N**
- Nameplate
- Sensor . . . . . 18
  - Transmitter . . . . . 17
- Non-Ex approval . . . . . 109
- O**
- Operable flow range . . . . . 88
- Operation . . . . . 49, 67
- Order code . . . . . 17, 18
- Output . . . . . 89
- Output signal . . . . . 89
- Overview of diagnostic information . . . . . 76
- P**
- Packaging disposal . . . . . 21
- Pending diagnostic events . . . . . 79
- Performance characteristics . . . . . 97
- Post-connection check . . . . . 62
- Post-connection check (checklist) . . . . . 48
- Post-installation check . . . . . 62
- Post-installation check (checklist) . . . . . 35
- Post-installation check and post-connection check . . . . . 62
- Potential equalization . . . . . 45
- Pressure Equipment Directive . . . . . 109
- Pressure loss . . . . . 102
- Pressure tightness . . . . . 102
- Pressure-temperature ratings . . . . . 102
- Process conditions
- Conductivity . . . . . 101
  - Flow limit . . . . . 101
  - Medium temperature . . . . . 101
  - Pressure loss . . . . . 102
  - Pressure tightness . . . . . 102
  - Pressure-temperature ratings . . . . . 102
- Process connections . . . . . 107
- Product design . . . . . 22
- Product identification . . . . . 17
- R**
- Radio approval . . . . . 109
- Reading out the event logbook . . . . . 80
- Reading the device locking status . . . . . 68
- Recycling of packaging materials . . . . . 21
- Reference operating conditions . . . . . 97
- Registered trademarks . . . . . 9
- Removing the device . . . . . 86
- Repeatability . . . . . 97
- S**
- Safety instructions . . . . . 11
- Sensor nameplate . . . . . 18
- Serial number . . . . . 17, 18
- Services . . . . . 84
- Signal on alarm . . . . . 92
- SmartBlue App . . . . . 64
- Operating options . . . . . 55
- Standards and guidelines . . . . . 110
- Static electricity . . . . . 29
- Status signals . . . . . 73
- Storage . . . . . 21
- Storage conditions . . . . . 21
- Storage temperature . . . . . 21, 99
- Storage temperature range . . . . . 99
- Submenu
- Device management . . . . . 68
  - Event list . . . . . 80
- Switching on the device . . . . . 63
- System design
- see Device design
- System integration . . . . . 57
- T**
- Temperature range
- Storage temperature . . . . . 21
- Tool
- Transport . . . . . 19
- Transmitter nameplate . . . . . 17
- Transport
- Transporting the device . . . . . 19

---

Troubleshooting	
General	70
<b>V</b>	
Vibration-resistance and shock-resistance	99
<b>W</b>	
W@M Device Viewer	17
Weight	
Compact version	103
Transport (notes)	19
Wiring the sensor connection housing	41
Wiring the transmitter housing	41



71526973

[www.addresses.endress.com](http://www.addresses.endress.com)

---