

Portable Pressure Source

A quick, accurate and portable pressure source, the Source 3000 is designed for extended use wherever your job takes you.

Fully pneumatic, Source 3000 offers a clean, dry pressure source up to 3000 PSI. It is equipped with a large-capacity cylinder that ensures you won't run out of nitrogen in the middle of a job. It also eliminates the inconvenience and physical stress of hand pumps. It has two ports for connecting to a measuring device and virtually any electronic calibrator. For added convenience, the removable cover allows Source 3000 to be positioned at different angles for easy operation in tight spaces.

Perfect for use in a variety of environments, Source 3000 delivers reliable, high-accuracy performance. This unique device incorporates our standard ORION 2C pressure vernier that allows you to dial in exact pressure readings, eliminating the risk of costly damage from overshoot. It's housed in an aluminum carrying case that provides lightweight portability as well as protection in industrial environments.

Source 3000... providing a quick, convenient and lasting pressure source wherever you need it.

Applications

- Works with all major manufacturers' electronic pressure calibrators
- Truly portable pneumatic source to 3000 PSI
- Nitrogen source for a full day of calibrating



Standard Features

- Self-contained nitrogen cylinder
- "Overpressure protection" regulator limits pressure to costly units under test
- Charge your internal nitrogen cylinder to 3000 PSI with provided adapter fitting
- Two ports to connect to unit under test as well as a precision calibrator (works with all pressure calibrator models)
- Precisely dial into required pressures with patented valve assembly
- 15.2 cubic foot nitrogen at 3000 PSI
- Aluminum carrying case
- Front panel gauges inform operator of internal cylinder pressure level

Source

3000

CONDEC
Genuine Quality, Proven Performance.

INTERNAL PRESSURE CYLINDER:

15.2 cubic foot nitrogen at 3000 PSIG
 133 cubic inches, 3000 PSIG rating, 5000 PSIG test pressure
 6061 aluminum material

STORAGE TEMPERATURE:

0°F to 185°F (-17.8°C to 85°C)

PRESSURE MEDIA:

Clean dry nitrogen or equal

PRESSURE REGULATOR:

3000 PSIG, single stage, self venting, non-bleed

PRESSURE GAUGES:

(2) Two-inch diameter, 0-4000 PSIG

RUPTURE DISC:

3200 PSIG nominal, stainless steel outer case

PRESSURE FILTER:

20 micron nominal, field replaceable

CONTROL VALVES:

ORION 2C, state-of-the-art micro-metering valve, replaceable soft seat, aluminum and stainless steel

FILL PORT:

(1) One, 3400 PSIG rated 3050 PSIG operating, 316 series stainless steel

PIPING:

All stainless steel, seamless

TEST PORTS:

(2) Two, 5000 PSIG rated, 3000 PSIG operating, 300 series stainless steel

PRESSURE FITTINGS:

To mate with Input Port: (1) 1/4" 37° female AN swivel on one end and 1/8" NPT male on other, to go to customer input hose

To mate with Output Test Ports: (1) quick disconnect on one end and 1/4" NPT female on the other, to go to customer output hose

CASE:

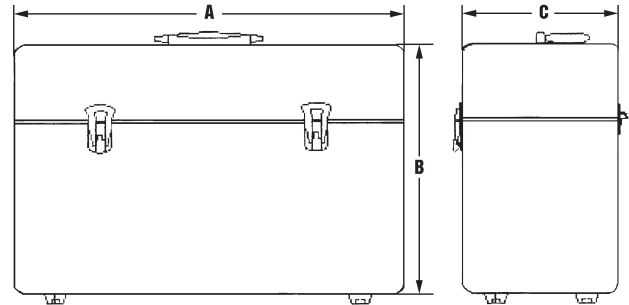
All aluminum case with latched cover and handle

WEIGHT:

25 lb. (9.07 kg)

OPTIONS:

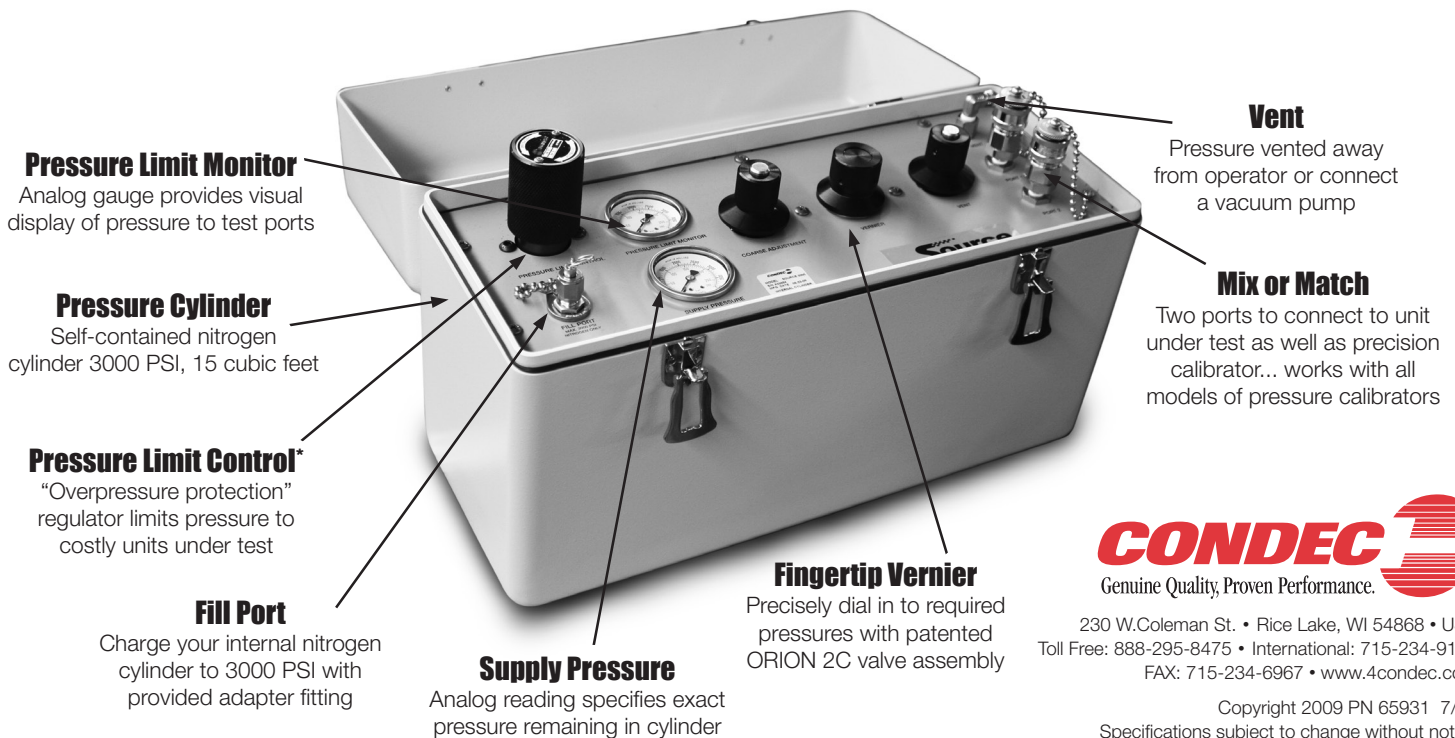
PN 67248 Test Port (output) 5' long hose w/quick-disconnect male hose fitting
 PN 78939 Fill Port (input) 5' long hose with CGA-580 cylinder connection fitting and cheat seal pad
 PN 58483 Pressure Trap (refer to literature sheet 58609)
 PN 79423 Canvas Tool/Hose Carrier (Fits in top cover of unit)
 PN 107288 Test Port adjustable adapter assembly, Female quick-disconnect to male coupling body other end, 3000 PSI, for hands-free display reading when used with CONDEC DPDG gauge, No installation tools required
 PN 106594 Test Port adjustable adapter assembly, quick-disconnect male coupling body to 1/8 NPT swivel other end, 5000 PSI for hands-free display reading when used with CONDEC 3000 or CONDEC 3030

**DIMENSIONS:**

A = 18.0" (457.2mm)
 B = 11.5" (292.1mm)

C = 7.2" (182.8mm)

specifications



230 W. Coleman St. • Rice Lake, WI 54868 • USA
 Toll Free: 888-295-8475 • International: 715-234-9171
 FAX: 715-234-6967 • www.4condec.com

Copyright 2009 PN 65931 7/09
 Specifications subject to change without notice

*Note: CONDEC REG 3000 shown.