



Shown with optional male quick-disconnect - 55394

### Please refer to price schedule for part numbers.

The CONDEC Digital Pressure Dial Gauge takes the concept of an analog test gauge and brings it to a new level, as only CONDEC calibrators can do. The CONDEC DPDG combines the accuracy of digital technology with the simplicity of an analog gauge, and achieves performance, ease-of-use, and a feature set unmatched in the pressure measurement world.

Setup of the CONDEC Digital Pressure Dial Gauge is fast and straightforward. A menu-driven display with minimal text and intuitive functions, allows for simple operation anywhere in the world, without the need for multilingual displays. The availability of optional sanitary seals that meet 3A standards per specifications: 37-01, allow the gauge to be used in virtually any application. If permanently mounting DPDG in a process line consider ordering with the 24V external power input option. Combined with the CONDEC Source 3000, it becomes a simplified pressure calibrator.

Ease of use, performance, and unmatched features gives the CONDEC DPDG the advantage over other pressure gauges.



"120422 - NO TOOLS REQUIRED"



"107288 - NO TOOLS REQUIRED"

### Applications

- Food and Beverage
- Instrumentation
- Pharmaceutical
- Pressure calibration
- Process monitoring and validation

### Standard Features

- Very high accuracy compared to analog test gauges;  $\pm 0.05\%$  F.S.
- Temperature compensated accuracy over  $+32^{\circ}\text{F}$  to  $122^{\circ}\text{F}$  ( $0^{\circ}\text{C}$  to  $50^{\circ}\text{C}$ )
- Eight (8) standard pressure ranges
- Displays in 18 standard or fully custom engineering units
- Displays ambient temperature in  $^{\circ}\text{C}$  or  $^{\circ}\text{F}$
- Large, backlit, 5-1/2 digit display with 0.65 inch high digits and 20 segment bar graph
- Rugged stainless steel case meets NEMA 4/IP65
- Password-protected "through the key pad" calibration
- Minimum/Maximum recall
- Adjustable TARE zeros large system offsets
- User-configurable damping smooths readings from pulsating plant air sources
- Auto shut-off for extended battery life
- Low battery indicator
- CSA intrinsically safe approved for Class 1, Div 2, Groups A,B,C & D
- CE approved
- Boot for protection against droppage
- RS-232 port

### Options/Accessories

85615.....RS-232 adapter cable

85616.....DPDG reference manual

55394.....Quick-disconnect mate to Source 3000 test port (male nipple/female 1/4 NPT)

107288.....Test port quick-disconnect adjustable adapter assembly, male coupling body to female quick-disconnect swivel other end, 3000 psig working pressure (for hands-free display reading when used between Source 3000 test port and CONDEC DPDG gauge)

120422.....Test port quick-disconnect adjustable adapter assembly, female quick-disconnect to 1/4-37 degree AN-4 swivel other end, 3000 psig working pressure (for hands-free display reading when used between Orion 2C Cased unit test port and CONDEC DPDG gauge, see pictorial next to product, requires Cheat Seal 54854)

Consult factory for 24V external power input

**INPUT RANGES:**

15 psi/1 BAR, 30 psi/2 BAR, 100 psi/7 BAR, 300 psi/21 BAR,  
500 psi/30 BAR, 1000 psi/70 BAR, 3000 psi/200 BAR, 5000  
psi/300 BAR, 10,000 psi/700 BAR

**ACCURACY:**

±0.05% F.S. positive pressure  
±0.25% F.S. vacuum/500 psi and below

**TEMPERATURE COMPENSATION:**

+32°F to 122°F (+0°C to +50°C) to rated accuracy

**STANDARD ENGINEERING UNITS:**

PSI, Bar, Kg/cm2, inH<sub>2</sub>O (4°C, 20°C or 60°F), ft H<sub>2</sub>O (4°C, 20°C  
or 60°F), cmH<sub>2</sub>O (4°C and 20°C), mH<sub>2</sub>O (4°C and 20°C), Kpa,  
mBAR, inHg, mmHg, TORR

**MEDIA COMPATIBILITY:**

Liquids and gases compatible with 316 stainless steel

**OPERATING TEMPERATURE:**

14°F to 131°F (-10°C to 55°C)

**OVERPRESSURE PROTECTION:**

Ranges from 15 psi to 500 psi: 3x input pressure range  
1000, 3000, and 5000 psi ranges: 2x input pressure range  
10,000 psi range: 1.5x input pressure

**STORAGE:**

-4°F to + 158°F (-20°C to + 70°C)

**DIMENSIONS:**

Dimensions 4.375 in. x 5.0 in. x 1.50 in.

**INPUT PORT:**

1/4 in. male NPT

**DISPLAY:**

5 digits, 0.65 in. (16.53 mm) height  
Bar Graph -0 to 100% in 20 segments

**POWER:**

Three (3), size AA alkaline batteries

Battery life:

1500 hours without backlight;  
2000 hours at slow sample rate;

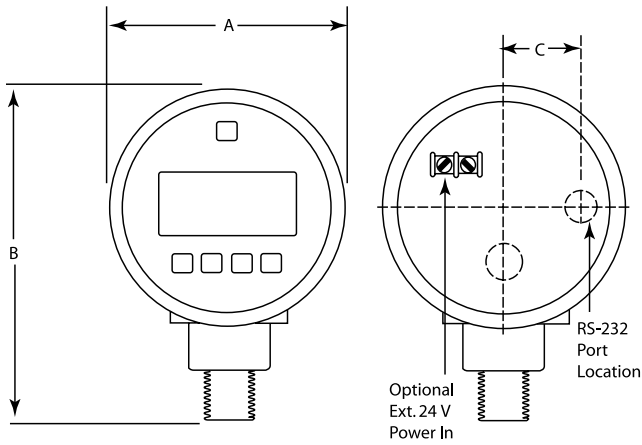
Battery life can be displayed on bar graph to indicate the  
amount of time left

**LOW BATTERY INDICATOR:**

Displayed icon near the end of battery life

**WEIGHT:**

1.56 lb



**DIMENSIONS**

A = 4.375 in. (111.1 mm)      C = 1.40 in. (35.6 mm)  
B = 5.38 in. (136.6 mm)