

# Technical Information

## CYA251

Flow assembly for nitrate/SAC, turbidity and oxygen sensors



### Application

The Flowfit CYA251 is a universal flow assembly for:

- Wastewater treatment plants:
  - Treatment and monitoring of process water
  - Monitoring of wastewater
- Drinking water and process water:
  - Treatment and monitoring of process water
  - Filter monitoring and filter backflushing
- All industrial utilities:
  - Treatment and monitoring of process water
  - Cooling water monitoring

It is suitable for:

- Nitrate/SAC: all measuring ranges
- Oxygen: all measuring ranges
- Turbidity: medium and high measuring ranges

### Your benefits

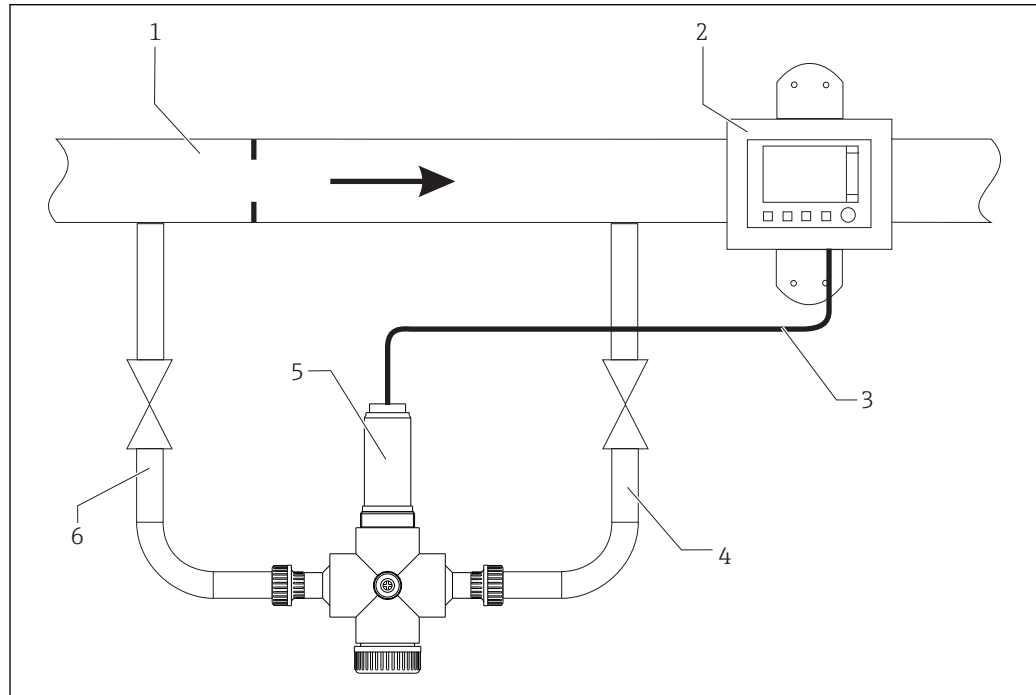
- Easy to adapt to your system: process connections available for almost all pipe diameters.
- Different installation options: suitable for pipe- and wall-mounting.
- Fast measured values: shorter sensor response times thanks to low internal volume.
- Easy and safe maintenance: automatic sensor cleaning without interrupting the process.
- Robust design: suitable for process pressures up to 6 bar (87 psi).

## Function and system design

### Measuring system

A complete measuring system comprises:

- Flowfit CYA251 flow assembly
- Transmitter, e.g. Liquiline CM442
- 40 mm sensor, e.g. CUS50D
- Measuring cable



A0037719

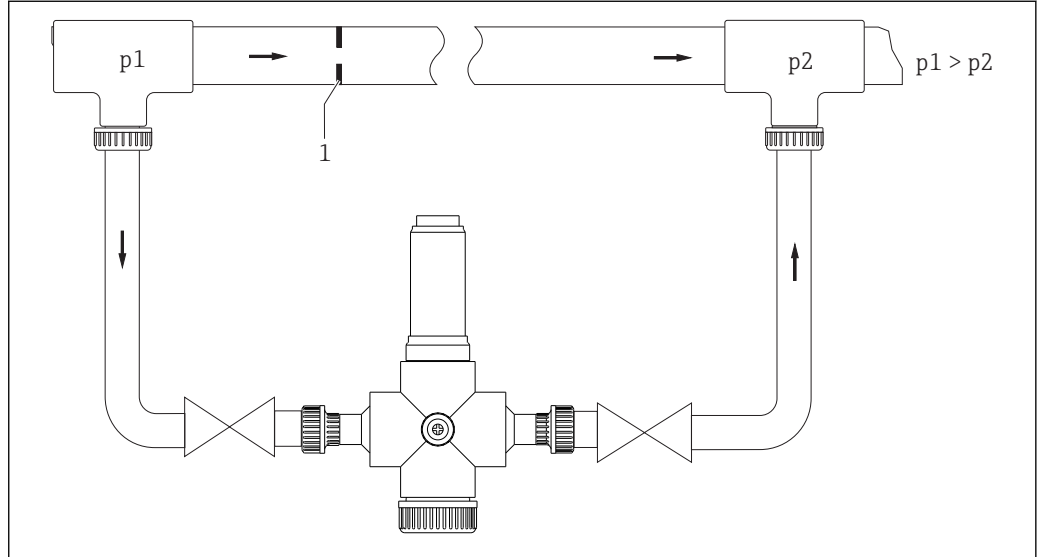
1 Example of a measuring system

- 1 Process pipe
- 2 Liquiline CM442 transmitter
- 3 Measuring cable
- 4 Return line with shut-off valve
- 5 Flow assembly CYA251 with 40 mm sensor
- 6 Inlet with shut-off valve

# Installation

## Installation instructions

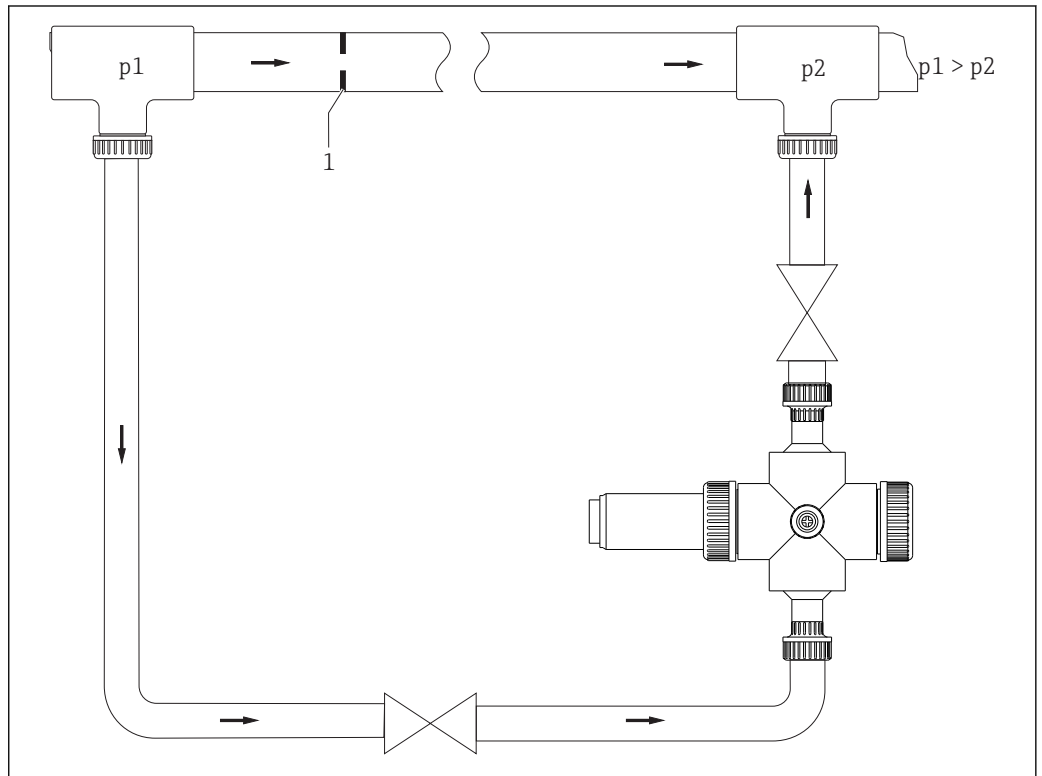
To achieve flow through the assembly with a bypass, pressure  $p_1$  must be higher than pressure  $p_2$ . This can be achieved by installing an orifice plate in the main pipe.



A0037716

2 Connection example with bypass and orifice plate in the main pipe

1 Orifice plate

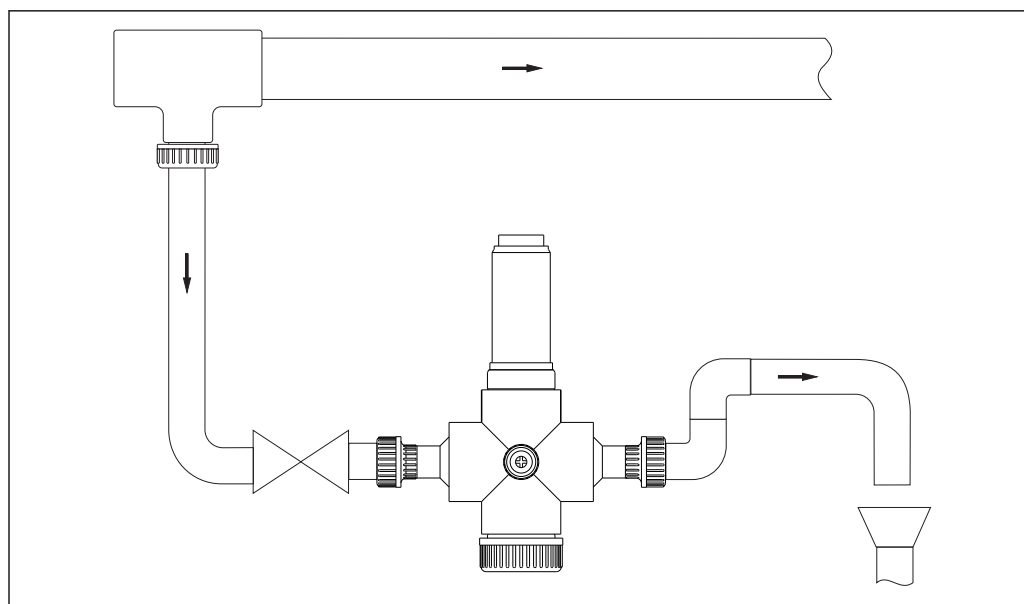


A0037717

3 Connection example involving a bypass and an orifice plate in the main pipe (assembly rotated by 90°, inlet at bottom)

1 Orifice plate

No measures to increase pressure are required for branch pipes that branch off from the main pipe.



A0037718

4 Connection example involving an open outlet

The inlet and outlet connection of the flow assembly are always identical.

The inlet and outlet side are not specified by the flow assembly and can therefore be selected to suit the particular application.

The flow assembly is designed for connection to pipes and hoses.

*Required at point of installation:*

Required components	Application
2 shut-off valves	Bypass solution
1 shut-off valve	Solution with open outlet
Orifice plate in the main pipe	Bypass solution
Dirt filter (500 µm or finer)	If the medium contains coarse particles of dirt
Pressure-reducing valve	If the medium pressure exceeds the permitted value
Wall holder unit to secure the assembly	Hose connection
Pipe or hose connections to the assembly	All versions

## Environment

**Ambient temperature range** 0 to 50 °C (32 to 122 °F)

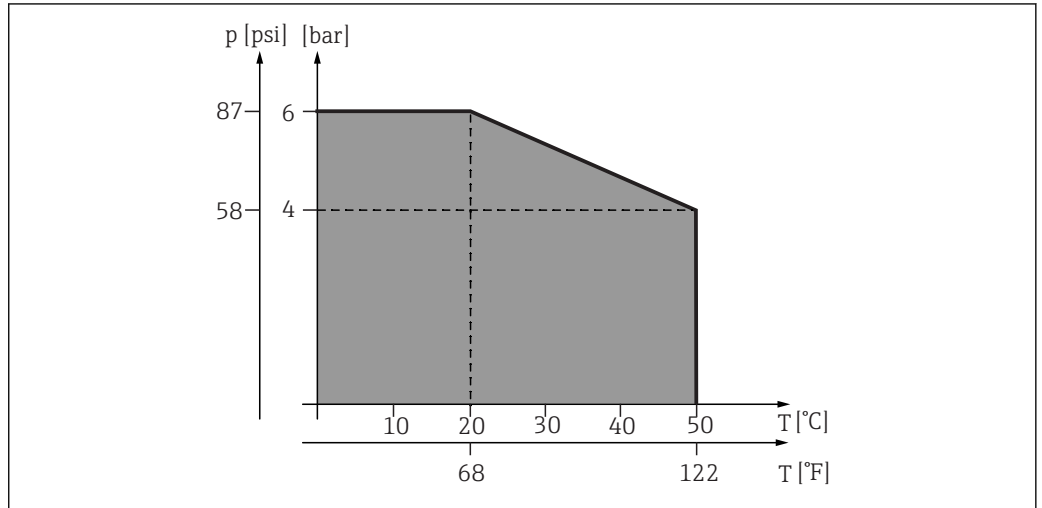
**Storage temperature** 0 to 50 °C (32 to 122 °F)

## Process

**Process temperature** 0 to 50 °C (32 to 122 °F), non-freezing

**Process pressure** Maximum 6 bar (87 psi) at 20 °C (68 °F)  
Maximum 4 bar (58 psi) at 50 °C (122 °F)

**Pressure/temperature ratings**



A0038408-EN

5 Pressure/temperature ratings

**Flow**

Depending on the sensor used and the sensor's properties. The data are based on water.

Typical values: For oxygen sensors approx. 200 l/h (53 gal/hr)

For turbidity and UV sensors approx. 100 l/h (26.5 gal/hr)

Minimum value: Depends on the parameter to be measured but must be such that representative measured values are still delivered.

Maximum value: It is not recommended to operate above 300 l/h (80 gal/hr).

## Mechanical construction

**Dimensions**

→ Section "Installation"

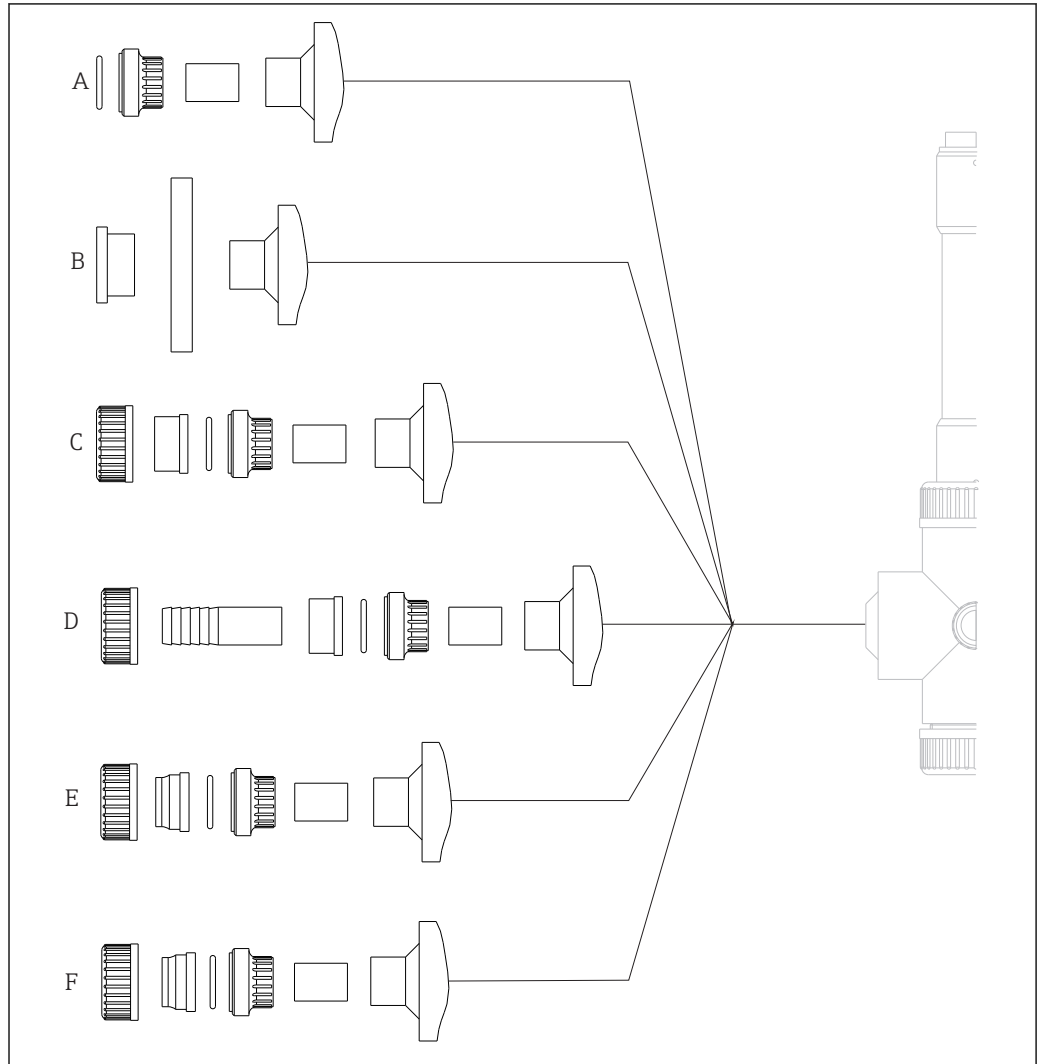
**Weight**

1.5 to 1.8 kg (3.3 to 4.0 lbs), depending on version

**Materials**

O-rings	EPDM
Flange (not in contact with medium)	PP
Flow vessel, process connections, adapter, fixing ring	PVC
Check valve	Plastic

## Process connection



6

- A External thread G1 1/4, PVC
- B Flange ANSI 1", PP black
- C Glue-in port DN 25 (thread DN 25 (1") D25), PVC
- D Hose D20 PVC
- E Internal thread G 3/4", PVC
- F Internal thread NPT 3/4", PVC

## Ordering information

---

**Product page**

[www.endress.com/cya251](http://www.endress.com/cya251)

---

**Product Configurator**

On the product page there is a **Configure** button to the right of the product image.

1. Click this button.
  - ↳ The Configurator opens in a separate window.
2. Select all the options to configure the device in line with your requirements.
  - ↳ In this way, you receive a valid and complete order code for the device.
3. Export the order code as a PDF or Excel file. To do so, click the appropriate button on the right above the selection window.



For many products you also have the option of downloading CAD or 2D drawings of the selected product version. Click the **CAD** tab for this and select the desired file type using picklists.

---

**Scope of delivery**

The delivery comprises:

- Flow assembly in the version ordered (including the selected sensor adapters and process connections)
- Accessories ordered
- Adapter with check valve (for optional cleaning only, 6 mm (0.24 in) connection for compressed air)
- 1 tube of lubricant (for O-rings)
- Operating Instructions

When the flow assembly is delivered, the cleaning port and cleaning connection are fitted with dummy plugs.

## Accessories

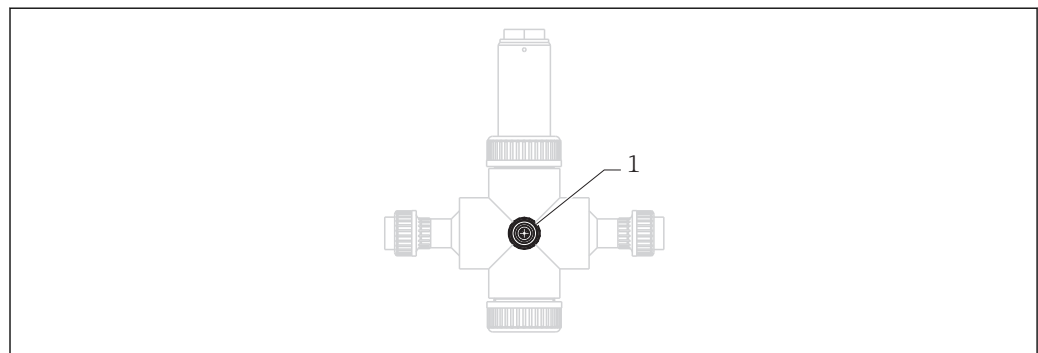
The following are the most important accessories available at the time this documentation was issued.

- ▶ For accessories not listed here, please contact your Service or Sales Center.

### Device-specific accessories

#### Cleaning nozzle

- For automatic sensor cleaning
- For sensor CAS51D (2 mm (0.08 in) or 8 mm (0.31 in) gap)  
Order number: 71144328
- For sensor CAS51D (40 mm (1.57 in) gap)  
Order number: 71144330
- For sensor CUS51D, COS51D, COS61D, COS61, COS31, COS41  
Order number: 71144331
- For sensor CUS50D  
Order number: 71424819



A0038383

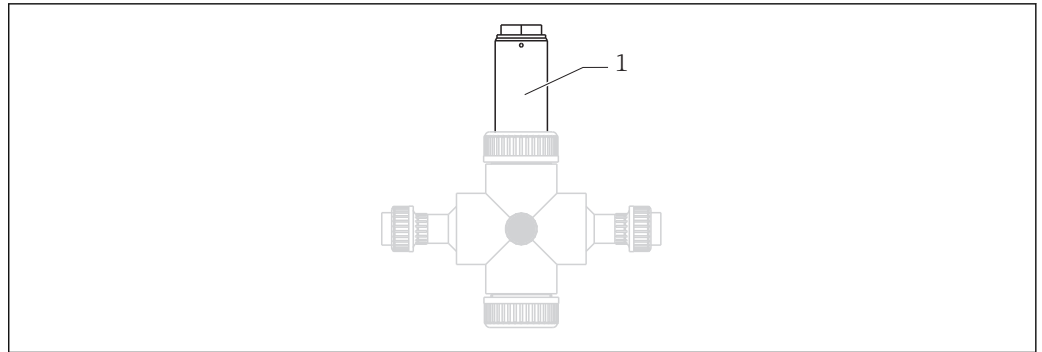
7 CYA251 with cleaning nozzle

1 Cleaning nozzle

#### Sensor adapter

- Adapter for installing the following sensors:
- For sensor COS61D, COS61, COS31  
Order number: 71144333
- For sensor COS41, COS51D  
Order number: 71144334
- For sensor CUS50D  
Order number: 71420151
- For sensor CUS51D  
Order number: 71144335
- For sensor CAS51D (2 mm (0.08 in) gap)  
Order number: 71144337
- For sensor CAS51D (8 mm (0.31 in) gap)  
Order number: 71144338
- For sensor CAS51D (40 mm (1.57 in) gap)  
Order number: 71144339





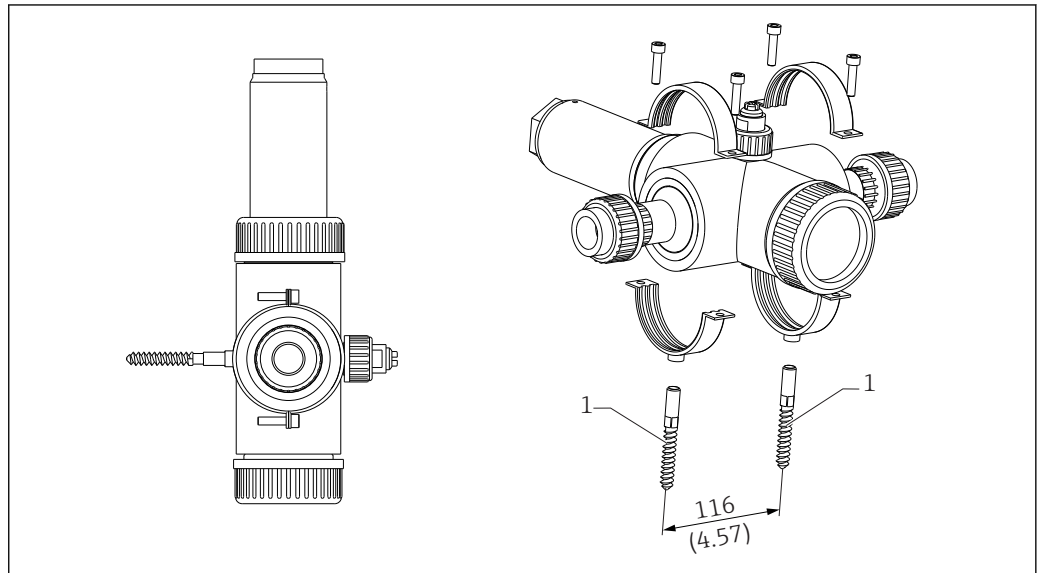
A0038384

8 CYA251 with sensor adapter

1 Sensor adapter

**Wall holder unit**

- Wall mounting kit for CYA251
- Order number: 71144369



A0037723

9 Wall mounting kit, dimensions in mm (in)

1 Hanger bolt STST 10 × 60 mm



---

[www.addresses.endress.com](http://www.addresses.endress.com)

---