

Operating Instructions

Turbimax CUS71D

Ultrasonic interface sensor

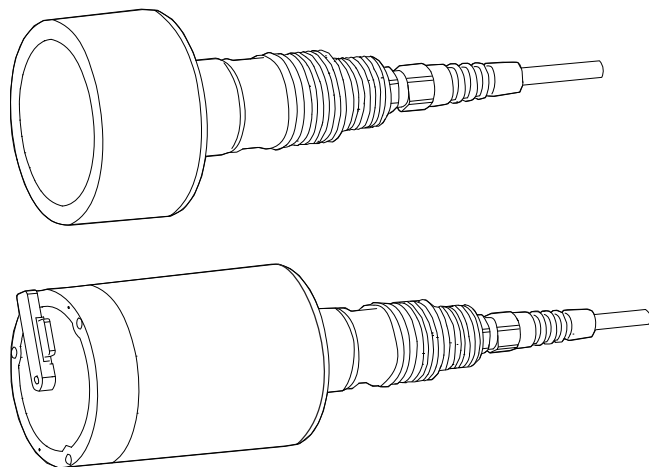






Table of contents





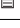
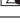
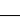
1	About this document	4	11	Repairs	23
1.1	Warnings	4	11.1	General notes	23
1.2	Symbols used	4	11.2	Spare parts	23
			11.3	Return	23
			11.4	Disposal	24
2	Basic safety instructions	5	12	Accessories	25
2.1	Requirements for personnel	5	12.1	Assemblies	25
2.2	Designated use	5	12.2	Holder	26
2.3	Workplace safety	6	12.3	Cable extension	27
2.4	Operational safety	7			
2.5	Product safety	7	13	Technical data	27
2.6	IT security	7	13.1	Input	27
3	Product description	8	13.2	Performance characteristics	27
3.1	Product design	8	13.3	Environment	28
4	Incoming acceptance and product identification	8	13.4	Process	28
4.1	Incoming acceptance	8	13.5	Mechanical construction	28
4.2	Product identification	9			
4.3	Scope of delivery	9	Index		29
4.4	Certificates and approvals	10			
5	Installation	11			
5.1	Installation conditions	11			
5.2	Mounting the sensor	14			
5.3	Post-installation check	17			
6	Electrical connection	17			
6.1	Connecting the sensor	17			
6.2	Post-connection check	20			
7	Commissioning	20			
7.1	Preparatory steps	20			
8	Operation	20			
8.1	Sensor monitoring	20			
8.2	Cyclic cleaning	21			
8.3	Automatic wiper function	21			
9	Diagnostics and troubleshooting	21			
9.1	General troubleshooting	21			
10	Maintenance	22			
10.1	Maintenance tasks	22			

1 About this document

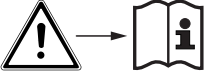
1.1 Warnings

Structure of information	Meaning
<p> DANGER</p> <p>Causes (/consequences) If necessary, Consequences of non-compliance (if applicable)</p> <ul style="list-style-type: none"> ▶ Corrective action 	<p>This symbol alerts you to a dangerous situation. Failure to avoid the dangerous situation will result in a fatal or serious injury.</p>
<p> WARNING</p> <p>Causes (/consequences) If necessary, Consequences of non-compliance (if applicable)</p> <ul style="list-style-type: none"> ▶ Corrective action 	<p>This symbol alerts you to a dangerous situation. Failure to avoid the dangerous situation can result in a fatal or serious injury.</p>
<p> CAUTION</p> <p>Causes (/consequences) If necessary, Consequences of non-compliance (if applicable)</p> <ul style="list-style-type: none"> ▶ Corrective action 	<p>This symbol alerts you to a dangerous situation. Failure to avoid this situation can result in minor or more serious injuries.</p>
<p> NOTICE</p> <p>Cause/situation If necessary, Consequences of non-compliance (if applicable)</p> <ul style="list-style-type: none"> ▶ Action/note 	<p>This symbol alerts you to situations which may result in damage to property.</p>

1.2 Symbols used

Symbol	Meaning
	Additional information, tips
	Permitted or recommended
	Not permitted or not recommended
	Reference to device documentation
	Reference to page
	Reference to graphic
	Result of a step

1.2.1 Symbols on the device

Symbol	Meaning
	Reference to device documentation

2 Basic safety instructions

2.1 Requirements for personnel

- Installation, commissioning, operation and maintenance of the measuring system may be carried out only by specially trained technical personnel.
- The technical personnel must be authorized by the plant operator to carry out the specified activities.
- The electrical connection may be performed only by an electrical technician.
- The technical personnel must have read and understood these Operating Instructions and must follow the instructions contained therein.
- Faults at the measuring point may only be rectified by authorized and specially trained personnel.



Repairs not described in the Operating Instructions provided must be carried out only directly at the manufacturer's site or by the service organization.

2.2 Designated use

CUS71D is a sensor designed for interface measurement in water and wastewater.

The sensor is particularly suited for use in the following applications:

- Wastewater treatment: primary clarifier, sludge thickener, secondary clarifier
- Water treatment: sedimentation tank after flocculant dosage, sludge height in contact sludge processes
- Static separation processes: with/without slow stirring and without introduction of air

Use of the device for any purpose other than that described, poses a threat to the safety of people and of the entire measuring system and is therefore not permitted.

The manufacturer is not liable for damage caused by improper or non-designated use.

NOTICE

Applications outside specifications!

Incorrect measurements, malfunctions and even measuring point failure could result

- ▶ Use the product only in accordance with the specifications.
- ▶ Pay attention to the technical data on the nameplate.

2.3 Workplace safety

As the user, you are responsible for complying with the following safety conditions:

- Installation guidelines
- Local standards and regulations

Electromagnetic compatibility

- The product has been tested for electromagnetic compatibility in accordance with the applicable European standards for industrial applications.
- The electromagnetic compatibility indicated applies only to a product that has been connected in accordance with these Operating Instructions.

2.4 Operational safety

Before commissioning the entire measuring point:

1. Verify that all connections are correct.
2. Ensure that electrical cables and hose connections are undamaged.
3. Do not operate damaged products, and protect them against unintentional operation.
4. Label damaged products as defective.

During operation:

- ▶ If faults cannot be rectified:
products must be taken out of service and protected against unintentional operation.

2.5 Product safety

The product is designed to meet state-of-the-art safety requirements, has been tested, and left the factory in a condition in which it is safe to operate. The relevant regulations and European standards have been observed.

2.6 IT security

We only provide a warranty if the device is installed and used as described in the Operating Instructions. The device is equipped with security mechanisms to protect it against any inadvertent changes to the device settings.

IT security measures in line with operators' security standards and designed to provide additional protection for the device and device data transfer must be implemented by the operators themselves.

3 Product description

3.1 Product design

The sensor is designed for continuous in-situ determination of interfaces.

The sensor includes all necessary modules:

- Power supply
- The ultrasonic source emits the measurement signals.
- The ultrasonic receiver receives the measurement signals, digitalizes the signals and converts them to a measurement value.
- The sensor microcontroller controls the internal operations and data transmission.

The preconfigured sensor can be used at a measuring point.

3.1.1 Measuring principle

A piezoelectric crystal is enclosed in a flat cylindrical plastic housing. When the crystal is excited by an electrical voltage, it generates a sonar signal. This causes ultrasonic waves to be transmitted at a frequency of approx. 650 kHz and at an angle of 6° to scan the separation zones.

The measured variable is the time the transmitted ultrasonic signal needs to reach the solid particles in the separation zone and return to the receiver. The separation zone is computed after the maximum slope and the maximum signal amplitude.

A sensor version featuring a wiper is available to reliably avoid the buildup of deposit on the sensor membrane.

4 Incoming acceptance and product identification

4.1 Incoming acceptance

1. Verify that the packaging is undamaged.
 - ↳ Notify the supplier of any damage to the packaging.
Keep the damaged packaging until the issue has been resolved.
2. Verify that the contents are undamaged.
 - ↳ Notify the supplier of any damage to the delivery contents.
Keep the damaged goods until the issue has been resolved.
3. Check that the delivery is complete and nothing is missing.
 - ↳ Compare the shipping documents with your order.
4. Pack the product for storage and transportation in such a way that it is protected against impact and moisture.
 - ↳ The original packaging offers the best protection.
Make sure to comply with the permitted ambient conditions.

If you have any questions, please contact your supplier or your local Sales Center.

4.2 Product identification

4.2.1 Nameplate

The nameplate provides you with the following information on your device:

- Manufacturer identification
- Order code
- Extended order code
- Serial number
- Ambient and process conditions
- Safety information and warnings

- ▶ Compare the information on the nameplate with the order.

4.2.2 Product identification

Interpreting the order code

The order code and serial number of your product can be found in the following locations:

- On the nameplate
- In the delivery papers

Obtaining information on the product

1. Go to www.endress.com.
2. Call up the site search (magnifying glass).
3. Enter a valid serial number.
4. Search.
 - ↳ The product structure is displayed in a popup window.
5. Click on the product image in the popup window.
 - ↳ A new window (**Device Viewer**) opens. All of the information relating to your device is displayed in this window as well as the product documentation.

Manufacturer address

Endress+Hauser Conducta GmbH+Co. KG
Dieselstraße 24
D-70839 Gerlingen

4.3 Scope of delivery

The delivery comprises:

- 1 Turbimax CUS71D sensor, version as ordered
- 1 set of Operating Instructions BA00490C/07/EN

- ▶ If you have any queries:

Please contact your supplier or local sales center.

4.4 Certificates and approvals

4.4.1 CE mark

The product meets the requirements of the harmonized European standards. As such, it complies with the legal specifications of the EU directives. The manufacturer confirms successful testing of the product by affixing to it the CE mark.

4.4.2 EAC

The product has been certified according to guidelines TP TC 004/2011 and TP TC 020/2011 which apply in the European Economic Area (EEA). The EAC conformity mark is affixed to the product.

4.4.3 Electromagnetic compatibility

Interference emission and interference immunity: Industrial environment as per

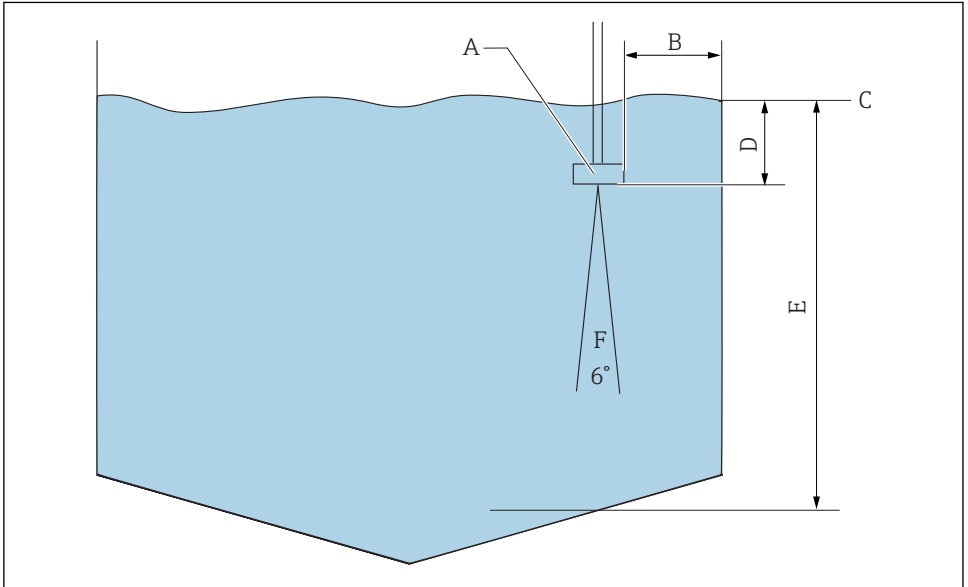
- EN 61326-1:2013
- EN 61326-2-3:2013
- NAMUR NE21: 2012

5 Installation

5.1 Installation conditions

5.1.1 Installation instructions

Basin configuration



A0031574

1 Basin configuration

- A Sensor
- B 50 cm (1.64 ft) Minimum distance between sensor and basin rim
- C Fixed reference point, e.g. surface of water, basin rim, bridge/walkway etc.
- D Sensor offset
- E Basin depth
- F Opening angle of ultrasonic cone 6°

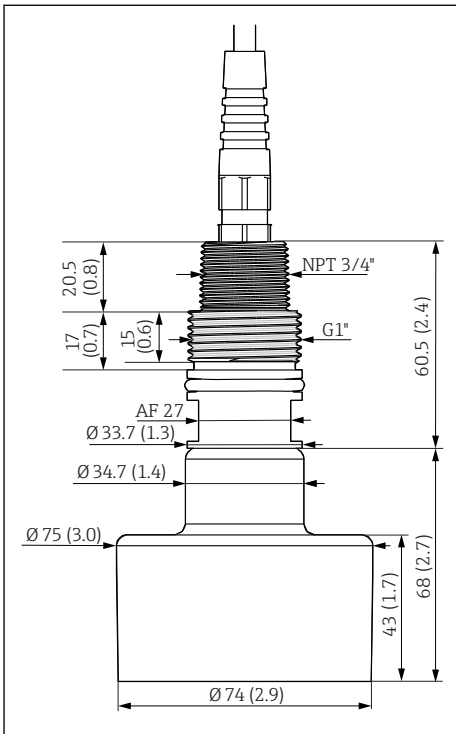
Installation instructions

Find a suitable installation position for the sensor in the basin. Take the following points into consideration when selecting the installation position:

1. Ensure the distance from the basin rim is at least 50 cm (1.64 ft) (the sensor emits ultrasonic waves in a conical pattern).
 - ↳ There should not be any conduits or basin wall protrusions in the measuring range below the sensor. Scraper units that are only temporarily in this area are permitted.

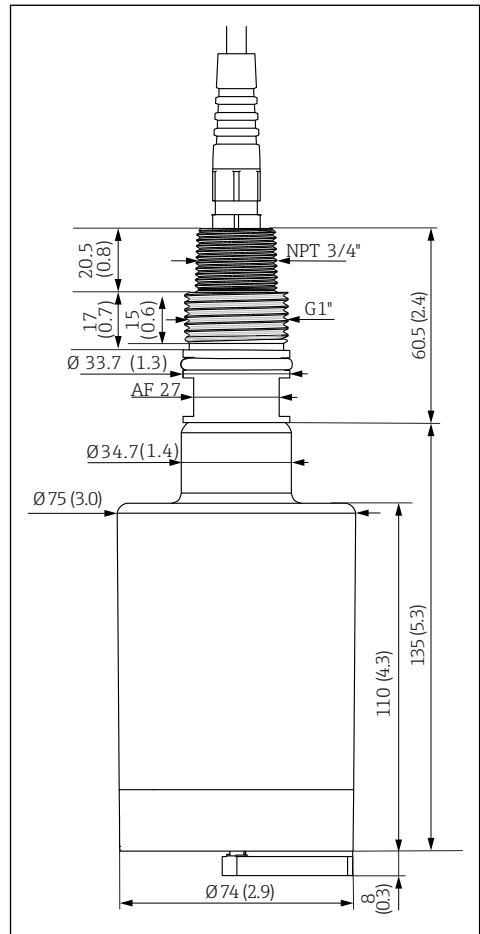
2. Mount the sensor so that it is straight and parallel to the basin wall (measured value offset).
 - ↳ Do not install the sensor in zones where air bubbles, turbulence, high concentrations of turbid material and suspended matter, or foam formation occur (e.g. inlet).
3. Using a dip pipe, install the sensor at least 20 cm (0.66 ft) beneath the surface of the water.

5.1.2 Dimensions



A0036897

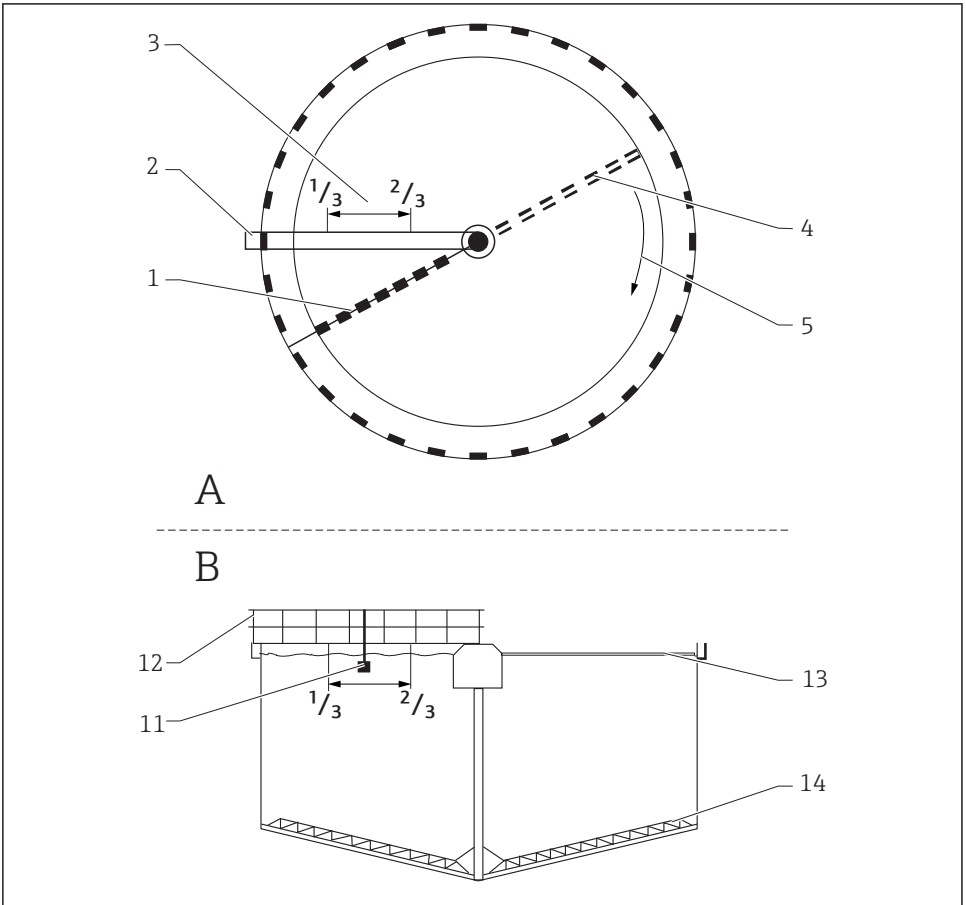
2 Dimensions for standard sensor.
Dimensions: mm (in)



A0036898

3 Dimensions for sensor with wiper.
Dimensions: mm (in)

Circular clarifier



A0031579

4 Basin configuration in circular clarifiers

A	View from above	B	Cross-section
1	Surface skimmer	11	Sensor
2	Bridge/walkway	12	Rail
3	Sensor position range	13	Surface skimmer
4	Floor rake	14	Floor rake
5	Direction of rake movement		

5.2 Mounting the sensor

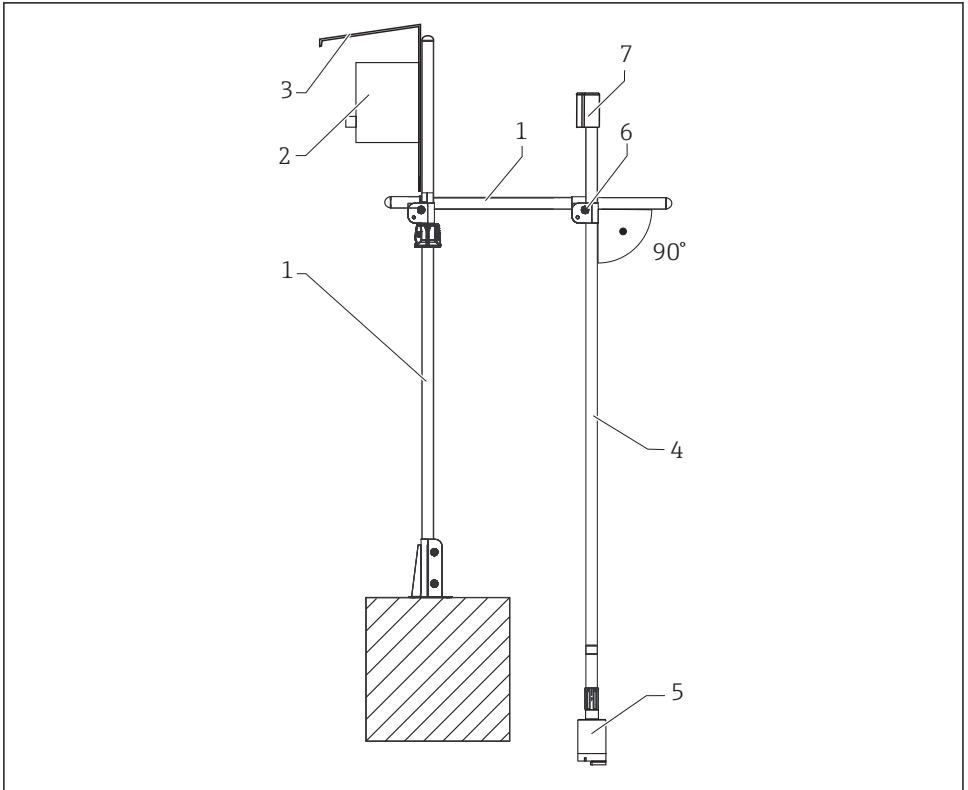
5.2.1 Measuring system

A complete measuring system comprises:

- Turbimax CUS71D ultrasonic sensor
- Liquiline CM44x multi-channel transmitter

and is optionally delivered with the following accessories:

- A weather protection cover CYY101
- A Flexdip CYH112 holder
- A fixed or rotatable Flexdip CYA112 dip pipe

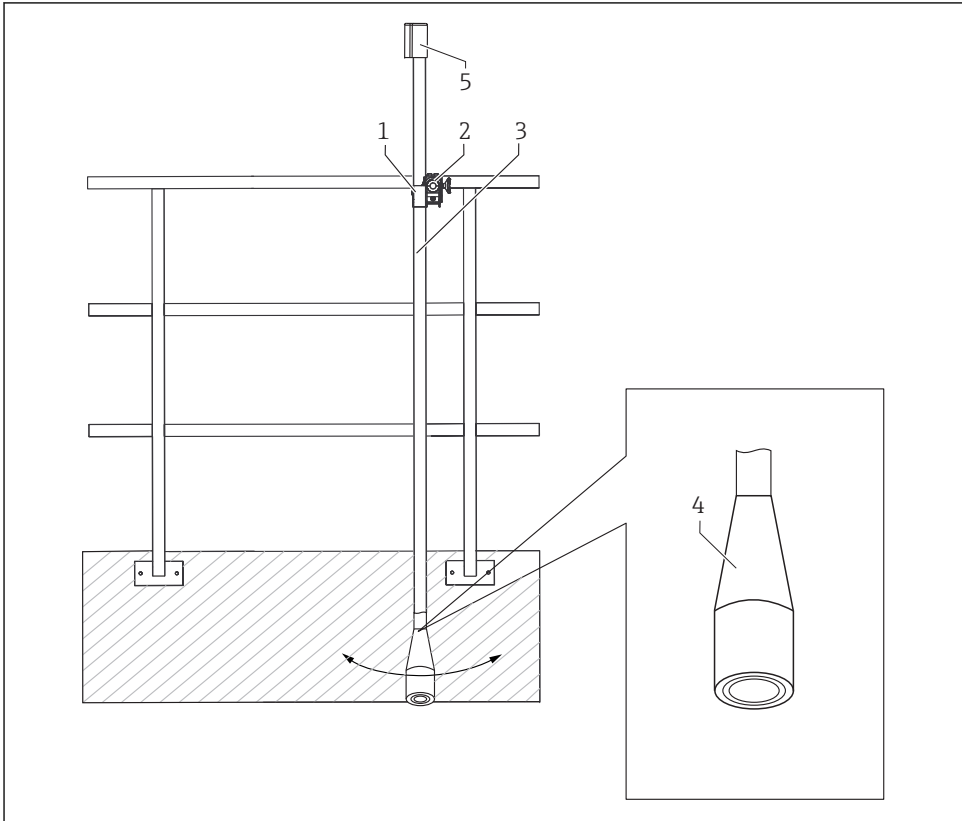


A0031577

5 Ultrasonic sensor with basin holder system and multi-channel transmitter

- 1 Flexdip CYH112 holder
- 2 Liquiline CM44x multi-channel transmitter
- 3 Protective cover
- 4 Flexdip CYA112 assembly
- 5 Turbimax CUS71D ultrasonic sensor
- 6 Vertical from all sides
- 7 Splash protection cap

5.2.2 Measuring system with pendulum holder



A0031578

6 Measuring system with pendulum holder

- 1 Flexdip CYH112 holder (cross clamp)
- 2 Flexdip CYH112 holder (pendulum holder)
- 3 Flexdip CYA112 assembly with CUS71D
- 4 PVC sensor protector
- 5 Splash protection cap

The PVC sensor protector protects the ultrasonic sensor from being damaged by the surface skimmer.

i In the case of surface skimmers, only use the sensor without a wiper and with a PVC sensor protector (→ 26).

5.3 Post-installation check

Check the following:

- Are the sensor and cable undamaged?
- Is the cap undamaged?
- Is the orientation correct?
- Is the sensor installed in an assembly and not suspended from the cable?



Avoid the penetration of moisture by fitting the protective cap on the assembly.

6 Electrical connection



Device is live!

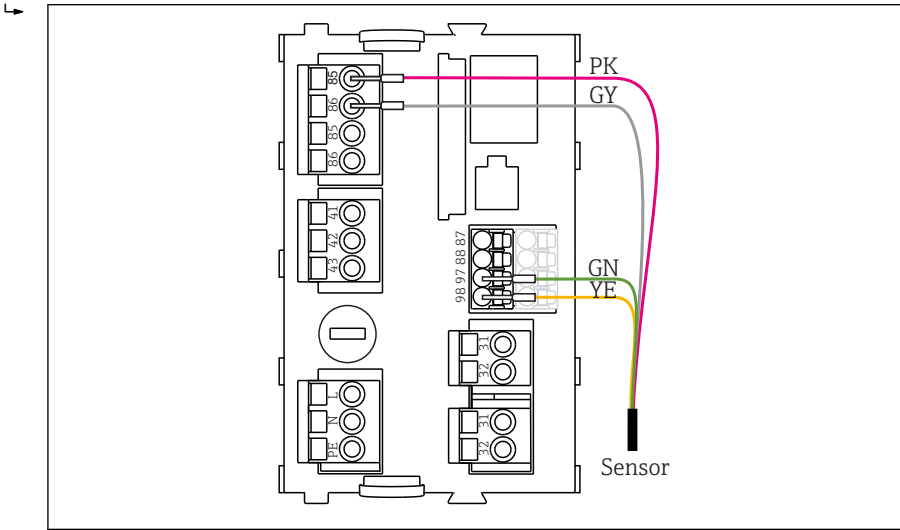
Incorrect connection may result in injury or death!

- ▶ The electrical connection may be performed only by an electrical technician.
- ▶ The electrical technician must have read and understood these Operating Instructions and must follow the instructions contained therein.
- ▶ **Prior** to commencing connection work, ensure that no voltage is present on any cable.

6.1 Connecting the sensor

1. Connect one sensor (maximum) to the Liquiline CM442. Connect up to 4 sensors to the Liquiline CM444 and CM448 transmitters.



2. Connect the fixed cable of the sensor to the Liquiline CM44x transmitter as follows:



 7 *Sensor connection*

The maximum cable length is 100 m (328 ft).

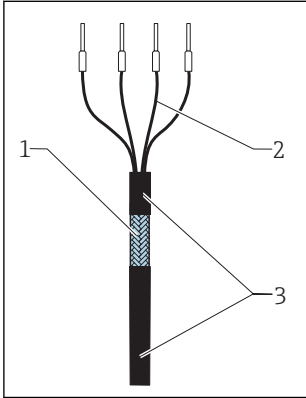
3. Use the following accessories to extend the sensor cable if necessary:

- CYK11 measuring cable with ferrules →  27
- Cable/cable junction box →  27

6.1.1 Connecting the cable shield

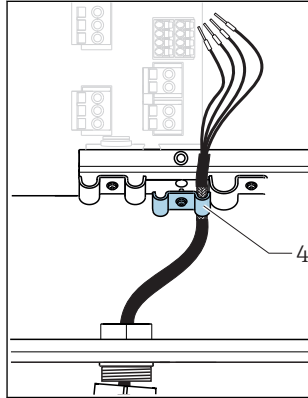
-  Only use terminated original cables where possible. The sensor cables must be shielded cables.

Cable sample (does not necessarily correspond to the original cable supplied)



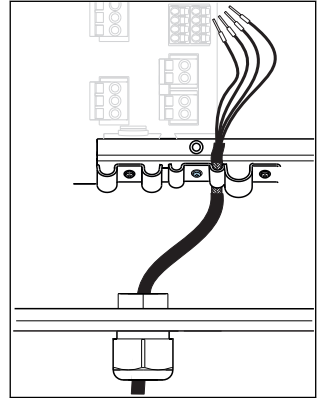
8 Terminated cable

- 1 Outer shield (exposed)
- 2 Cable cores with ferrules
- 3 Cable sheath (insulation)



9 Insert the cable

- 4 Grounding clip



10 Tighten screw (2 Nm)

The cable shield is grounded by the grounding clip.

6.2 Post-connection check

Device condition and specifications	Notes
Are the sensor, assembly, or cables free from damage on the outside?	Visual inspection
Electrical connection	Notes
Are the mounted cables strain-relieved and not twisted?	
Is a sufficient length of the cable cores stripped, and are the cores positioned in the terminal correctly?	Check the fit (by pulling gently)
Are all the screw terminals properly tightened?	Tighten
Are all cable entries mounted, tightened and leak-tight?	For lateral cable entries, make sure the cables loop downwards to allow water to drip off
Are all cable entries installed downwards or mounted laterally?	

7 Commissioning

7.1 Preparatory steps

7.1.1 Factory settings

The sensor is preconfigured on leaving the factory. Once the installation parameters have been adjusted, the sensor is ready for use in a wide range of applications without further adjustments. The factory settings cannot be deleted and can be restored at any time.

- ▶ Enter the installation parameters at the Liquiline CM44x transmitter.



For more information, please refer to the Operating Instructions of the transmitter.

8 Operation

8.1 Sensor monitoring

The acoustic signals are continuously monitored and analyzed for plausibility. If inconsistencies occur, an error message is output via the transmitter.

In addition, the following fault conditions are detected by the sensor diagnostics of Liquiline CM44x:

- Implausibly high or low measured values
- Disturbed regulation due to incorrect measured values

8.2 Cyclic cleaning

Cyclic cleaning is available for ultrasonic sensors with an integrated wiper. The wiper interval is set to 240 minutes at the factory.

8.3 Automatic wiper function

Sensor versions with a wiper have an integrated automatic wiper function. The wiper starts as soon as the sensor stops receiving a signal. This happens when the sensor membrane is fouled, for example.

- The wiper wipes twice every 5 minutes for a maximum of 3 runs.
- If the sensor does not receive a signal after 30 minutes, the sensor triggers the diagnostic message 172 **Echo loss** at the transmitter.

9 Diagnostics and troubleshooting

9.1 General troubleshooting

When troubleshooting, the entire measuring point must be taken into account:

- Transmitter
- Electrical connections and cables
- Assembly
- Sensor

The possible causes of error in the following table refer primarily to the sensor.

Display	Check	Solution
No display, no sensor reaction	<ul style="list-style-type: none"> ▪ Mains voltage connected to the transmitter ▪ Sensor connected correctly ▪ Deposit buildup on sensor membrane ▪ Check sensor/channel configuration 	<ul style="list-style-type: none"> ▪ Apply line voltage ▪ Make the right connection ▪ Clean sensor ▪ Assign sensor
Display value too high or too low	<ul style="list-style-type: none"> ▪ Basin configuration ▪ Check sensor installation 	Configure sensor
Display value fluctuating greatly	<ul style="list-style-type: none"> ▪ Check mounting location ▪ Deposit buildup on sensor membrane ▪ Basin configuration 	<ul style="list-style-type: none"> ▪ Select a different mounting location ▪ Clean sensor ▪ Configure sensor



Pay attention to the troubleshooting information in the Operating Instructions for the transmitter. Check the transmitter if necessary.

10 Maintenance

- ▶ You must perform maintenance tasks at regular intervals.

We recommend setting the maintenance times in advance in an operations journal or log.

The maintenance cycle primarily depends on the following:

- The system
- The installation conditions
- The medium in which measurement takes place

CAUTION

Risk of injury from acids or medium, damage to clothing and equipment!

- ▶ Switch off the cleaning unit before removing the sensor from the medium.
- ▶ Wear protective goggles and safety gloves.
- ▶ Clean away splashes on clothes and other objects.

10.1 Maintenance tasks

10.1.1 Cleaning the sensor

Sensor without wiper

Sensor fouling can affect the measurement results and even cause a malfunction.

- ▶ Clean the sensor, and the underside of the sensor in particular, at regular intervals to ensure reliable measurement.
 - ↳ The frequency and intensity of the cleaning process depend on the medium.

Clean the sensor:

- As specified in the maintenance schedule
 - Before returning it for repair
- ▶ After cleaning, rinse the sensor with copious amounts of water.

Sensor with wiper

The wiping interval is preselected via the software. The cleaning interval depends on the medium.



We recommend you replace the wiper blade every 6 to 12 months.

11 Repairs

11.1 General notes

- ▶ Only use spare parts from Endress + Hauser to guarantee the safe and stable functioning of the device.

Detailed information on the spare parts is available at:
www.endress.com/device-viewer

11.2 Spare parts

The following spare part kits are available for the sensor with a wiper:

Name of spare parts kit	Order code
Wiper blade with plastic housing and washer	71156817
Motor assembly <ul style="list-style-type: none"> ▪ Gear motor ▪ Motor cable 	71156830
Coupler assembly <ul style="list-style-type: none"> ▪ Set screw ▪ Coupling 	71156832
Shaft assembly <ul style="list-style-type: none"> ▪ Socket ▪ O-ring ▪ Shaft ▪ Washer 	71156833

For more detailed information on spare parts kits, please refer to the "Spare Part Finding Tool" on the Internet:

www.products.endress.com/spareparts_consumables

11.3 Return

The product must be returned if repairs or a factory calibration are required, or if the wrong product was ordered or delivered. As an ISO-certified company and also due to legal regulations, Endress+Hauser is obliged to follow certain procedures when handling any returned products that have been in contact with medium.

To ensure the swift, safe and professional return of the device:

- ▶ Refer to the website www.endress.com/support/return-material for information on the procedure and conditions for returning devices.

11.4 Disposal

The device contains electronic components, and must therefore be disposed of in accordance with regulations on the disposal of electronic waste.

- ▶ Observe the local regulations.

12 Accessories

The following are the most important accessories available at the time this documentation was issued.

- ▶ For accessories not listed here, please contact your Service or Sales Center.

12.1 Assemblies

FlexdipCYA112

- Immersion assembly for water and wastewater
- Modular assembly system for sensors in open basins, channels and tanks
- Material: PVC or stainless steel
- Product Configurator on the product page: www.endress.com/cya112



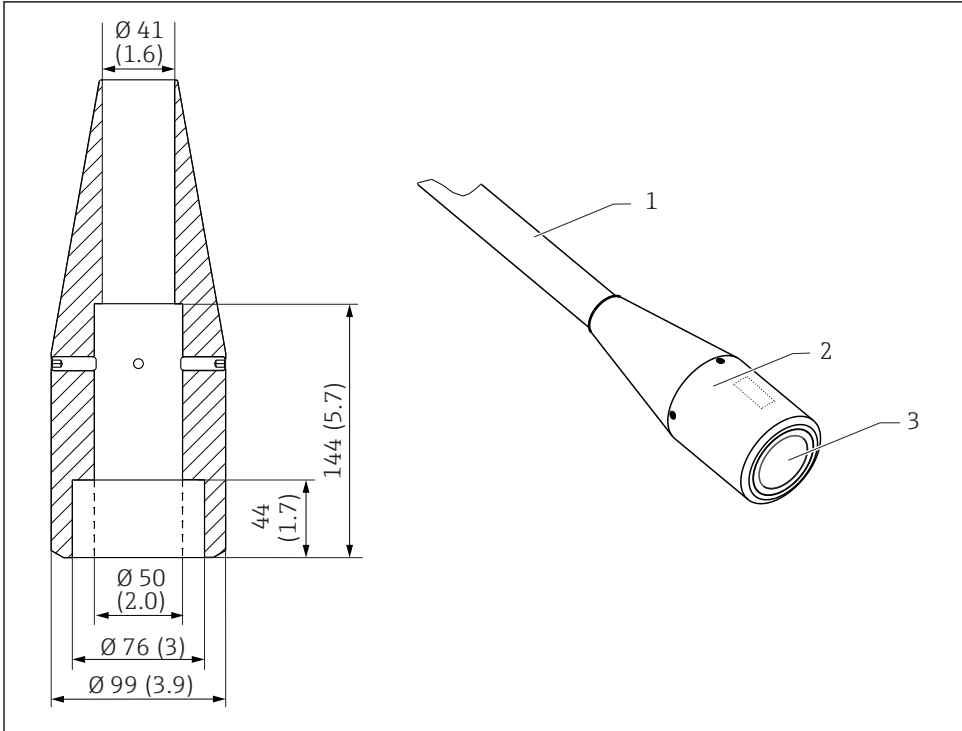
Technical Information TI00432C

PVC sensor protector for pendulum holder

- The PVC sensor protector protects the CUS71D ultrasonic sensor from being damaged by the surface skimmer.
- Available for order via the product structure
- Can be ordered individually via order number: 71404869



Only use the PVC sensor protector for the sensor version without a wiper.



A0037314

11 PVC sensor protector for CUS71D. Dimensions: mm (in)

- 1 CYA112 assembly
- 2 PVC sensor protector
- 3 CUS71D ultrasonic sensor

12.2 Holder

Flexdip CYH112

- Modular holder system for sensors and assemblies in open basins, channels and tanks
- For Flexdip CYA112 water and wastewater assemblies
- Can be affixed anywhere: on the ground, on the capstone, on the wall or directly onto railings.
- Stainless steel version
- Product Configurator on the product page: www.endress.com/cyh112



Technical Information TI00430C

12.3 Cable extension

Memosens data cable CYK11

- Extension cable for digital sensors with Memosens protocol
- Product Configurator on the product page: www.endress.com/cyk11



Technical Information TI00118C

Junction box, cable/cable

- Material: aluminum, painted
- Cable extension: Memosens sensors, Liquiline
- Order number: 71145499

13 Technical data

13.1 Input

13.1.1 Measured values

Interface

13.1.2 Measuring ranges

0.3 to 10 m (1 to 32 ft)

13.2 Performance characteristics

13.2.1 Reference operating conditions

20 °C (68 °F), 1013 hPa

13.2.2 Maximum measured error

± 2 % of end of measuring range

13.2.3 Measured value resolution

± 0.3 % with end of measuring range up to 3 m (9.8 ft)

± 0.15 % with end of measuring range from 3 m (9.8 ft)

13.2.4 Measuring interval

Sensor-internal	Configurable
Sensor to transmitter	12 seconds

13.2.5 Calibration

The sensor is factory-configured when delivered.

13.3 Environment

13.3.1 Storage temperature

-20 to 50 °C (-4 to 120 °F)

13.3.2 Degree of protection

IP 68 (1 m (3.3 ft) water column over 60 days, 1 mol/l KCl)

13.4 Process

13.4.1 Process temperature

1 to 50 °C (34 to 122 °F)

13.4.2 Process pressure

Standard version: 0 to 6 bar (0 to 87 psi)

Version with wiper: 0 to 0.3 bar (0 to 4.4 psi)

13.5 Mechanical construction

13.5.1 Dimensions

→ Section "Installation"

13.5.2 Weight

Standard sensor: 1.02 kg (2.25 lb)

Sensor with wiper: 1.25 kg (2.75 lb)

13.5.3 Materials

Sensor: ABS and epoxy resin

Wiper: EPDM

Housing: Polyamide

13.5.4 Process connections

G1 and NPT ¾"

Index

A

Accessories	25
Approvals	10
Assemblies	25

C

Cable extension	27
Certificates	10
Cleaning	22
Commissioning	20
Cyclic cleaning	21

D

Designated use	5
Diagnostics	21
Dimensions	12
Disposal	24

E

Electrical connection	17
---------------------------------	----

F

Factory settings	20
----------------------------	----

H

Holder	26
------------------	----

I

Incoming acceptance	8
Installation	11
IT security	7

M

Maintenance	22
Measuring principle	8
Measuring system	14
Pendulum holder	16

N

Nameplate	9
---------------------	---

O

Operational safety	7
------------------------------	---

P

Post-connection check	20
---------------------------------	----

Product description	8
Product design	8
Product identification	9
Product safety	7

R

Repairs	23
Return	23

S

Safety instructions	5
Scope of delivery	9
Sensor cleaning	22
Sensor monitoring	20
Spare parts	23
Symbols	4

T

Technical data	27
Troubleshooting	21

W

Warnings	4
Wiper function	21
Wiring	17
Workplace safety	6



71415440

www.addresses.endress.com
