

MATERIALS:

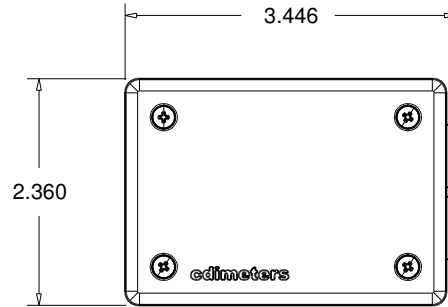
ENCLOSURE

LID - POLYCARBONATE
 BASE - ABS + PC

RINGS - ALUMINUM

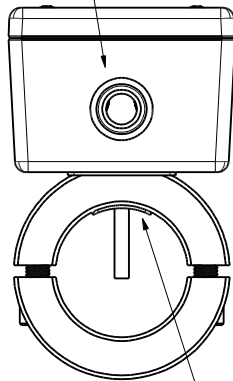
PROBES

POST - TYPE 304 STAINLESS STEEL
 TIP - GOLD PLATED

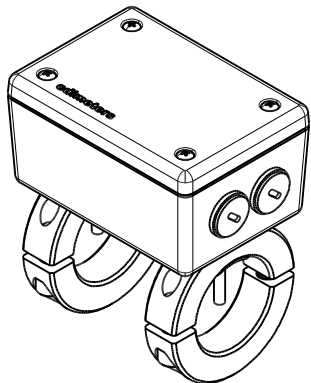
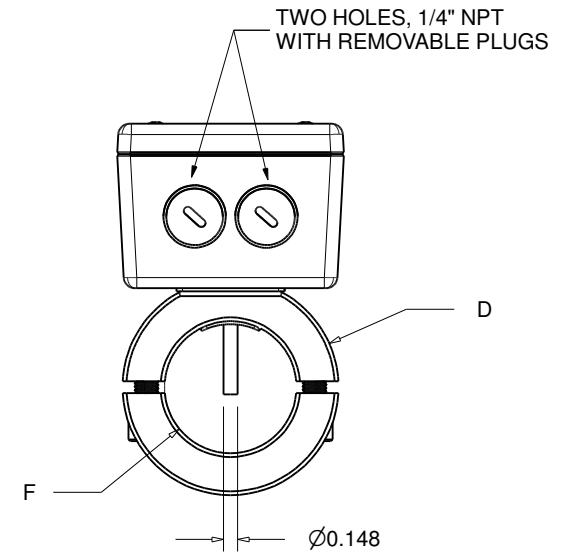
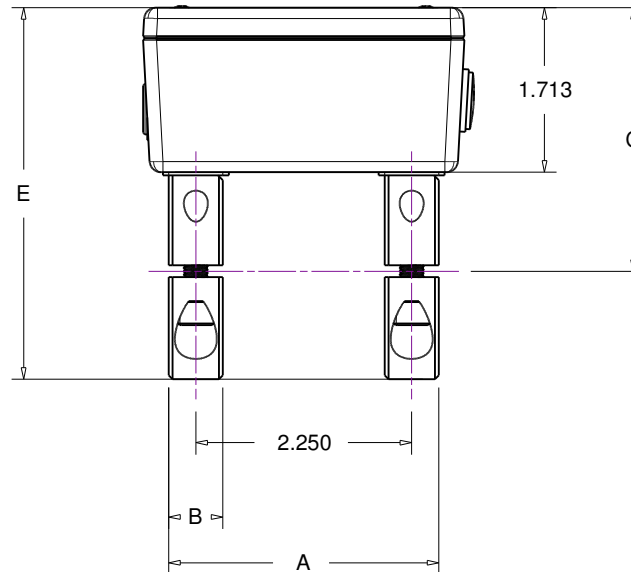


METER SIZE	A	B	C	D	E	F
05S	2.813	0.563	2.464	1.750	3.307	0.875
07T	2.813	0.563	2.464	1.750	3.307	0.813
07C	2.813	0.563	2.588	1.750	3.494	0.938
25M	2.813	0.563	2.588	1.750	3.494	1.063
07S	2.813	0.563	2.588	1.875	3.494	1.125
10C	2.813	0.563	2.682	2.062	3.681	1.188
10S	2.813	0.563	2.776	2.250	3.869	1.375
12T	2.813	0.563	2.776	2.250	3.869	1.270
12C	2.813	0.563	2.776	2.250	3.869	1.438
15T	2.813	0.563	2.838	2.375	3.994	1.563
12S, 15C, 40M	2.938	0.688	2.963	2.625	4.244	1.688
15S	2.938	0.688	3.151	3.000	4.619	1.938

0.330 GROMMET-LINED
 OPENING FOR POWER
 CONNECTION



FKM GASKET



CDI 5200 REV. 3 FLOWMETER
 SHOP DRAWING
 JANUARY 3, 2020
 CDI METERS, INC.