

C1900 and C1300

Circular chart recorders/controllers
Spare parts and upgrade kits

Measurement made easy



Sales



Service



Introduction

This parts list contains:

- exploded diagrams of the C1900 and C1300 circular chart recorders for easy identification of spare parts
- details of product upgrade kits that are designed to add extra features and functionality to the instrument

Replacement parts

C1900

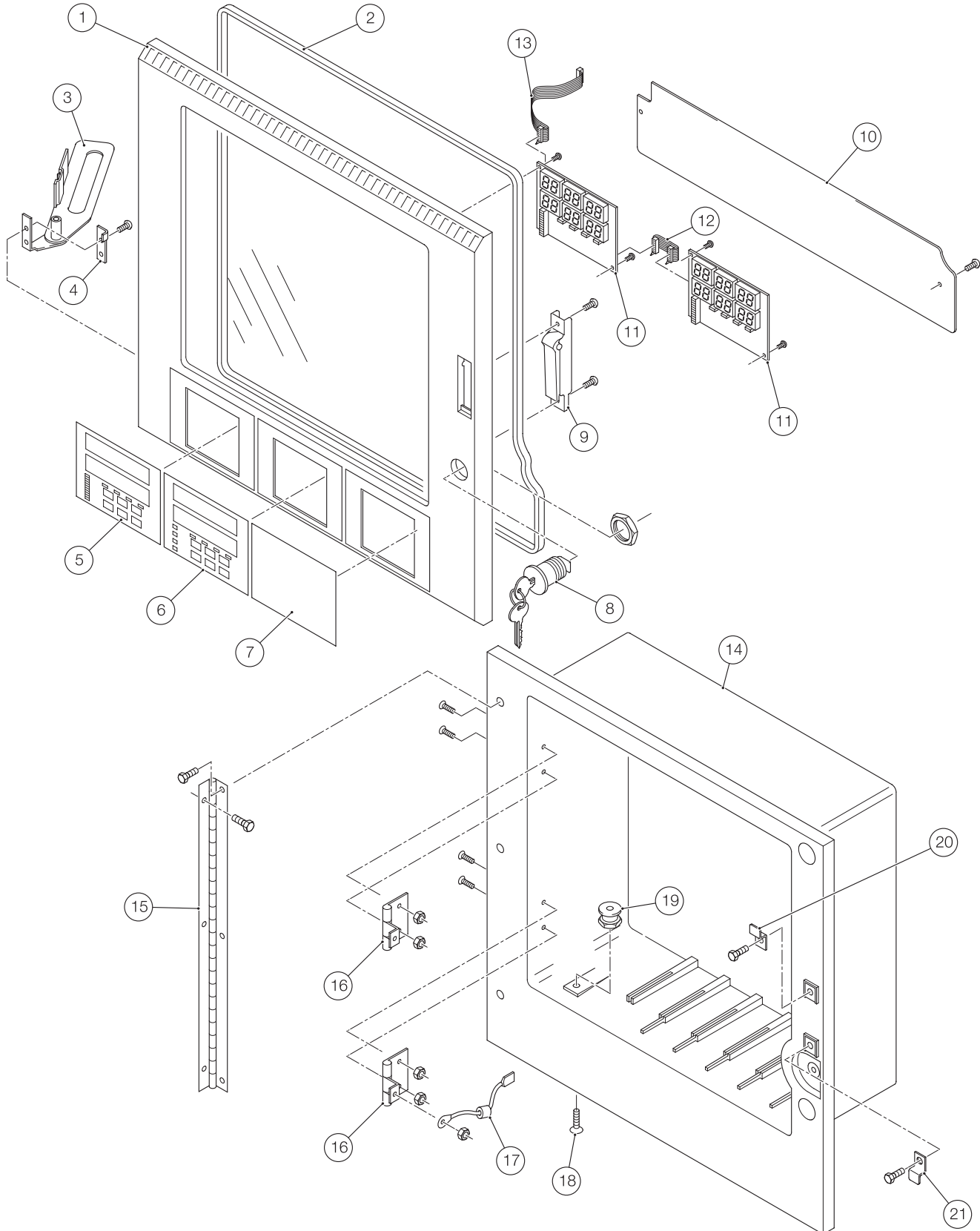


Figure 1 Replacement parts list – case components

Item No.	Description	Part no.
1	Door assembly without lock	C1900/0052
	Door assembly with lock (B12289)	C1900/0051
2	Gasket	C1900/0137
3	Door stay retainer assembly (includes C1900/0238 – door stay support bracket)	C1900/0732
4	Door stay support bracket	C1900/0238
5	Record membrane	C1900/0236
	Control membrane	C1900/0235
	Pasteurizer membrane	C1900/0237
6	Record membrane	C1900/0236
	Control membrane	C1900/0235
	Pasteurizer membrane	C1900/0237
	Retort membrane	C1900/0242
	Blank membrane	C1900/0182
7	Record membrane	C1900/0236
	Retort membrane	C1900/0242
	Pasteurizer membrane	C1900/0237
	Blank membrane	C1900/0182
	Note. When ordering membranes for instruments manufactured before April 2004 also order C1900/0189	
8	Door lock (optional)	B12289
9	Door latch assembly	C1900/0065
10	Face plate shield	C1900/0150
11	Display board assembly	C1900/0734
	Dairy/Retort display board assembly	C1900/0735
12	Ribbon cable assembly	PXR105/0176
13	Ribbon cable assembly	C1900/0053
14	Case assembly	C1900/0101A
15	Door hinge	C1900/0135
16	Chart plate hinge	C1900/0109
17	Earth braid assembly	C1900/0074
18	Door stay screw	B11855
19	Door stay anchor	C1900/0166
20	Latch	C1900/0134
21	Lock latch	C1900/0132

Table 1 Replacement parts list – case components

...Replacement parts

...C1900

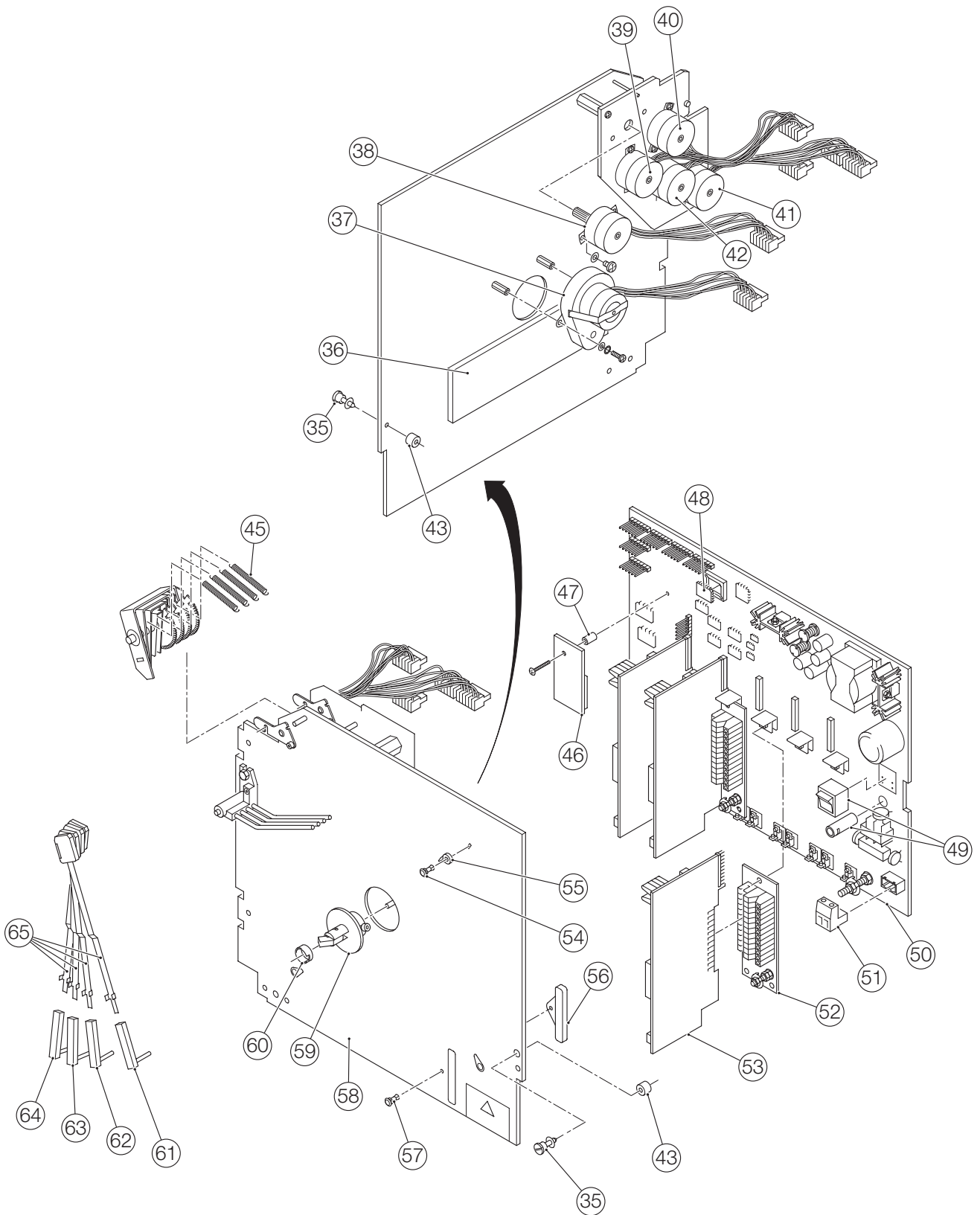


Figure 2 Replacement parts list – internal components

Item No.	Description	Part no.
35	Chart plate screw	C1900/0110
36	Module board support strip	C1900/0193
37	Chart motor assembly	C1900/0073
38	Pen motor assembly	C1900/0070
39	Pen motor assembly	C1900/0070
40	Pen 4 motor assembly	C1900/0071
41	Pen lift motor assembly	C1900/0072
42	Pen motor assembly	C1900/0070
43	Spacer	B12283
45	Spring	C1900/0145
46	Software key (controller basic) Mk 2 mainboard (complete with screw and spacer)	C1900/1330
	Software key (controller totalizer) Mk 2 mainboard (complete with screw and spacer)	C1900/1331
	Software key (controller ramp/soak) Mk 2 mainboard (complete with screw and spacer)	C1900/1332
	Software key (controller math + timer) Mk 2 mainboard (complete with screw and spacer)	C1900/1333
	Software key (controller totalizer, math + timer) Mk 2 mainboard (complete with screw and spacer)	C1900/1334
	Software key (controller totalizer, ramp/soak, math + timer) Mk 2 mainboard (complete with screw and spacer)	C1900/1335
	Software key (recorder totalizer) Mk 2 mainboard (complete with screw and spacer)	C1900/1336
	Software key (recorder math + timer) Mk 2 mainboard (complete with screw and spacer)	C1900/1337
	Software key (recorder totalizer, math + timer) Mk 2 mainboard (complete with screw and spacer)	C1900/1338
	Software key (recorder 1951 dairy) Mk 2 mainboard (complete with screw and spacer)	C1900/1353
	Software key (controller 1952 dairy) Mk 2 mainboard (complete with screw and spacer)	C1900/1354
	Software key (controller 1953 dairy) Mk 2 mainboard (complete with screw and spacer)	C1900/1355
	Software key (controller retort type 'K') Mk 2 mainboard (complete with screw and spacer)	C1900/1356
Software key (controller advanced control type 'L') Mk 2 mainboard (complete with screw and spacer)	C1900/1357	
47	Software key spacer (Mk 2 mainboard only)	B12112
48	EPROM	C1900/2201
49	Safety isolator kit (230 V)	C1900/0710
	Safety isolator kit (115 V)	C1900/0709
50	Mainboard (115/230 V)	C1900/1714
	Mainboard (115/230 V) + fuse and switch	C1900/1714A
	Mainboard non-upgradeable (115/230 V)	C1900/1716
	Mainboard non-upgradeable (115/230 V) + fuse and switch	C1900/1716A
51	Mains plug	B10991
52	Terminal board	C1900/0305
53	Analog I/O module (includes item 52)	C1900/1700
	Digital output module (includes item 52)	C1900/1711
	Digital input module (includes item 52)	C1900/1710
	4-relay module (includes item 52)	C1900/1708
	Serial module (includes item 52)	C1900/1707
	Analog I/P + relay module (includes item 52)	C1900/1709
	Dairy relay module	C1900/0345
54	Snap rivet	B12172
55	Chart clip	C1900/0111
56	Compact Flash cover	C1900/1186
57	Snap rivet	B11192
58	Chart plate (Kent) – excluding pen motors	C1900/0055
	Chart plate (Taylor) – excluding pen motors	C1900/0050
	Chart plate (Chessell) – excluding pen motors	C1900/0058
	Chart plate non-upgradeable (Kent) – excluding pen motors	C1900/0059
	Chart plate non-upgradeable (Taylor) – excluding pen motors	C1900/0054
	Chart plate non-upgradeable (Chessell) – excluding pen motors	C1900/0062
	4-pen Chart plate assembly (Kent)	C1900/0736
	4-pen chart plate assembly (Taylor)	C1900/0737
	4-pen chart plate assembly (Chessell)	C1900/0738
	Single pen chart plate assembly (Kent) (non-upgradeable)	C1900/0739
	Single pen chart plate assembly (Taylor) (non-upgradeable)	C1900/0740
	Single pen chart plate assembly (Chessell) (non-upgradeable)	C1900/0741
	59	Kent chart centre assembly → P105M/0052 + B11527
	Taylor/Chessell chart centre assembly → P105M/0052 + B11527+ C1900/0125	C1900/0067
60	Chart adaptor	C1900/0125
61	Pen capsule (purple) – (supplied in packs of 3)	C1900/0123
	Pen capsule (black) – (supplied in packs of 3)	C1900/0119
	Pen capsule (green) – (supplied in packs of 3)	C1900/0122
	Pen capsule (red) – (supplied in packs of 3)	C1900/0121
	Pen capsule (blue) – (supplied in packs of 3)	C1900/0120
65	Pen arm assembly (Taylor)	C1900/0076
	Pen arm assembly (Kent)	C1900/0075
	Event pen arm assembly (Taylor)	C1900/0078
	Event pen arm assembly (Kent)	C1900/0077

Table 2 Replacement parts list – internal components

...Replacement parts

C1300

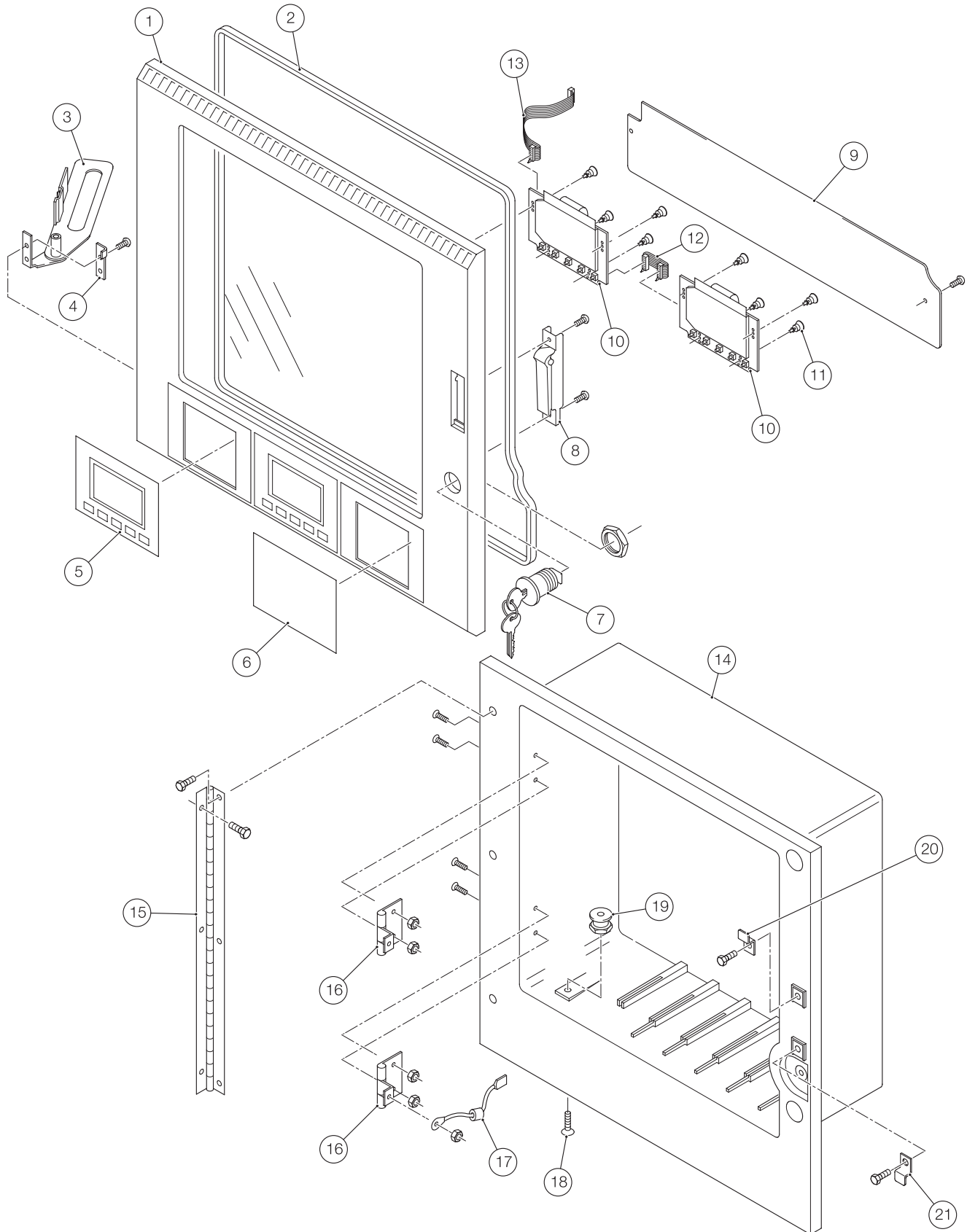


Figure 3 Replacement parts list – case components

Item No.	Description	Part no.
1	Door assembly – dark grey, glass window complete with lock (B12289) and NEMA 4X door gasket (C1900/0137)	C1900/1051
	Door assembly – ABB standard grey, glass window complete with lock (B12289) and NEMA 4X door gasket (C1900/0137)	C1900/1052
	Door assembly – dark grey, polycarbonate window complete with lock (B12289) and NEMA 4X door gasket (C1900/0137)	C1900/1053
	Door assembly – ABB standard grey, polycarbonate window complete with lock (B12289) and NEMA 4X door gasket (C1900/0137)	C1900/1054
	Door assembly – dark grey, glass window complete with lock (B12289) and IP54 door gasket (C1900/0112)	C1900/1055
	Door assembly – ABB standard grey, glass window complete with lock (B12289) and IP54 door gasket (C1900/0112)	C1900/1056
	Door assembly – dark grey, polycarbonate window complete with lock (B12289) and IP54 door gasket (C1900/0112)	C1900/1057
	Door assembly – ABB standard grey, polycarbonate window complete with lock (B12289) and IP54 door gasket (C1900/0112)	C1900/1058
	Door assembly – dark grey, glass window complete with NEMA 4X door gasket (C1900/0137)	C1900/1059
	Door assembly – ABB standard grey, glass window complete with NEMA 4X door gasket (C1900/0137)	C1900/1060
	Door assembly – dark grey, polycarbonate window complete with NEMA 4X door gasket (C1900/0137)	C1900/1061
	Door assembly – ABB standard grey, polycarbonate window complete with NEMA 4X door gasket (C1900/0137)	C1900/1062
	Door assembly – dark grey, glass window complete with IP54 door gasket (C1900/0112)	C1900/1063
	Door assembly – ABB standard grey, glass window complete with IP54 door gasket (C1900/0112)	C1900/1064
	Door assembly – dark grey, polycarbonate window complete with IP54 door gasket (C1900/0112)	C1900/1065
Door assembly – ABB standard grey, glass window complete with IP54 door gasket (C1900/0112)	C1900/1066	
2	Door gasket (IP54)	C1900/1112
	Door gasket (NEMA 4X)	C1900/0137
3	Door stay retainer assembly complete with door stay support bracket (C1900/0238)	C1900/0732
4	Door stay support bracket	C1900/0238
5	Overlay (ABB standard grey)	C1900/1180
	Overlay (dark grey)	C1900/1181
6	Blank overlay (ABB standard grey) (when ordering also include C1900/1110)	C1900/0182
	Blank overlay (dark grey) (when ordering also include C1900/1110)	C1900/1182
7	Door lock (optional)	B12289
8	Door latch (ABB standard grey)	C1900/0065
	Door latch (black)	C1900/1704
9	Face plate shield	C1900/0150
10	Display kit	C1900/1728
11	Snap rivets	B12282
12	Ribbon cable	PXR105/0176
13	Display ribbon cable	C1900/0053
14	Case assembly (ABB standard grey)	C1900/0101A
	Case assembly (dark grey)	C1900/0101B
15	Door hinge	C1900/0135
16	Chart plate hinge	C1900/0109
17	Earth braid assembly	C1900/0074
18	Door stay screw	B11855
19	Door stay anchor	C1900/0166
20	Latch	C1900/0134
21	Lock latch	C1900/0132

Table 3 Replacement parts list – case components

...Replacement parts

...C1300

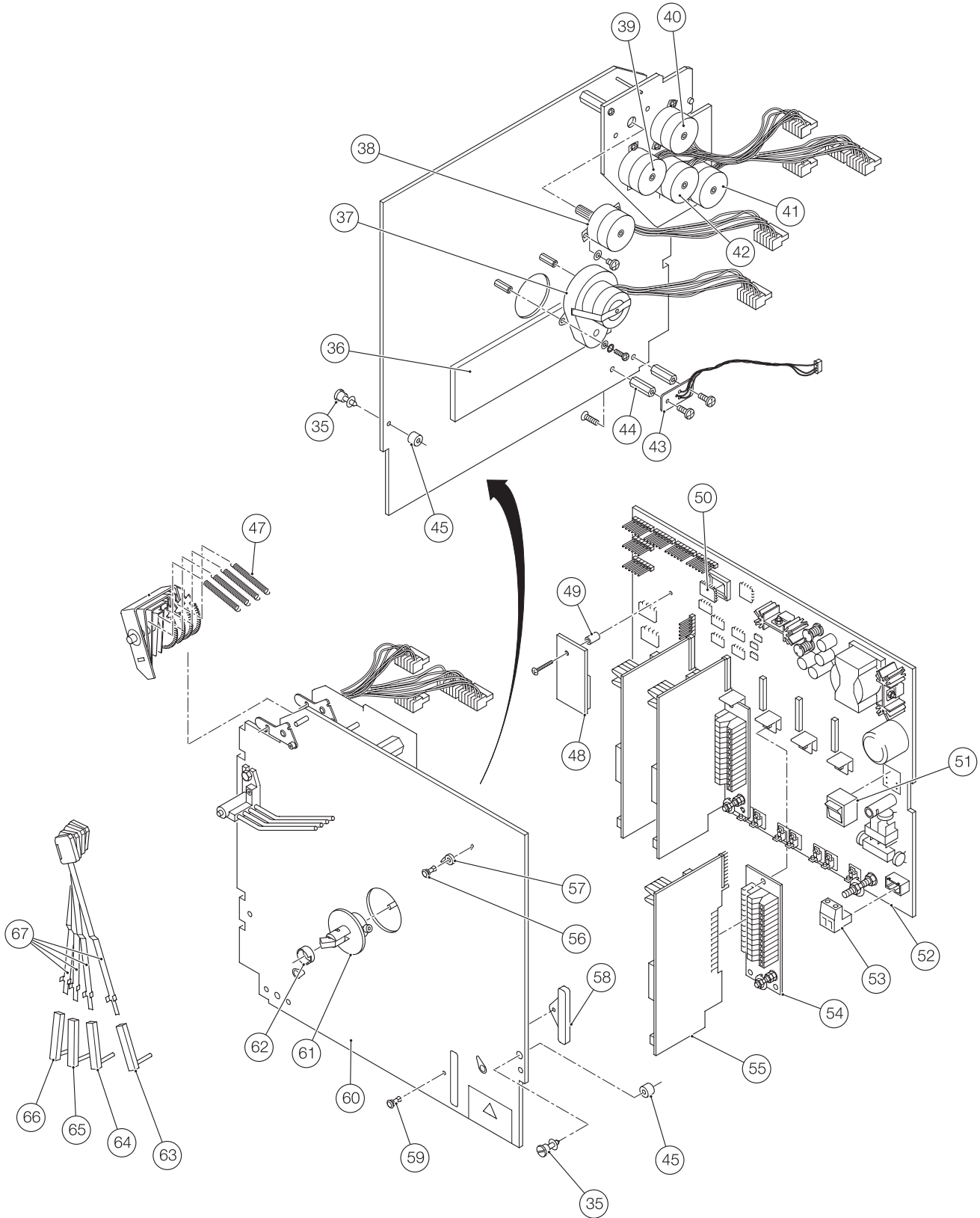


Figure 4 Replacement parts list – internal components

Item No.	Description	Part no.
35	Chart plate screw	C1900/0110
36	Module board support strip	C1900/0193
37	Chart motor	C1900/0073
38	Pen motor	C1900/0070
39	Pen motor	C1900/0070
40	Pen 4 motor	C1900/0071
41	Pen lift motor	C1900/0072
42	Pen motor	C1900/0070
43	Configurator cable	C1900/1070
44	Support pillar	B12111
45	Spacer	B12283
47	Spring	C1900/0145
48	Software key (1 totalizer, math and timer) complete with screw and spacer	C1300/1331
	Software key (2 totalizer, math and timer) complete with screw and spacer	C1300/1332
	Software key (3 totalizer, math and timer) complete with screw and spacer	C1300/1333
	Software key (4 totalizer, math and timer) complete with screw and spacer	C1300/1334
49	Software key spacer	B12112
50	EPROM	C1300/2001
51	Switch option (115 V/230 V)	C1900/0710
52	Mainboard (85 to 265 V)	C1900/1715
	Mainboard (115/230 V) + fuse and switch	C1900/1715A
53	Mains plug	B10991
54	Terminal board assembly	C1900/0305
55	Analog I/O module	C1900/0405
	Digital output module	C1900/0326
	Digital input module	C1900/0325
	4-relay module	C1900/0285
	Serial module	C1900/0295
	Analog I/P + Relay module	C1900/0406
	Compact Flash module	C1900/0435
56	Snap rivet	B12172
57	Chart clip	C1900/0111
58	Compact Flash cover	C1900/1186
59	Snap rivet	B11192
60	Chart plate (Kent) – excluding pen motors	C1900/0055
	Chart plate (Taylor) – excluding pen motors	C1900/0050
	Chart plate (Chessel) – excluding pen motors	C1900/0038
	4-pen chart plate assembly (Kent)	C1900/0736
	4-pen chart plate assembly (Taylor)	C1900/0737
61	4-pen chart plate assembly (Chessel)	C1900/0738
	Kent chart centre assembly (P105M/0052 + B11527)	C1900/0066
	Taylor/Chessel chart centre assembly (P105M/0052 + B11527 + C1900/0125)	C1900/0067
62	Chart adaptor	C1900/0125
63	Pen capsule (purple)	C1900/00123
	Pen capsule (black)	C1900/0119
64	Pen capsule (green)	C1900/0122
65	Pen capsule (red)	C1900/0121
66	Pen capsule (blue)	C1900/0120
67	Pen arm assembly (Taylor)	C1900/0076
	Pen arm assembly (Kent)	C1900/0075
	Event pen arm assembly (Taylor)	C1900/0078
	Event pen arm assembly (Kent)	C1900/0077

Table 4 Replacement parts list – internal components

Upgrade kits

Common

Description	Part no.
Analog I/O module service pack	C1900/1700
Safety isolator kit (Mk 2 mainboard)	C1900/1702
Analog I/O module upgrade kit	C1900/1705
Modbus module upgrade Kit	C1900/1707
Relay module upgrade kit	C1900/1708
Digital input upgrade kit	C1900/1710
Digital output upgrade kit	C1900/1711
Wall mounting kit	C1900/1712
Pipe mounting kit	C1900/1713
Door retainer	C1900/0732
4-pen chart plate assembly (Kent)	C1900/0736
4-pen chart plate assembly (Taylor)	C1900/0737
4-pen chart plate assembly (Chessell)	C1900/0738
Single pen chart plate assembly non-upgradeable (Kent)	C1900/0739
Single pen chart plate assembly non-upgradeable (Taylor)	C1900/0740
Single pen chart plate assembly non-upgradeable (Chessell)	C1900/0741

C1900 only

Description	Part no.
Recorder/Controller upgrade Mk 2 mainboard	C1900/1701
Analog I/P + relay service pack	C1900/1703
Analog input + relay upgrade kit	C1900/1709
Mainboard service pack	C1900/1714
Mainboard service pack + switch and fuse	C1900/1714A
Mainboard (non upgradeable) service pack	C1900/1716
Mainboard (non upgradeable) service pack + switch and fuse	C1900/1716A
Kit 1 – pen 2 or 3 upgrade (Taylor)	C1900/0720
Kit 1 – pen 2 or 3 upgrade (Kent)	C1900/0726
Kit 1A – pen 4 upgrade (Taylor)	C1900/0721
Kit 1A – pen 4 upgrade (Kent)	C1900/0727
Kit 2 – pen 2 or 3 upgrade, recorder overlay (Taylor)	C1900/0722
Kit 2 – pen 2 or 3 upgrade, recorder overlay (Kent)	C1900/0728
Kit 4 – pen upgrade controller overlay (Taylor)	C1900/0725
Kit 4 – pen upgrade controller overlay (Kent)	C1900/0730
Kit 5 – true time event marker (Taylor)	C1900/0708
Kit 5 – true time event marker (Kent)	C1900/0731
Display board spares pack	C1900/0734
Hot product display board spares pack	C1900/0735

C1300 only

Description	Part no.
Mainboard service pack	C1900/1715
Mainboard service pack + switch and fuse	C1900/1715A
Kit 1 – pen 2 upgrade (Taylor)	C1900/1720
Kit 1A – pen 4 upgrade (Taylor)	C1900/1721
Kit 2 – pen 3 upgrade (Taylor)	C1900/1722
Kit 3 – true time event marker (Taylor)	C1900/1723
Kit 1 – pen 2 upgrade (Kent)	C1900/1724
Kit 1A – pen 4 upgrade (Kent)	C1900/1725
Kit 2 – pen 3 upgrade (Kent)	C1900/1726
Kit 3 – true time event marker (Kent)	C1900/1727
Display board assembly	C1900/1728

—

ABB Limited

Measurement & Analytics

Howard Road, St. Neots
Cambridgeshire, PE19 8EU
UK

Tel: +44 (0)1480 475 321

Fax: +44 (0)1480 217 948

Email: instrumentation@gb.abb.com

ABB Inc.

Measurement & Analytics

125 E. County Line Road
Warminster, PA 18974
USA

Tel: +1 215 674 6000

Fax: +1 215 674 7183

abb.com/measurement



—

We reserve the right to make technical changes or modify the contents of this document without prior notice. With regard to purchase orders, the agreed particulars shall prevail. ABB does not accept any responsibility whatsoever for potential errors or possible lack of information in this document.

We reserve all rights in this document and in the subject matter and illustrations contained therein. Any reproduction, disclosure to third parties or utilization of its contents – in whole or in parts – is forbidden without prior written consent of ABB.

©ABB 2019
All rights reserved.