

## Overview

- For corrosive gasses and liquids
- Grade 2A (ASME B40.100)
- Solid front gauge
- Safety through protection of the Bourdon tube against leakages due to overpressure
- Wetted parts: Stainless steel
- Case material: PBT, Fire Retardant, UL94 V0
- Option: Liquid-filled for applications with pulsations or vibrations
- Intelligent filling management requires less damping fluid



Picture similar



## Technical data

### Housing

Nominal size	4.5" (115 mm)
Case material	PBT, Fire Retardant, UL94 V0
Bezel ring material	PBT, Fire Retardant, UL94 V0
Window material	Polymethylmethacrylate (PMMA)
Window gasket	Elastomer
Protection rating (EN 60529)	IP67
Dial	White, Aluminium
Pointer	Black, Aluminium Adjustable micro metric pointer (P ≥ 1.6 bar)
Movement material	Stainless steel, performance tuning with special lubricants, grease and surface treatment
Safety	Solid front gauge with solid front and pressure relief back

### Temperature

Ambient temperature	-4°F ... +158°F
Storage temperature	-40°F ... +158°F
Media temperature	-40°F ... +392°F (not filled)

### Wetted parts

Process connection material	Stainless steel AISI 316L / 1.4404
Bourdon tube	Stainless steel AISI 316L / 1.4404

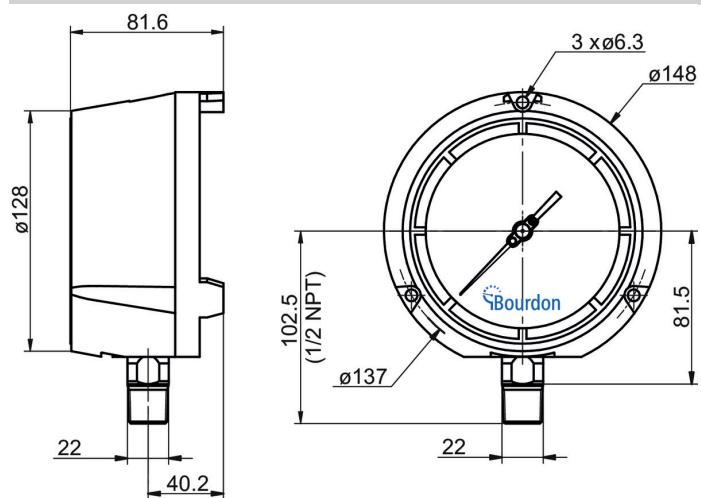
### Performance

Accuracy according to ASME B40.100	Grade 2A, ± 0.5%
Min. measuring range	0 ... 10 psi
Max. measuring range	0 ... 10000 psi
Type of pressure	Gauge Compound Vacuum
Pressure limitation (ranges ≤ 6000 psi)	Steady: 100 % of full scale value Fluctuating: 90 % of full scale value Short time: 130 % of full scale value
Pressure limitation (ranges > 6000 psi)	Steady: 75 % of full scale value Fluctuating: 65 % of full scale value Short time: 100 % of full scale value
Thermal drift (reference: +67 °F)	± 0.4 % FS/10K

### Weight

Gauge	1.9 lbs unfilled 2.7 lbs filled
-------	------------------------------------

## Dimensional drawings (mm)



Type A

## Pressure ranges

Code	Bar	
B58	-0.6 ...	0
B59	-1 ...	0
B72	-1 ...	0.6
B74	-1 ...	1.5
B76	-1 ...	3
B77	-1 ...	5
B79	-1 ...	9
B81	-1 ...	15
B82	-1 ...	24
B12	0 ...	0.6
B15	0 ...	1
B16	0 ...	1.6
B18	0 ...	2.5
B19	0 ...	4
B20	0 ...	6
B22	0 ...	10
B24	0 ...	16
B26	0 ...	25
B27	0 ...	40
B29	0 ...	60
B31	0 ...	100
B33	0 ...	160
B35	0 ...	250
B38	0 ...	400
B39	0 ...	600

Code	kPa	
D58	-60 ...	0
D59	-100 ...	0
D72	-100 ...	60
D74	-100 ...	150
D76	-100 ...	300
D77	-100 ...	500
D79	-100 ...	900
D81	-100 ...	1 500
D82	-100 ...	2 400
D12	0 ...	60
D15	0 ...	100
D16	0 ...	160
D18	0 ...	250
D19	0 ...	400
D20	0 ...	600
D22	0 ...	1 000
D24	0 ...	1 600
D26	0 ...	2 500
D27	0 ...	4 000
D29	0 ...	6 000
D31	0 ...	10 000
D33	0 ...	16 000
D35	0 ...	25 000
D38	0 ...	40 000
D39	0 ...	60 000

Code	kg/cm <sup>2</sup>	
F58	-0.6 ...	0
F59	-1 ...	0
F72	-1 ...	0.6
F74	-1 ...	1.5
F76	-1 ...	3
F77	-1 ...	5
F79	-1 ...	9
F81	-1 ...	15
F82	-1 ...	24
F12	0 ...	0.6
F15	0 ...	1
F16	0 ...	1.6
F18	0 ...	2.5
F19	0 ...	4
F20	0 ...	6
F22	0 ...	10
F24	0 ...	16
F26	0 ...	25
F27	0 ...	40
F29	0 ...	60
F31	0 ...	100
F33	0 ...	160
F35	0 ...	250
F38	0 ...	400
F39	0 ...	600

Code	psi	
H59	-30" Hg ...	0
H73	-30" Hg ...	15
H75	-30" Hg ...	30
H2C	-30" Hg ...	60
H78	-30" Hg ...	100
H79	-30" Hg ...	150
H81	-30" Hg ...	220
H82	-30" Hg ...	300
H13	0 ...	10
H15	0 ...	15
H1C	0 ...	20
H17	0 ...	30
H19	0 ...	60
H21	0 ...	100
H22	0 ...	160
H23	0 ...	200
H25	0 ...	300
H26	0 ...	400
H27	0 ...	600
H30	0 ...	1 000
H31	0 ...	1 500
H34	0 ...	3 000
H38	0 ...	6 000
H40	0 ...	10 000

### Ordering reference

Ordering key - Configuration possibilities see website

	MPG6	-	A	#	#	.	###
<b>Product</b>	MPG6						
<b>Case</b>			A				
<b>Process connection</b>							
1/2 NPT						6	
1/4 NPT						5	
<b>Damping fluid<sup>(1)(2)</sup></b>							
without							0
BH1, Glycerin 86 %							1
BH2, Glycerin 99 %							2
BH3, Silicone oil							3
BH4, Silicone oil (for lower temperatures)							4
BH5, Fluorinated oil							5
<b>Measuring range</b>							
bar (ANSI)							Cxx
kPa (EN)							Dxx
kg/cm <sup>2</sup> (EN)							Fxx
psi (ANSI)							Hxx
bar/psi (EN)							Kxx
psi/bar (ANSI)							Sxx
psi/kPa (ANSI)							Vxx
MPa (EN)							Exx

(1) Pressure ranges x12 and x13 Grade 1A (dry) and B (with filling), not available with filling BH2

(2) Pressure ranges x59 and x15 Grade 1A with filling

### Ordering example

	MPG6	-	A	6	0	.	H22	/
<b>Product</b>	MPG6							
<b>Case</b>			A					
<b>Process connection</b>								
1/2 NPT						6		
<b>Damping fluid</b>								
without							0	
<b>Measuring range</b>								H22
0...160 psi (ANSI)								

### Options

For oxygen applications	0765	3.1 Material certificate	Q003
Restrictor screw 0,5 mm <sup>(1)</sup>	0771	3.1 Calib. cert 5 pts (rising)	Q008
2.1 Certificate	Q001	3.1 Calib. cert 5 pts (EN837)	Q009
2.2 Certificate	Q002	3.1 Calib. cert 10 pts (EN837)	Q010

(1) For fittings > 1/4"