



Main Features

- Simple one-piece design
- All welded
- Full stainless steel
- No internal gaskets

Applications

- Oil & Gas / Chemical
- Water & Waste water
- Energy
- Transportation & Logistics
- Machinery

Description

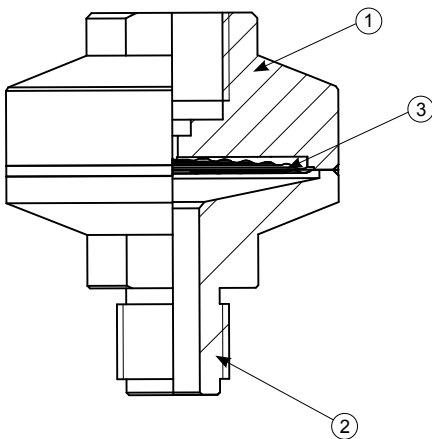
This chemical seals with threaded process connection are used to protect pressure gauges from high temperatures, aggressive, crystallizing or corrosive fluids.

Chemical seals can be mounted to mechanical pressure gauges, switches or transmitters directly or with a flexible capillary. The filling fluid of the measuring system has to be chosen compatible to the application.

The simple, all welded design allows to build very cost effective measuring systems with a high reliability for many different applications.

Pressure ranges	D042	0 ... 15 psi to 0 ... 60 psi
	D043	0 ... 90 psi to 0 ... 1000 psi
	D044	0 ... 1500 psi to 0 ... 6000 psi
Upper part	Stainless Steel 1.4401 (AISI 316)	
Lower part	Stainless Steel 1.4404 (AISI 316L)	
Diaphragm	Stainless Steel 1.4404 (AISI 316L)	
Working temperature	-40...200°C (depending on the filling fluid)	
Instrument connection	See ordering details	
Process connection	See ordering details	

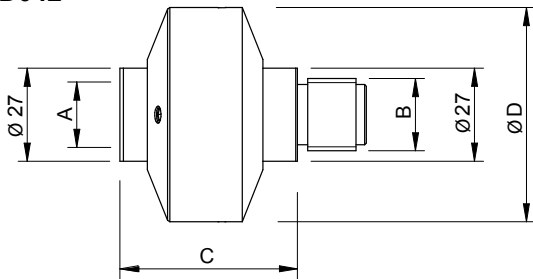
Materials



	N°	D042	D043	D044
Upper part	①	1.4401 (AISI 316)		
Lower part	②	1.4404 (AISI 316L)		
Diaphragm	③	1.4404 (AISI 316L)		

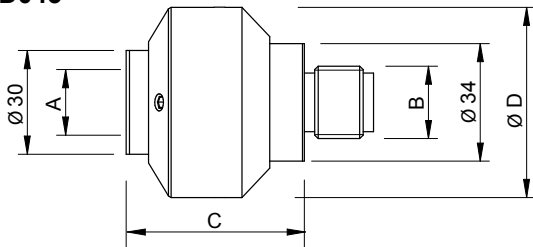
Dimensions - Types of mounting

D042



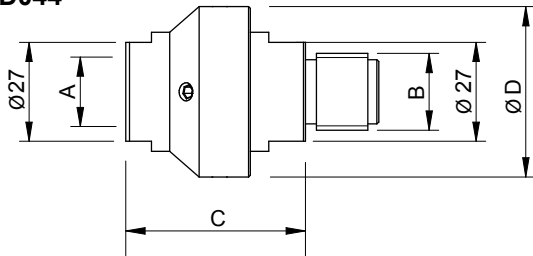
Weight
kg
0.7

D043



Weight
kg
0.6

D044



Weight
kg
0.4

Ordering details D04x

	D04x	-	x	x	xx
Model					
For low pressure	0...15 psi	60 psi	D042		
For medium pressure	0...90 psi	1000 psi	D043		
For high pressure	0...1500 psi	6000 psi	D044		
			-		
Body material					
Stainless Steel 1.4401 / 1.4404 (AISI 316/ 316L)				2	
Instrument connection ²⁾					
¼ NPT					8
½ NPT					N
Process connection ²⁾					
¼ MNPT					05
½ FNPT					0N
½ MNPT					06

¹⁾ Valid for assembly with 100 mm pressure gauges and temperature between -20 and +70°C. For other conditions, the minimum pressure ranges may be different. Please contact Bourdon.

²⁾ Available standard version see dimension tables above. For all other versions please contact Bourdon.