

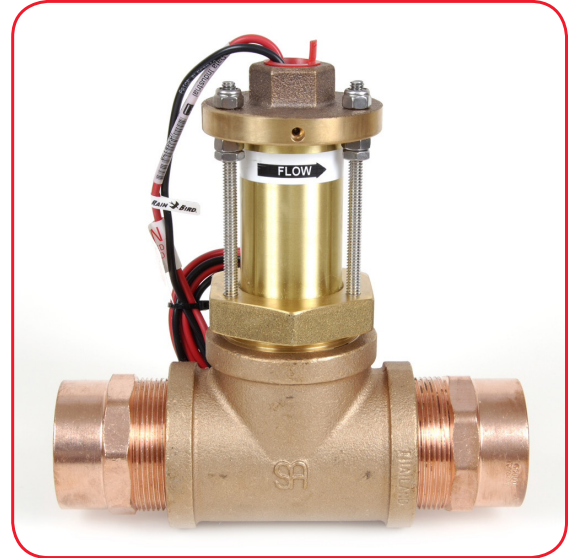
### DESCRIPTION

The Series 228 flow sensors from Badger Meter® feature a six-bladed impeller design with a proprietary non-magnetic sensing mechanism. The forward swept impeller shape provides higher, more consistent torque than four-bladed impeller designs and is less prone to be fouled by water-borne debris. The forward curved shape coupled with the absence of magnetic drag provides improved operation and repeatability, even at lower flow rates. This is especially true where the impeller is exposed to metallic or rust particles found in steel or iron pipes. As the liquid flow turns the impeller, a low impedance square wave signal is transmitted with a frequency proportional to the flow rate. The signal can travel up to 2000 feet between the flow sensor and the display unit without the need for amplification.

All sensors, except irrigation versions, are supplied with 20 feet of 2-conductor 20 AWG shielded UL type PTLC 221° F (105° C) cable.

### MATERIALS

The 228BR tee-mounted flow sensor consists of a standard 220BR sensor mounted in a 2 inch or 2.5 inch bronze tee.



### SPECIFICATIONS

<b>Wetted Materials (except tees)</b>	See "Part Number Construction" on page 4	
<b>Sensor Sleeve and Hex Adapter</b>	<i>Sleeve</i>	Admiralty brass, UNS C44300
	<i>Hex Adapter</i>	Lead-free brass, C89833
<b>Tee for 228BR</b>	Cast bronze, Class 125 per ASME B16.15	
<b>Temperature Ratings</b>	<i>Standard Version</i>	221° F (105° C) continuous service
	<i>Irrigation Version</i>	150° F (66° C) continuous service
<b>Pressure Ratings</b>	<b>Temperature (F)</b>	<b>Pressure (psi)</b>
	-20...150	200
	200	190
	250	180
<b>Recommended Design Flow Range</b>	0.5...30 ft/sec	
<b>Accuracy</b>	±1.0% of full scale over recommended design flow range	
<b>Repeatability</b>	±0.3% of full scale over recommended design flow range	
<b>Linearity</b>	±0.2% of full scale over recommended design flow range	
<b>Transducer Excitation</b>	Supply voltage = 8V DC min. 35V DC max.	
	Quiescent current = 600 uA (typical)	
	OFF State ( $V_{High}$ ) = Supply voltage - (600 $\mu$ × Supply impedance)	
	ON State ( $V_{Low}$ ) = 1.2V DC @ 40 mA (15 $\Omega$ + 0.7V DC)	
<b>Electrical Cable for Standard Sensor Electronics</b>	20 ft (6 m) of 2-conductor 20 AWG shielded UL type PTLC wire provided for connection to display or analog transmitter unit. Rated to 221° F (105° C). May be extended to a maximum of 2000 ft (610 m) with similar cable and insulation appropriate for application.	
<b>Electrical Cable for IR Sensor Electronics</b>	48 in. (122 cm) of UL Style 116666 copper solid AWG 18 wire with direct burial insulation. Rated to 221° F (105° C).	

## DIMENSIONS

### Standard Sensor

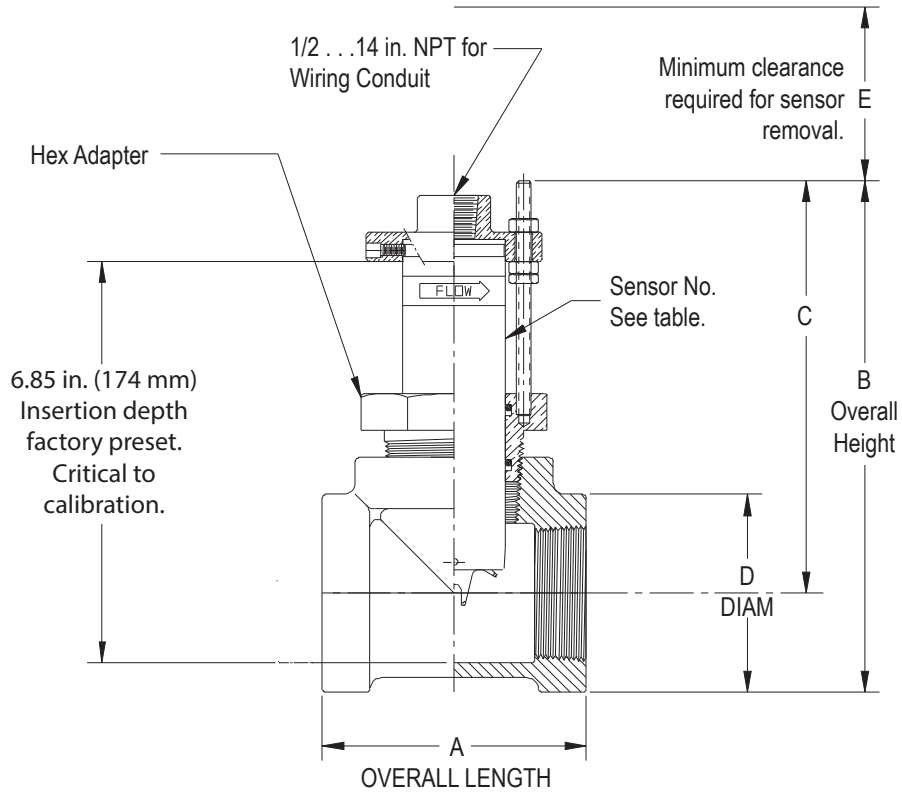


Figure 1: Standard 228BR flow sensor

	Series No. Complete	Tee No.	NPT Threads per inch	A	B *	C *	D	E
228BR	228BR-2	71879T	2...11.5	4.25 in. (107.95 mm)	8.21 in. (208.53 mm)	6.75 in. (171.45 mm)	2.92 in. (74.17 mm)	6 in. (152.40 mm)
	228BR-2.5	71883T	2.5...8	4.81 in. (122.17 mm)	9.00 in. (228.60 mm)	7.25 in. (184.15 mm)	3.49 in. (88.65 mm)	6 in. (152.40 mm)

\* Dimensions (B, C) may vary  $\pm 0.25$  in., depending on the makeup of the pipe threads.

High Temperature Sensor

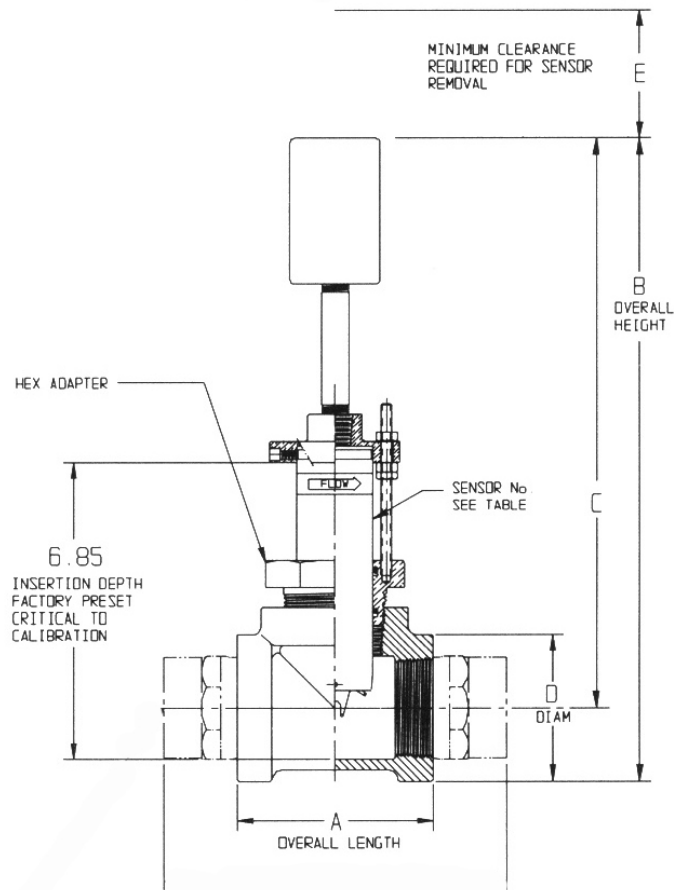


Figure 2: High temperature 228BR flow sensor

	Series No. Complete	Tee No.	NPT Threads per inch	A	B *	C *	D	E
228BR	228BR-2	71879T	2...11.5	4.25 in. (107.95 mm)	17.96 in. (456.18 mm)	16.50 in. (419.10 mm)	2.92 in. (74.17 mm)	6 in. (152.40 mm)
	228BR-2.5	71883T	2.5...8	4.81 in. (122.17 mm)	18.12 in. (460.25 mm)	16.37 in. (415.80 mm)	3.49 in. (88.65 mm)	6 in. (152.40 mm)

\* Dimensions (B, C) may vary ±0.25 in., depending on the makeup of the pipe threads.

## PART NUMBER CONSTRUCTION

### Standard Sensor

Example: 2	28	BR	20	0	5	-	1	2	1	1
<b>STYLE</b>										
Tee Mounted Insert Sensor	28									
<b>MATERIAL</b>										
Brass (2" and 2.5" Only)		BR								
<b>SIZE</b>										
2"			20							
2.5"			25							
<b>ELECTRONICS HOUSING</b>										
PPS				0						
<b>ELECTRONICS</b>										
Standard Flow (STANDARD)					5					
IR-Irrigation					6					
<b>O-RING</b>										
Viton®							0			
EPDM (STANDARD)							1			
Buna N							8			
<b>SHAFT</b>										
Zirconia Ceramic									0	
Tungsten Carbide (STANDARD)									2	
316 Stainless Steel									6	
<b>IMPELLER</b>										
Nylon (STANDARD)										1
Tefzel®										2
<b>BEARING</b>										
UHMWPE (STANDARD)										1
Tefzel®										2
Teflon®										3

### High Temperature Sensor

Example: 2	28	BR	20	4	8	-	0	2	2	3
<b>STYLE</b>										
Tee Mounted Insert Sensor	28									
<b>MATERIAL</b>										
Brass (2" and 2.5" Only)		BR								
<b>SIZE</b>										
2"			20							
2.5"			25							
<b>ELECTRONICS HOUSING</b>										
PEEK				4						
<b>ELECTRONICS</b>										
High Temperature					8					
<b>O-RING</b>										
Viton®							0			
<b>SHAFT</b>										
Tungsten Carbide									2	
<b>IMPELLER</b>										
Tefzel®										2
<b>BEARING</b>										
Teflon®										3

## Control. Manage. Optimize.

Data Industrial is a registered trademark of Badger Meter, Inc. Other trademarks appearing in this document are the property of their respective entities. Due to continuous research, product improvements and enhancements, Badger Meter reserves the right to change product or system specifications without notice, except to the extent an outstanding contractual obligation exists. © 2020 Badger Meter, Inc. All rights reserved.

## www.badgermeter.com

The Americas | Badger Meter | 4545 West Brown Deer Rd | PO Box 245036 | Milwaukee, WI 53224-9536 | 800-876-3837 | 414-355-0400  
 México | Badger Meter de las Americas, S.A. de C.V. | Pedro Luis Ogazón N°32 | Esq. Angelina N°24 | Colonia Guadalupe Inn | CP 01050 | México, DF | México | +52-55-5662-0882  
 Europe, Middle East and Africa | Badger Meter Europa GmbH | Nurtlinger Str 76 | 72639 Neuffen | Germany | +49-7025-9208-0  
 Europe, Middle East Branch Office | Badger Meter Europe | PO Box 341442 | Dubai Silicon Oasis, Head Quarter Building, Wing C, Office #C209 | Dubai / UAE | +971-4-371 2503  
 Asia Pacific | Badger Meter | 80 Marine Parade Rd | 19-07 Parkway Parade | Singapore 449269 | +65-63464836  
 Switzerland | Badger Meter Swiss AG | Mittelholzerstrasse 8 | 3006 Bern | Switzerland | +41-31-932 01 11