

## A-Series Miniature Explosion Proof Pressure Switches

### FEATURES

- Compact size
- 316 stainless steel construction
- Pressure ranges from vacuum to 15,000 psi
- Field adjustable setpoint or factory set only
- Wide operating temperature range (-40° to 89°C) max.
- Hermetically sealed micro-switch
- Precision snap-acting micro switch element
- SPDT or DPDT switching
- CSA listed
- UL listed
- FM approved
- ATEX & IECEx
- SIL 3 capable
- CRN
- Dual seal rated
- CE and ROHS compliant



### SPECIFICATIONS

Setpoint:	Factory set or field adjustable
Setpoint repeatability:	±2% of range (Additional setpoint shift of ±2% of range per 40°F from initial setpoint set at 70°F typical)
Vibration:	Passed MIL-STD-202G
Shock:	75G's 10 milliseconds 3 axis
Piston:	Stainless steel w/Viton or Buna-N O-ring
Mechanical life piston design:	>1,000,000 operations typical
Diaphragm:	316L Stainless steel
Mechanical life diaphragm design:	>400,000 operations typical
Enclosure material:	316L Stainless steel
Enclosure rating:	NEMA 4X, 7, 9, IP 67
Pressure Connection:	1/8" NPTF, 1/4" NPTF, 1/4" NPTM, 1/2" MNPT, 1/2" FNPT, 7/16"-20 SAE M, VCR, VCO, 3/4" Tri-Clamp®, 1.5" Tri-Clover®, 2.0" Tri-Clover G 1/4" B, G 1/4" A Type E Stub end
Electrical output:	SPDT, or DPDT 5A or 3A 120VAC, 2A @ 30 VDC, 5A @ 28 VAC, gold contacts available
Electrical termination:	18 AWG wire leads, with 1/2" NPT male conduit connection, 18 AWG wire leads, with M20 x 1.5 male conduit connection
Approvals:	CRN: OF 14836.5C, CSA: 2454057 (LR55528), UL: E38812, CE, ROHS



- High performance
- Small size
- Good for hazardous and corrosive applications
- Easily configurable to meet your application requirements
- SIL 3 capable

# Data Sheet

## A-Series Miniature Explosion Proof Pressure Switches

### CHARACTERISTICS AND RATINGS

A SERIES SWITCH PERFORMANCE CHARACTERISTICS												
	RANGE			SETPOINT REPEATABILITY			SETPOINT ADJUSTABILITY			DEADBAND (DB)		
	psi	bar kg/cm <sup>2</sup>	kPa	psi	bar, kg/cm <sup>2</sup>	kPa	psi	bar, kg/cm <sup>2</sup>	kpa	psi	bar, kg/cm <sup>2</sup>	kPa
DIAPHRAGM	-15/15	-1/1	-100/100	±0.6	±.04	±4	-15/15	-1/1	-100/100	1-5	.07-.35	7-35
	30	2	200	±0.6	±.04	±4	6-30	.4-2	6-200	1-5	.07-.35	7-35
	60	4	400	±1.2	±.08	±8	8-60	.6-4	60-400	2-10	.14-.70	14-70
	100	7	700	±2	±.14	±14	10-100	.7-7	70-700	3-15	.2-1.0	20-100
	200	14	1400	±4	±.28	±28	20-200	1.4-1.4	140-1400	3-30	.2-2.0	20-200
PISTON	100	7	700	±2	±.14	±14	20-100	1.4-7	140-700	3-15	.2-1.0	20-100
	200	14	1400	±4	±.28	±28	40-200	2.8-1.4	280-1400	3-30	.2-2.0	20-200
	500	35	3500	±10	±.70	±70	50-500	3.5-35	350-3500	20-100	1.4-7.0	140-700
	1000	70	7000	±20	±1.40	±140	100-1000	7-70	700-7000	25-150	1.7-10	170-1000
	2000	140	14000	±40	±2.8	±280	200-2000	14-140	1400-1400	30-300	2-20	200-2000
	5000	350	35000	±100	±7.0	±700	500-5000	35-350	3500-35000	75-750	5-50	500-5000
	7500	500	50000	±150	±10	±1000	750-7500	50-500	5000-50000	110-1100	7.5-75	750-7500
	10000	700	70000	±200	±14.0	±1400	1000-10000	70-700	7000-70000	250-2500	17-170	1700-17000
	15000	1000	100000	±300	±20	±2000	1500-15000	100-1000	10000-100000	300-3000	20-200	2000-20000

ELECTRIC	
Switch Code	Electric on Label
1P	3A 125Vac; 2A, 30Vdc
1H, 2H	5A 125/250Vac; 5A, 28Vdc
1G	0.1A 125Vac; 0.1A 30Vdc
1L, 2L	1A 125Vac; 1A 28Vdc

MATERIAL AND TEMPERATURE RATINGS (based on mat'l and switch code)							
Switch CODE	with MAT'L CODE	MATERIAL	TEMP. MIN	T5 Ta MAX	T5 Tp MAX	T6 Ta MAX	T6 Tp MAX
1H, 2H, 1L, 2L	S	316 ST.SL.	-40°C	89°C	89°C	74°C	74°C
1H, 2H, 1L, 2L	B (Ranges 500-7500#)	316 SS, BUNA	-40°C	89°C	89°C	74°C	74°C
1H, 2H, 1L, 2L	B (Ranges 100, 200, 10k, 15k)	316 SS, BUNA	-20°C	89°C	89°C	74°C	74°C
1H, 2H, 1L, 2L	V	316 SS, VITON	-20°C	89°C	89°C	74°C	74°C
1H, 2H, 1L, 2L	N (Ranges 500-7500#)	316 SS, HNBR	-40°C	89°C	89°C	74°C	74°C
1H, 2H, 1L, 2L	N (Ranges 10k, 15k)	316 SS, HNBR	-20°C	89°C	89°C	74°C	74°C
1P, 1G	S	316 ST.SL.	-20°C	74°C	74°C	74°C	74°C
1P, 1G	B	316 SS, BUNA	-20°C	74°C	74°C	74°C	74°C
1P, 1G	V	316 SS, VITON	-20°C	74°C	74°C	74°C	74°C
1P, 1G	N	316 SS, HNBR	-20°C	74°C	74°C	74°C	74°C

CONFIGURATION		MAX. WORKING PRESSURE "MWP"			PROOF PRESSURE "PROOF"			BURST PRESSURE		
RANGES (psi)	w/SEAL	psi	bar, kg/cm <sup>2</sup>	kPa	psi	bar kg/cm <sup>2</sup>	kPa	psi	bar, kg/cm <sup>2</sup>	kPa
up to 200	S	800	55	5500	1000	70	7000	>9500	>655	>65500
100-200	B, V or N	2000	140	14000	2000	140	14000	>10000	>700	>70000
500-2000	B, V or N	5000	350	35000	8000	550	55000	>30000	>2100	>210000
5000-7500	B, V or N	10000	700	70000	15000	1000	100000	>50000	>3500	>350000
10000-15000	B, V or N	15000	1000	100000	20000	1400	140000	>45000	>31000	>310000

OPTIONS	
Code	Description
XC4	Individual certified calibration chart
XFP	Fungus proofing
XMQ	Positive Material Identification (75, 15 & 20 process conn. only)
XNC	2 wire leads w/ground wire – wired for normally closed operation
XNO	2 wire leads w/ground wire – wired for normally open operation
XNH	Stainless Steel tag
XNN	Paper tag
X6B	Cleaned for oxygen service

PRESSURE RANGE				
Actuator	psi	Bar	kPa	Kg/cm <sup>2</sup>
S	-15/15#	-1/1BR	-100/100KP	-1/1KSC
S	30#	2BR	200KP	2KSC
S	60#	4BR	400KP	4KSC
B, S, V	100#	7BR	700KP	7KSC
B, S, V	200#	14BR	1400KP	14KSC
B, V	500#	35BR	3500KP	35KSC
B, V	1000#	70BR	7000KP	70KSC
B, V	2000#	140BR	14000KP	140KSC
B, V	5000#	350BR	35000KP	350KSC
B, V	7500#	500BR	50000KP	500KSC
B, V	10000#	690BR	70000KP	700KSC
B, V	15000#	1000BR	100000KP	1000KSC

# Data Sheet

## A-Series Miniature Explosion Proof Pressure Switches

### ORDERING CODE

Example: **APS N7 1H 012C S 02 30# - 15 R - X6B**

#### Function

<b>APS</b>	Pressure switch, single setpoint, fixed deadband, factory set, not field adjustable
<b>APA</b>	Pressure switch, single setpoint, fixed deadband, field adjustable

#### Enclosure (Body)

**N7** Explosion Proof 316 SS body

#### Micro Switch, First Character

<b>1</b>	Single Switch – SPDT
<b>2</b>	Dual Switch – DPDT (not available with “S” actuator or P&G micro switch)

#### Micro Switch, Second Character

<b>G</b>	Gold Contact –	0.1 A @ 125 Vac, 0.1 A @ 30 Vdc
<b>H</b>	Higher Current –	5A @ 125/250 Vac, 5A @ 28 Vdc resistive, 3A @ 28 Vdc inductive.
<b>L</b>	Higher Current Gold Contacts –	1A @125 Vac, 1A @ 28 Vdc resistive, 0.5A @ 28 Vdc Inductive
<b>P</b>	General Purpose –	3A @ 125 Vac, 2A @ 30 Vdc

#### Electrical Connection

--**C** ½ NPT male conduit connection with 18 AWG wires  
--**G** M20 x 1.5 male conduit connection with 18 AWG wire

**NOTE:** --- (e.g. 012C = 12” lead wires. Specify wire length in inches.)

#### Actuator Seal (see page six for more information)

<b>B</b>	316 SS piston & Buna O-ring, ranges ≥100 psi
<b>V</b>	316 SS piston & Viton O-ring, ranges ≥100 psi
<b>S</b>	316 SS welded Diaphragm, ranges ≤200 psi
<b>N</b>	316 SS piston & HNBR O-ring, ranges ≥100 psi

#### Pressure Connection

<b>01</b>	1/8 NPT Male
<b>02</b>	1/4 NPT Male
<b>03</b>	1/8 NPT Female (Available with “S” actuator only)
<b>04</b>	1/2 NPT Male
<b>50</b>	1/2 NPT Female
<b>12</b>	G 1/4 A (Type E Stud End)
<b>13</b>	G 1/4 B
<b>25</b>	1/4 NPT Female (Available with “S” actuator only)
<b>05</b>	7/16-20 SAE Male
<b>06</b>	VCR Fixed (Available with “S” actuator only)
<b>07</b>	VCO Fixed (Available with “S” actuator only)
<b>08</b>	7/16-20 SAE Female
<b>46</b>	9/16-18 SAE Female
<b>76</b>	7/16-20 SAE w/37° Flare End
<b>75</b>	0.75” Tri-Clamp® connection (Range ≤ 500 psi)‡
<b>15</b>	1.5” Tri-Clover® connection (includes 3A Approval) (Range ≤ 500 psi)†
<b>20</b>	2.0” Tri-Clover® connection (includes 3A Approval) (Range ≤ 500 psi)†

#### Ranges

Select from table page 2

#### Setpoint

5 characters maximum representing setpoint of the switch in the same units as the range of the switch. For setpoints in Vacuum specify as “-”pressure. If no setpoint is required on an APA switch use either “NSR” or “NSD.” If direction is not known use “NSR” as the default.

#### Setpoint Direction

<b>R</b>	Rising Pressure (Increasing Pressure, Decreasing Vacuum)
<b>D</b>	Decreasing Pressure, (Increasing Vacuum)

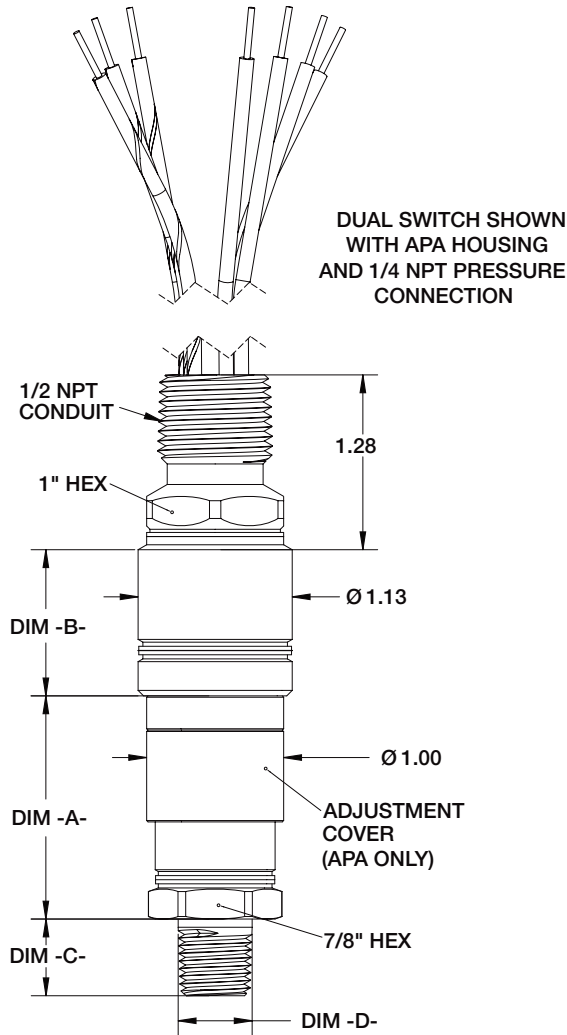
#### Options

Select from table page 2

† Tri-Clover is a registered trademark of Alfa Laval  
‡ Tri-Clamp is a registered trademark of Ladish Co.

## A-Series Miniature Explosion Proof Pressure Switches

### DIMENSIONS



FUNCTION CODE	
Description	Dim. A
APS (Factory Set)	1.06
APA (Field Adjustable)	1.64

MICRO SWITCH	
Description	Dim. B
1H, 2H, 1L, 2L	1.03
1P, 1G	0.90

PRESSURE CONNECTION GENERAL DIMENSION			
Code	Description	Dim. C	Dim. D
01	1/8 NPT Male	0.45	0.44
02	1/4 NPT Female	0.56	0.54
03	1/8 NPT Female	0.75	0.65
04	1/2 NPT Male	0.92	0.75
25	1/4 NPT Female	1.10	0.75
50	1/2 NPT Female	1.25	1.04
05	7/16-20 SAE Male	0.56	0.44
08	7/16-20 SAE Female	1.10	0.84
06	VCR Fixed	0.58	0.56
07	VCO Fixed	0.47	0.56
12	G 1/4A	0.47	0.44
13	G 1/4B	0.59	0.37
46	9/16-18 SAE Female	0.39	0.47
76	7/16-20 SAE w/37° Flare End	0.55	0.36
75	0.75" Tri-Clamp Seal	1.10	0.96
15	1.5" Tri-Clover Seal	1.23	1.99
20	2.0" Tri-Clover Seal	1.23	2.49



CRN: OF 14836.5C,



CSA: 2454057 (LR55528)



UL: E38812



CE



ROHS

SIL 3 CAPABLE LOOK FOR THESE MARKS ON OUR PRODUCTS

## Data Sheet

# A-Series Miniature Explosion Proof Pressure Switches

### AVAILABLE CONNECTIONS

#### PRESSURE CONNECTIONS

1/8, 1/4 or 1/2 MALE NPT



1/8 or 1/4 FEMALE NPT,  
7/16-20 SAE FEMALE



VCR or VCO



7/16-20 SAE MALE (OPTIONAL  
37° FLARE END)



3/4", 1.5" or 2.0" SANITARY



G 1/4 A TYPE-E STUD END



1/2 FEMALE NPT

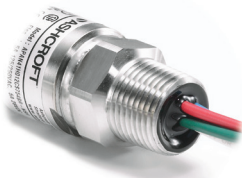


G 1/4 B



#### ELECTRICAL CONNECTIONS

1/2 NPT CONDUIT CONNECTOR  
WITH 18 AWG WIRE LEADS



M20 X 1.5 MALE CONDUIT WITH  
18 AWG WIRES

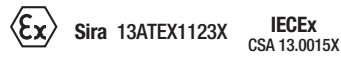


#### APPROVALS:



CLASS I DIV 1 GROUPS A, B, C, & D  
CLASS II DIV 1 GROUPS E, F, & G

T5 or T6 – see Material and Temperature Range Table



II 2GD  
Ex d IIC T6/T5 Gb  
Ex tb IIIC T85°C/100°C Db  
T5 or T6 – see Material and Temperature Range Table

#### Dual Seal

The A-series explosion proof pressure switch is designed to meet the requirements of ANSI/ISA-12.27.01-2003 for process sealing between electrical systems and flammable or combustible material.

Tri-Clover is a registered trademark of Alfa Laval

Tri-Clamp is a registered trademark of Ladish Co.

## A-Series Miniature Explosion Proof Pressure Switches

### SELECTION GUIDE

Before selecting a switch the following should be considered:

#### Actuator:

The actuator responds to changes in pressure and operates the micro switch element in response to these changes. The actuator is normally exposed to the process media and must be chemically compatible with it. There are three types of actuators available for the A-Series switches – all welded 316 SS diaphragm sealed piston; 316 SS piston with Viton O-ring seal; and 316 SS piston with Buna-N O-ring seal. The 316 SS diaphragm is available in ranges from -15/15 psi to 200 psi. The 316 SS piston is available in ranges from 100 psi to 15,000 psi. Switches offered in 100 psi and 200 psi can be ordered with either the piston or diaphragm design. The piston design will have a longer mechanical life, while the diaphragm design has a better operating temperature.

The piston design is more reliable than a diaphragm design when subjected to frequent large pressure excursions, pressure surges and spikes associated with typical hydraulic applications. Piston designs are typically used when the switch is used as low pressure alarm or cutoff where the normal working pressure is above the nominal range of the switch.

#### The Switching Function:

Most applications for alarm, shutdown and interlock are satisfied by the standard A-Series switches which feature single setpoint fixed deadband. For pump, compressor and other control applications, the dead-band becomes a very important consideration and may require increasing the range of the switch to increase the deadband. Please consult your Ashcroft representative for assistance with special applications.

#### The Micro Switch Element:

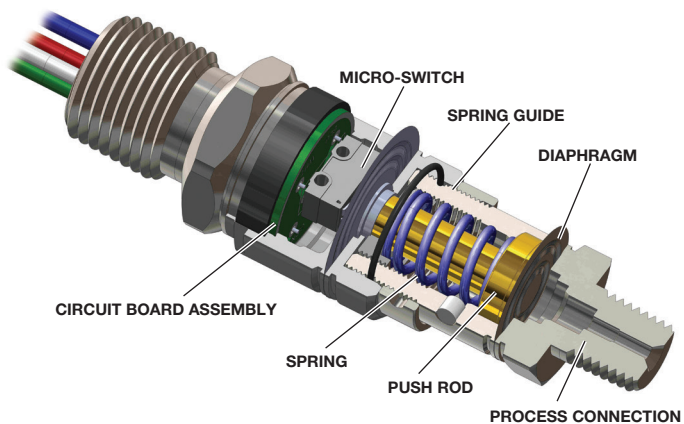
The micro switch element must be chosen to meet the electrical load requirement to be switched. The switches are offered as either SPDT (single pole double throw) or DPDT (double pole double throw). The DPDT switch is made up of two SPDT switches which are adjusted to work together by Ashcroft's patent pending Circuit Board Rotation Design. DPDT switching is not available on diaphragm designs below 100 psi, with Spade terminals or the Micro DIN connector.

#### Understanding Setpoints and Reset Points:

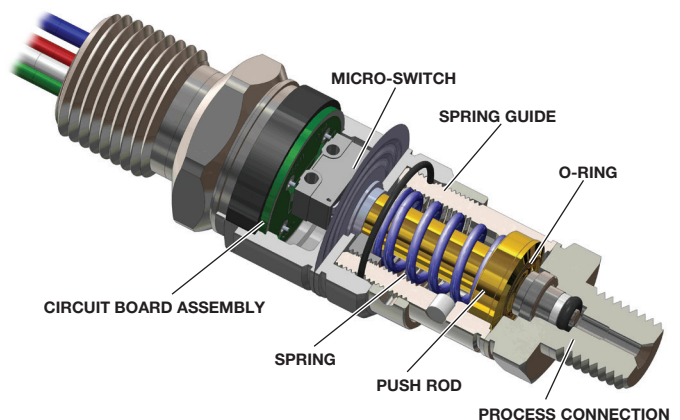
Pressure switches can be set to switch on either increasing (rising) or decreasing pressures. Since the switches have both Normally Open (NO) contacts and Normally Closed (NC) contacts you can wire the switch to open or close for either an increasing or decreasing pressure. To be consistent in setting the switches Ashcroft defines the setpoints as follows. For an increasing setpoint, the pressure is increased from 0 psi to the set point and then decreased to the reset point. For a decreasing setpoint, the pressure is increased to full range and then decreased to the setpoint and then increased to the resetpoint.

#### Custom Applications:

The A-series switch is designed to allow custom process connections and electrical terminations. Please consult your Ashcroft representative for assistance with custom applications.



*Cutaway view of switch assembly with welded SS diaphragm*



*Cutaway view of switch assembly with SS piston*

## A-Series Miniature Explosion Proof Pressure Switches

### ADDITIONAL SWITCH TERMINOLOGY

**Accuracy** – (See repeatability) Accuracy normally refers to conformity of an indicated value to an accepted standard value. There is no indication in switch products; thus, instead, the term repeatability is used as the key performance measure. Ashcroft A-Series switch accuracy is 2% of nominal range.

**Automatic Reset Switch** – Switch which returns to normal state when actuating variable Pressure is reduced.

**Adjustable or Operating Range** – That part of the nominal range over which the switch setpoint may be adjusted. Normally about 10% to 100% of the nominal range for A-Series pressure switches.

**Burst Pressure** – The maximum pressure that may be applied to a pressure switch without causing leakage or rupture. This is approximately 16X of nominal range for A-Series switches. Diaphragm switches subjected to pressures above the nominal range can be permanently damaged.

**Deadband** – The difference between the setpoint and the resetpoint, normally expressed in units of the actuating variable. Sometimes referred to as differential.

**Fixed Deadband** – The difference between the setpoint and the resetpoint of a pressure switch. It further signifies that this deadband is a fixed function of the pressure switch and not adjustable.

**National Electrical Manufacturers Association (NEMA)** – This group has defined several categories of enclosures, usually referred to as “types.” Further, they designate certain features and capabilities each type must include.

**NEMA 4X** – Type 4X enclosures are intended for indoor and outdoor use primarily to provide a degree of protection against corrosion, windblown dust and rain, splashing water, and hose directed water; and to be undamaged by the formation of ice on the enclosure.

**NEMA 7** – Type 7 enclosures are for indoor use in locations classified as Class I, Groups A, B, C, or D, as defined in the National Electrical Code. Type 7 enclosures shall be capable of withstanding the pressures resulting from an internal explosion of specified gases, and contain such an explosion sufficiently that an explosive gas-air mixture existing in the atmosphere surrounding the enclosure will not be ignited. Enclosed heat generating devices shall not cause external surfaces to reach temperatures capable of igniting explosive gas-air mixtures in the surrounding atmosphere.

**NEMA 9** – Type 9 enclosures are intended for indoor use in locations classified as Class II, Groups E, F, or G, as defined in the National Electrical Code. Type 9 enclosures shall be capable of preventing the entrance of dust. Enclosed heat generating devices shall not cause external surfaces to reach temperatures capable of igniting or discoloring dust on the enclosure or igniting dust-air mixtures in the surrounding atmosphere.

**Normal Switch Position** – Contact position before actuating pressure (or variable) is applied. Normally closed contacts open when the switch is actuated. Normally open contacts close when the switch is actuated.

**Normally Closed** – Refers to switch contacts that are closed in the normal switch state or position (unactuated). A pressure change opens the contacts.

**Normally Open Switch** – Refers to the contacts that are open in the normal switch state or position (unactuated). A pressure change closes the contacts.

**Overpressure Rating(s)** – A nonspecific term that could refer to either burst or proof pressure, or both.

**Proof Pressure** – The maximum pressure which may be applied without causing damage. This is determined under strict laboratory conditions including controlled rate of change and temperature: This value is for reference only. Consult factory for applications where switch must operate at pressures above nominal range or reference temperature (70°F).

**Repeatability (Accuracy)** – The closeness of agreement among a number of consecutive measurements of the output setpoint for the same value of the input under the same operating conditions, approaching from the same direction, for full-range traverses. Ashcroft A-series switch repeatability is 2% of nominal range.

**Note:** It is usually measured as non-repeatability and expressed as repeatability in percent of span or nominal range. It does not include hysteresis or deadband.

**Resetpoint** – The resetpoint is the Pressure value where the electrical switch contacts will return to their original or normal position after the switch has activated.

**Setpoint** – The setpoint is the Pressure value at which the electrical circuit of a switch will change state or actuate. It should be specified either on increase or decrease of that variable.

**Single Pole Double Throw (SPDT) Switching Element** – A SPDT switching element has one normally open, one normally closed, and one common terminal. The switch can be wired with the circuit either normally open (N/O) or normally closed (N/C). SPDT is standard with A-series switches.

**Double Pole Double Throw (DPDT) Switching Element** – Two SPDT switching elements both set to actuate or de-actuate at the same set or resetpoint. Each switch one has one normally open, one normally closed, and one common terminal. The switches are independent of each other and can be wired to two independent circuits. The two circuits can either normally open (N/O) or normally closed (N/C).

**Snap Action** – In switch terminology, snap action generally refers to the action of contacts in the switch element. These contacts open and close quickly and snap closed with sufficient pressure to firmly establish an electrical circuit. The term distinguishes products from mercury bottle types that were subject to vibration problems.

**World Headquarters**

Ashcroft Inc.  
250 E. Main Street  
Stratford, CT 06614-5145 U.S.A.  
Tel: (203) 378-8281  
Fax: (203) 385-0408  
email: info@ashcroft.com  
www.ashcroft.com

**International Operations****Brazil**

Willy Instrumentos de Medicao e  
Controle Ltda.  
Rua Joao Pessoa, 620  
09520-000  
Sao Caetano Do Sul-Sao Paulo-Brazil  
Tel: 55-11-4224-7402  
Fax: 55-11-4224-7477  
email: contato@ashcroft.com  
www.ashcroft.com.br

**China**

Ashcroft Instruments (Suzhou) Co., Ltd.  
1508 Lin-hu Avenue  
Ascendas Lin-hu Industrial Square  
Wujiang Fenhu Economic Zone  
Wujiang China, 215211  
Tel: 011-86-512-6326-9101  
Fax: 011-86-512-6326-9106  
www.ashcroft.com

**Germany**

Ashcroft Instruments GmbH  
Postfach 11 20, D-52490  
Baesweiler, Germany  
Max-Planck-Strasse 1, D-52499  
Baesweiler, Germany  
Tel: 49-2401-8080  
Fax: 49-2401-808 125  
email: sales@ashcroft.com  
www.ashcroft.eu

**Mexico**

Ashcroft Instruments Mexico, S.A. de C.V.  
General Mariano Arista No. 54 Nave 8  
Col. Argentina Poniente  
Deleg. Miguel Hidalgo  
11230 Mexico City, Mexico  
Tel: 525-550-82-3030  
Fax: 525-550-82-3027  
email: jmendieta@ashcroft.com.mx

**Saudi Arabia**

AARICO  
P.O. Box 12031  
Jubail Industrial City 31961  
Kingdom of Saudi Arabia  
Tel: 966-3-341-0278  
Fax: 966-3-341-7624  
email: anil@aarico.net  
www.ashcroft-alrushaid.com

**Singapore**

Ashcroft Instruments Singapore Pte. Ltd.  
Block 1004 Toa Payoh North  
#07-15/17  
Singapore 318995  
Tel: 65-6252-6602  
Fax: 65-6252-6603  
email: John.Wong@ashcroft.com.sg

**United Kingdom**

Ashcroft Instruments Limited  
Unit 17 & 18 William James House  
Cowley Road  
Cambridge CB4 0WX  
Tel: 44-0-1223-395500  
Fax: 44-0-1223-395501  
email: sales@ashcroftuk.com

**Venezuela**

Manufacturas Petroleras Venezolanas S.A.  
KM7 Carretera A  
El Mojan Calle 18  
#15B355 Zona  
Ind. Norte Sector Canchancha  
Maracaibo Edo Zulia Venezuela  
Tel: 58-261-757-9070  
Tel: 58-261-742-4372  
Fax: 58-261-757-9461  
email: contactenos@mapvensa.com  
www.mapvensa.com

